

# TUNTURI®

From the **Heart**



## E90

OWNER'S MANUAL	2 - 12
BETRIEBSANLEITUNG	13 - 24
MODE D'EMPLOI	25 - 36
HANDLEIDING	37 - 47
MANUALE D'USO	48 - 59
MANUAL DEL USUARIO	60 - 70
BRUKSANVISNING	71 - 81
KÄYTTÖOHJE	82 - 92



Serial number  
Seriennummer  
Numero de serie  
Seriennummer  
Numero di serie  
Nòmero de serie  
Seriennummer  
Sarjanumero

[www.tunturi.com](http://www.tunturi.com)

# CONTENTS

---

ASSEMBLY	2
ADJUSTMENTS	4
EXERCISING	4
CONSOLE	5
OPERATING THE CONSOLE	6
MAINTENANCE	11
MALFUNCTIONS	11
TRANSPORT AND STORAGE	11
TECHNICAL SPECIFICATIONS	12

---

## WELCOME TO THE WORLD OF TUNTURI EXERCISING!

Your choice shows that you really want to invest in your well being and condition; it also shows you really value high quality and style. With Tunturi Fitness Equipment, you've chosen a high quality, safe and motivating product as your training partner. Whatever your goal in training, we are certain this is the training equipment to get you there. You'll find information about using your exercise equipment and what makes for efficient training at Tunturi's website at [WWW.TUNTURI.COM](http://WWW.TUNTURI.COM).

## IMPORTANT SAFETY INSTRUCTIONS

---

Read this guide through carefully before assembling, using or servicing your fitness equipment. Please keep the guide somewhere safe; it will provide you now and in the future with the information you need to use and maintain your equipment. Always follow these instructions with care.

### NOTE ABOUT YOUR HEALTH

- Before you start any training, consult a physician to check your state of health.
- If you experience nausea, dizziness or other abnormal symptoms while exercising, stop your workout at once and consult a physician.
- To avoid muscular pain and strain, begin each workout by warming up and end it by cooling down (slow pedaling at low resistance). Don't forget to stretch at the end of the workout.

### NOTE ABOUT THE EXERCISE ENVIRONMENT

- The equipment is not to be used outdoors.
- Place the equipment on a firm, level surface. Place the equipment on a protective base to avoid any damages to the floor beneath the equipment.
- Make sure that the exercising environment has adequate ventilation. To avoid catching cold, do not exercise in a draughty place.
- In training, the equipment tolerates an environment measuring +10°C to +35°C. The equipment can be stored in temperatures ranging between -15°C and +40°C. Air humidity in the training or storage environment must never exceed 90%.

### NOTE ABOUT USING THE EQUIPMENT

- If children are allowed to use the equipment, they should be supervised and taught to use the equipment properly, keeping in mind the child's physical and mental development and their personality.
- Before you start using the equipment, make sure that it functions correctly in every way. Do not use faulty equipment.
- Press the keys with the tip of the finger; your nails may damage the key membrane.
- Never lean on the interface.
- Never remove the side covers. Do not step on the frame casing.
- Only one person may use the equipment at a time.
- Hold the handlebar for support when getting on or off the equipment.
- Wear appropriate clothing and shoes when exercising.
- Protect the meter from sunlight and always dry the surface of the meter if there are any drops of sweat on it.
- Further information on warranty terms can be found in the warranty booklet included with the product.
- Please note that the warranty does not cover damage due to shipping or negligence of adjustment or maintenance instructions described in this manual.
- The equipment must not be used by persons weighing over 150 kg.
- Make sure the equipment is unplugged before carrying out any assembly or maintenance procedures.
- Do not attempt any servicing or adjustments other than those described in this guide. Everything else must be left to someone familiar with the maintenance of electromechanical equipment and authorized under the laws of the country in question to carry out maintenance and repair work.

### SAVE THIS INSTRUCTION MANUAL

## ASSEMBLY

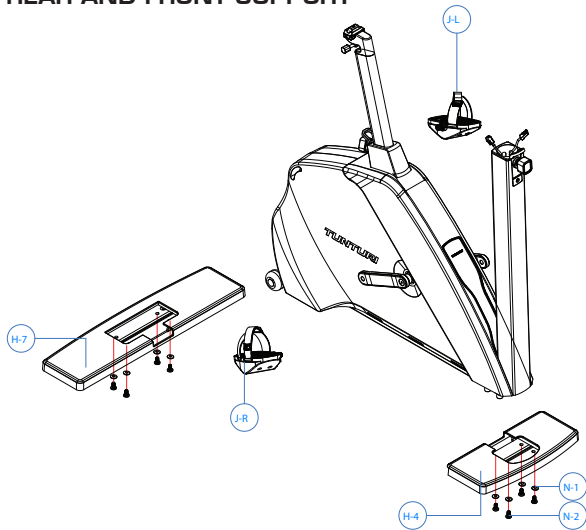
---

Start by unpacking the equipment and check that you have the following parts:

1. Frame
2. Rear and front support
3. Pedals (2 pcs)
4. Handlebar
5. Console
6. Transformer
7. Assembly kit (contents marked with in the spare part list) keep the assembly tools, as you may need them e.g. for adjusting the equipment.

If necessary, please contact your dealer with the model, equipment serial no. and spare part no. of the missing part. You'll find a spare part list at the back of this guide. The packaging includes a silicate bag for absorbing moisture during storage and transportation. Please dispose of the bag once you have unpacked the equipment. The directions left, right, front and back are defined as seen from the exercising position. We recommend that the equipment is installed by two adults.

## REAR AND FRONT SUPPORT



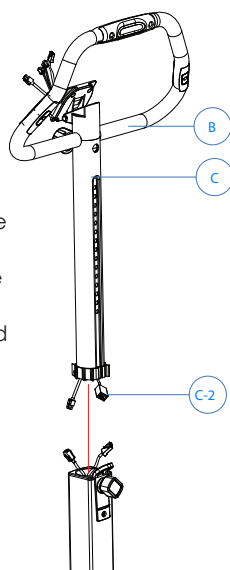
By holding on to the seat, incline the equipment backwards so that it rests on its transportation wheels. Attach the rear support from below with four hexagonal socket head screws and washers. Attach the front support to the frame with four screws and washers. Restore the equipment to its upward position so that it rests on the support feet.

## PEDALS

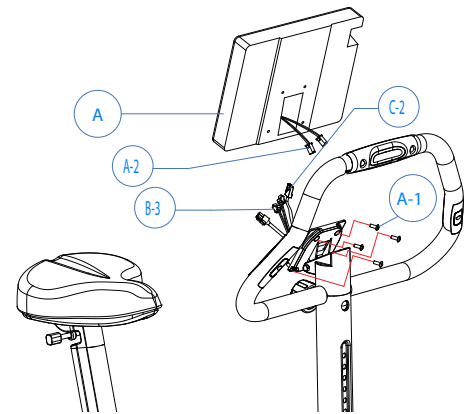
The pedals are distinguished by the markings R (= right) and L (= left) on their shafts. Fasten the right pedal to the right pedal crank turning clockwise and the left pedal to the left pedal crank turning counterclockwise. Fasten the pedal bands first into the retainers at the device. Thread the band through the pedal loop and push the band opening into the projection in the pedal. Fasten the pedal bands to the pedal outside. Push the band through the locking buckle and the band locks automatically. The length of the band can be adjusted with the locking buckle.

## HANDLEBAR

Attach the cable coming from the frame tube to the connector at the bottom of the handlebar. Ensure that the joint is securely locked by gently pulling the wire. Thread the wire carefully inside the frame tube. Open the handlebar locking knob by turning it anticlockwise a few times and then pulling it outwards. Insert the handlebar into the front frame tube. Release the locking knob once the handlebar has reached the required level. Ensure that the handlebar is locked. Secure and tighten the locking knob by turning it clockwise.

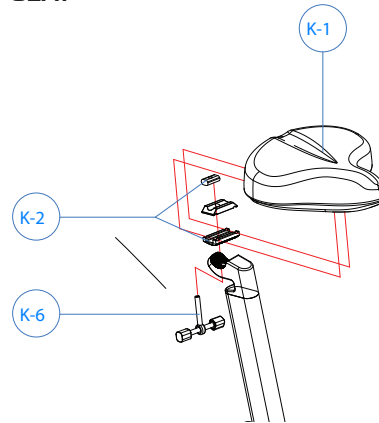


## CONSOLE



Connect the cables from the handlebar to the corresponding connectors of the console. Insert the connected cables into the console, but make sure they are not damaged when the console is attached. Place the meter in position at the end of the handlebar support tube and attach the console using 4 mounting screws.

## SEAT



Loosen the seatholder locking screw and turn the upper locking lever so that it is aligned with the equipment. Place the seat into position on the grooves of the lower locking lever. Turn the upper locking lever towards the top of the seat rails and lock the seat by tightening the locking screw.

## POWER CORD

Plug the socket end of the transformer cord into the connector, just above the rear support in the centre of the frame, and the other end into the wall socket. To prevent damage to the connector, we recommend you tie the cord to the transportation wheel support next to the connector.

## ADJUSTMENTS

Set the right height for you; the basic rule is that the arch of the foot reaches the pedal at its lowest point with the leg almost straight. Adjust the seat height by loosening the seat locking knob. Hold on to the seat with one hand and, using your other hand, pull the locking knob outwards in order to enable free seat tube movement upwards and downwards. Once the height is right, let go of the knob and the seat locks into place. Turn the locking knob clockwise to tighten.

**! NOTE!** Always make sure that the locking knob is properly fastened before starting to exercise!

To adjust the horizontal seat position forward and back, loosen the locking screws under the seat. You can also adjust inclination from here. Release the seat lock by turning the locking lever located under the seat anticlockwise. Adjust the seat to the desired position and tighten the locking lever by turning it clockwise.

### HANDLEBAR SETUP

Loosen the locking screw on the front of the handlebar support and find the right angle at which to position the handlebar. Tighten the locking screw. The design of the handlebar allows you to exercise either in an upright position or with the upper body leaning forward. Remember, however, always to keep your back straight.

Adjust the handlebar height by loosening the locking knob on the handlebar support tube. Pull the locking knob outwards so that the handlebar can be moved freely up and down. Release the knob once the handlebar is at the required height. The handlebar support tube will click into place. Tighten the locking knob by turning it clockwise.

### CONSOLE INCLINATION ADJUSTMENT

Set the inclination of the meter so that it corresponds to your height and exercise position.

### ADJUSTMENT OF SUPPORT FEET

If the equipment is not stable, adjust the adjustment screws below the support feet as necessary.

## EXERCISING

Working out with this device is excellent aerobic exercise, the principle being that the exercise should be suitably light, but of long duration. Aerobic exercise is based on improving the body's maximum oxygen uptake, which in turn improves endurance and fitness. The ability of the body to burn fat as a fuel is directly dependent on its oxygen-uptake capacity. Aerobic exercise should be above all pleasant. You should work up a light sweat but you should not get out of breath during the workout.

You should exercise at least three times a week, 30 minutes at a time, to reach a basic fitness level. Maintaining this level requires a few exercise sessions each week. Once the basic condition has been reached, it is easily improved, simply by increasing the number of exercise sessions. You should start slowly at a low pedalling speed and low resistance, because for an overweight person strenuous exercise may subject the heart and circulatory system to excessive strain. As fitness improves, resistance and pedalling speed can be increased gradually.

### HEART RATE

No matter what your goal, you'll get the best results by training at the right level of effort, and the best measure is your own heart rate.

### HEART RATE MEASUREMENT WITH HANDGRIP SENSORS

Heart rate is measured using the sensors located on the handlebars. The sensors measure electric impulses, which are formed when the person's heart is beating.

Measurement is started by touching both handlebar sensors simultaneously. To ensure reliable pulse measurement, skin must be slightly moist and skin contact with sensors must be continuous. If skin is too dry or too wet, the hand pulse measurement operation is less reliable. Try to keep your upper body and palms relaxed and still.

### TELEMETRIC HEART RATE MEASUREMENT

The most reliable heart rate measurement is achieved with a telemetric device, in which the electrodes of the transmitter fastened to the chest transmit the pulses from the heart to the console by means of an electromagnetic field.

**! NOTE!** If you are fitted with a pacemaker, please consult a physician before using a wireless heart rate monitor.

If you want to measure your heart rate this way during your workout, moisten the grooved electrodes on the transmitter belt with saliva or water. Fasten the transmitter just below the chest with the elastic belt, firmly enough so that the electrodes remain in contact with the skin while exercising, but not so tight that normal breathing is prevented. If you wear the transmitter and belt over a light shirt, moisten the shirt slightly at the points where the electrodes touch the shirt. The transmitter automatically transmits the heart rate reading to the console up to a distance of about 1 m.

If the electrode surfaces are not moist, the heart-rate reading will not appear on the display. If the electrodes are dry, they must be moistened again. Allow the electrodes warm up properly to ensure accurate heart rate measurement. If there are several telemetric heart rate measurement devices next to each other, the distance between them should be at least 1.5 m. Similarly, if there is only one receiver and several transmitters in use, only one person with a transmitter should be within transmission range. The transmitter is switched to an active state only when it is being used for measurement. Sweat and other moisture can, however, keep the transmitter in an active state and waste battery energy. Therefore it is important to dry the electrodes carefully after use.

When selecting training attire, please note that some fibers used in clothes (e.g. polyester, polyamide) create static electricity, which may prevent reliable heart rate measurement. Please note that a mobile phone, television and other electrical appliances form an electromagnetic field around them, which will cause problems in heart rate measurement. First find your maximum heart rate i.e. where the rate doesn't increase with added effort. If you don't know your maximum heart rate, please use the following formula as a guide:

### 220 - AGE

These are average values and the maximum varies from person to person. The maximum heart-rate diminishes on average by one point per year. If you belong to a risk group, ask a doctor to measure your maximum heart rate for you.

We have defined three different heart-rate zones to help you with targeted training.

**BEGINNER:** 50-60 % of maximum heart-rate

Also suitable for weight-watchers, convalescents and those who haven't exercised for a long time. Three sessions a week of at least a half-hour each is recommended. Regular exercise considerably improves beginners' respiratory and circulatory performance and you will quickly feel your improvement.

**TRAINER:** 60-70 % of maximum heart-rate

Perfect for improving and maintaining fitness. Even reasonable effort develops the heart and lungs effectively, training for a minimum of 30 minutes at least three times a week. To improve your condition still further, increase either frequency or effort, but not both at the same time!

**ACTIVE TRAINER:** 70-80 % of maximum heart-rate

Exercise at this level suits only the fittest and presupposes long-endurance workouts.

## CONSOLE



### KEYS (on the side)

Power button  
Volume up/down  
Brightness up/down

### TOUCH SCREEN

This monitor is provided with a Touch Screen. Simply touch the buttons on the screen softly with your finger. Do not press the screen, as it might damage the touch screen function. Avoid contacting the screen with sharp objects.

### MEDIA

This monitor supports 2 USB ports (FAT/FAT32 format), for playing media files. Supported file types: MP3, AAC (MP4), Ogg Vorbis, WAV, MPEG-1, Ogg Theora, AVI, MKV, Ogg, MOV. Playback of DRM protected files is not supported.

Also an iPod/iPhone (30 pin) connector is present, which can connect most Apple products. You can use the Media button to browse and play the music found on your iPod/iPhone. Video cannot be played through this connection. You can access the music files of your iPod/iPhone in the folder user/Apple.

**NOTE:** this monitor offers the possibility to connect your iPod/Phone, Tunturi is not liable for any damages done to your iPod/iPhone due to connecting in both hardware and software.

### ON SCREEN BUTTONS

#### 1. TRAINING

Press the TRAINING button to choose your workout.

#### 2. USER

Press the USER button to open the USER menu. The USER menu includes the following functions: CREATE USER, SELECT/CHANGE USER, EDIT USER, DELETE USER, SETTINGS and USER LOG.

#### 3. INTERNET

Press this button to browse the internet (only if wireless connection available).

#### 4. E-Book reader

Press this button to open the E-Book reader. The monitor recognizes E-Books which are stored on your USB stick. Readable formats are: ePub, FictionBook (fb2), Plucker, Open E-Book, Open Reader, Palmdoc, Psion Text, Mobipocket, plain text.

#### 5. WIFI SETTINGS

With this button you can setup your network connection. See the chapter INTERNET for details.

#### 6. BACK/STOP

Use the BACK/STOP button to navigate back towards the main menu. During training, you can stop or pause your training session by pressing the BACK/STOP button.

#### 7. ZOOM

Focusing the graphical profile display during training. Press ZOOM to increase the size of the displayed profile image (two-, four-, eight- or sixteen fold). Pressing the key five times restores the profile image to its original size.

#### 8. KEYBOARD

Press this button to show or hide the on-board keyboard.

#### 9. MEDIA BUTTON

Press the media button to open the media player. The player automatically detects movies (MPEG-1 format), and music (MP3, WMV, WAV), you can select and play the content of your USB stick.

### DISPLAY

During training, you can see the following training values on the left side of the display: time, distance, energy consumption, effort, RPM, heart rate and speed.

## OPERATING THE CONSOLE

### Power On

To activate the meter, connect the device to a power source, and press the power key on the side of the monitor. The meter will now display the TRAINING menu.

## Sleep mode

If you do not press a key, or pedal for more than 5 minutes, the meter automatically goes in screensaver mode. Touch the screen to activate the monitor again.

## Power Off

To turn off the machine, hold the Power key on the side of the monitor for several seconds, and disconnect the power adapter from the machine.

The values in a workout that has been interrupted are saved in the memory of the user interface for 5 minutes, after which they are reset. You can restart the interrupted exercise by pedaling within 5 minutes.

On the display, you can see advice messages. They are preceded by the letter i on a white background. You can remove the messages from the display by using the slider.

## USER MENU

You can access the USER menu by pressing the USER button. We recommend that you choose a user code and save your personal details: these details are needed e.g. for a more accurate estimation of your energy consumption. At the same time, you can set the units to be displayed and check the total training values. If you select a username, you can save your training session and display your personal heart rate levels in different colors when training according to your heart rate. Once you have created a username or started to use an existing username, you can see it at the top right corner of the display. You can also exercise without a username. If you do this, a username will not be shown on the top right of the display, and the default settings (45 years, 70 kg, male) will be used for your training session. You can save user data for up to 20 different users.

**! IMPORTANT!** If you wish to view your personal training sessions saved on the USER LOG, always remember to select your own username. You can also start using a username in the middle of your training session by pressing the USER button and then selecting your own username. Your training session will not be interrupted. After selecting your username, you can return to the training data by pressing the BACK/STOP button.

**! IMPORTANT!** If you want to save your training session, you must select a username.

## CREATE USER

To create a user:

1. Press the USER button. The USER menu appears.
2. Select CREATE USER by scrolling the list. Confirm your selection by pressing the selection bar.
3. Select a language by scrolling the list and confirm your selection by pressing the selection bar.
4. Enter your name with the keyboard, and confirm with Enter.
5. Select the units you wish to use. (Metric 1 (kg, km, Kcal), Metric 2 (kg, km, kJ), or the corresponding imperial units Imperial 1 (lb, mi, kcal), Imperial 2 (lb, mi, kJ)). Make your selection by scrolling the list, and confirm by pressing the selection bar. You will automatically be taken to the next setting.
6. Select the target display for the set values. COUNT DOWN shows the values as they decrease from your target toward zero. COUNT UP shows the values as they increase toward your target. Confirm your selection by pressing the selection bar. You will be taken to the next setting.

7. Set your gender by scrolling the list.

Confirm your selection.

8. Set your age by using the Slider. Confirm your selection.

9. Set your height. Confirm your selection.

10. Set your weight. Confirm your selection.

11. Set your maximum heart rate. The meter calculates your estimated maximum heart rate using the formula  $220 - \text{age}$ . If you know your exact maximum heart rate, you can adjust the estimated maximum heart rate given by the meter.

12. Set your anaerobic threshold. The equipment uses your maximum heart rate to calculate an estimate of your threshold heart rate (80% of your maximum heart rate). If you know your exact anaerobic threshold heart rate, you can adjust the estimate given by the meter.

13. Set the aerobic threshold. The equipment uses your maximum heart rate to calculate an estimate of your threshold heart rate (60% of your maximum heart rate). If you know your exact aerobic threshold heart rate, you can adjust the estimate given by the meter.

**! IMPORTANT!** The meter can store up to 20 usernames at a time.

## SELECT/CHANGE USER

Once you have created a username for yourself, select it at the beginning of your training session by choosing SELECT/CHANGE USER and confirm by pressing the selection bar.

## EDIT USER

By selecting EDIT USER you can edit your user data..

## DELETE USER

By selecting DELETE USER you can delete the currently selected user.

## SETTINGS

By selecting SETTINGS you can update the meter firmware version, adjust the display contrast, see the cycle's total values and turn the button sounds on or off.

## USER LOG

By selecting the USER LOG you can view the training data of the selected user. You can view either the last training session data or a summary of all the user's sessions. Exit the training data by pressing BACK/ STOP.

## TRAINING MENU

You can access the TRAINING menu by pressing the TRAINING button. From the TRAINING menu, you can select one of the following training sessions by scrolling the list, and then press the selection bar.

## QUICK START

This program allows you to start the MANUAL program without using user settings.

1. Select QUICK START. Confirm the selection by pressing the selection bar and start your training session by pedaling.
2. You can increase or decrease the resistance (1-58 Nm) using the slider on the right.
3. To stop the training session, press the BACK/STOP button. You can then stop the session by selecting EXIT, save the session to the memory by selecting SAVE AND EXIT or continue your training session by selecting CONTINUE.

## MANUAL

Allows you to set your effort level with the slider during the workout.

1. Select MANUAL.
2. Using the slider, choose your target value for the session: time, distance or energy consumption. Confirm your selection by pressing the select button.
3. Set the target value for the session using the slider: set time (10-180 minutes), distance (3-100 km) or energy consumption (50-2000 kcal). Confirm your selection by pressing the select button.
4. Start your training session by pedaling. You can increase or decrease the resistance (1-58 Nm) using the slider. During training, you can display resistance or heart rate using button at the bottom of the screen.
5. Once the target value has been achieved, the meter gives an audio signal. You can continue with your exercise if you wish.
6. To stop the training session, press the BACK/STOP button. You can then stop the session by selecting EXIT, save the session to the memory by selecting SAVE AND EXIT or continue your training session by selecting CONTINUE.

## TARGET HR

This program allows you to preset your pulse level, i.e. the resistance is regulated so that your pulse remains at the requested level. If the pulse tends to rise, resistance is reduced automatically and vice versa. The set value can be changed also during the workout. The program requires measurement of heart rate.

1. Select your TARGET HR.
2. Set the heart rate level (80-220) for the training session using the slider. Confirm your selection.
3. Using the slider, choose your target duration for the session measured in time, distance or energy consumption. Confirm your selection by pressing the select button.
4. Set the target value for the session using the slider: set time (10-180 minutes), distance (3-100 km) or energy consumption (200-8000 kcal). Confirm your selection by pressing the select button.
5. Start your training session by pedaling. Using the slider, you can change the heart rate level (80-220). During training, you can display resistance or heart rate using the button at the bottom of the screen.
6. Once the target value has been achieved, the meter gives an audio signal. You can continue with your exercise if you wish.
7. To stop the training session, press the BACK/STOP button. You can then stop the session by selecting EXIT, save the session to the memory by selecting SAVE AND EXIT or continue your training session by selecting CONTINUE.

## WATT CONTROL

By selecting the WATT CONTROL program, you can set the desired effort value in watts, i.e. pedalling effort will be independent of pedal rotations. The set effort value can also be changed during the workout.

1. Select WATT CONTROL.
2. Set the heart rate level (80-220) for the training session using the slider. Confirm your selection.
3. Using the slider, choose your target duration for the session measured in time, distance or energy consumption. Confirm your selection by pressing the select button.
4. Set the target value for the session using the slider: set time (10-180 minutes), distance (3-100 km) or energy

consumption (200-8000 kcal). Confirm your selection by pressing the select button.

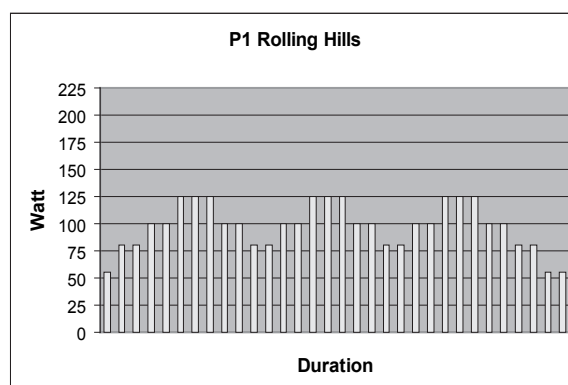
5. Start your training session by pedaling. Using the slider, you can change the heart rate level (80-220). During training, you can display resistance or heart rate using the button at the bottom of the screen.
6. Once the target value has been achieved, the meter gives an audio signal. You can continue with your exercise if you wish.
7. To stop the training session, press the BACK/STOP button. You can then stop the session by selecting EXIT, save the session to the memory by selecting SAVE AND EXIT or continue your training session by selecting CONTINUE.

## PROGRAMS

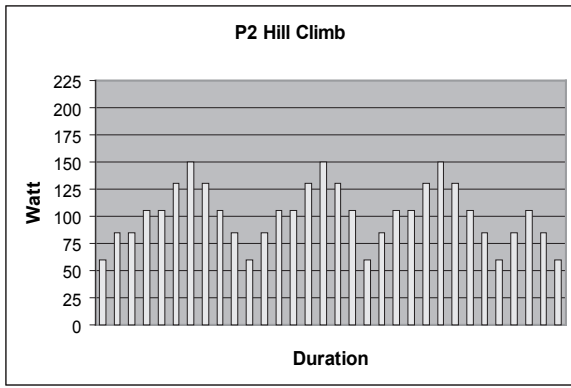
This program contains ready-made training profiles. The program changes automatically the intensity level during your workout. The display shows the profile and the changes, and the intensity can be manually adjusted.

1. Select PROGRAMS.
2. Select a program (1-10) by using the list and pressing the Selection bar. Profiles P1-P5 are watt control programs and P6-P10 are target heart rate programs requiring heart rate measurement. Confirm your selection.
3. Set your target duration for the session measured in time or distance. Confirm your selection.
4. Set the target value for the session: time (10-180 minutes) or distance (3-100 km). Confirm your selection.
5. Start the program by pedaling. You can increase or decrease the resistance using the slider. During training, you can display effort or heart rate. The heart rate display requires heart rate measurement.
6. Once the target value has been achieved, the meter gives an audio signal. You can continue with your exercise if you wish.
7. To stop the training session, press the BACK/STOP button. You can then stop the session by selecting EXIT, save the session to the memory by selecting SAVE AND EXIT or continue your training session by selecting CONTINUE.

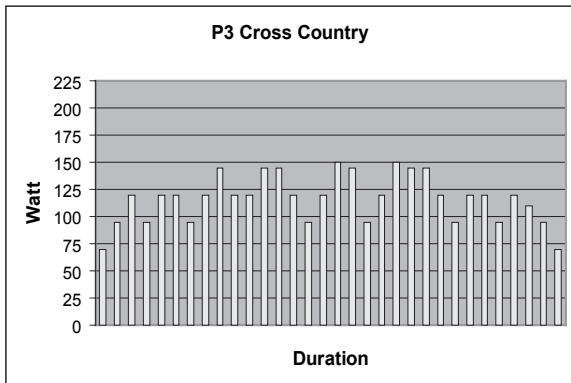
**PROFILE P1.** 3-peak effort profile for the improvement of oxygen uptake capacity. With relatively low yet long lasting peaks, this profile is suitable for beginners. With default setting, max. watt value is 125, average watt value is 98.



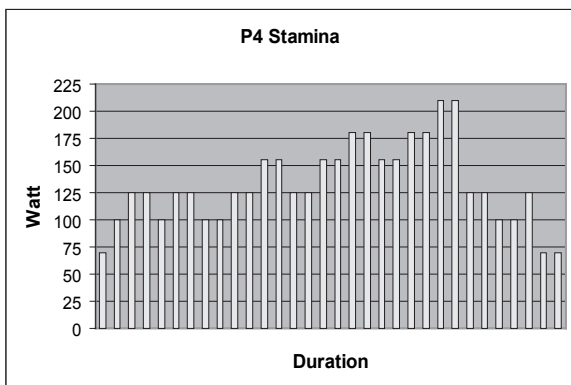
**PROFILE P2.** 3-peak effort profile for the improvement of oxygen uptake capacity. With peaks relatively short in duration, this profile is suitable for beginners. With default setting, max. watt value is 150, average watt value is 102.



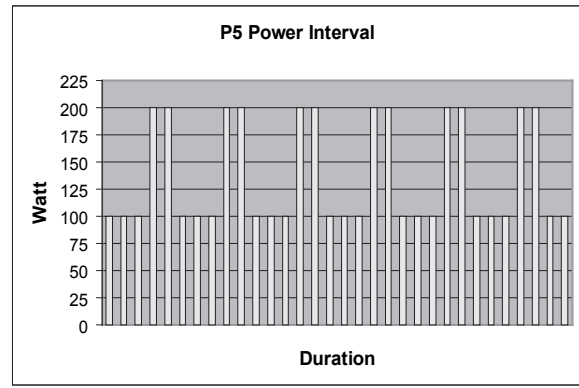
**PROFILE P3.** Multi-peak effort profile for the improvement of explosive strength. Peaks are relatively short in duration, and the level of effort varies irregularly. This profile is suitable for all fitness levels. With default setting, max. watt value is 150, average watt value is 117.



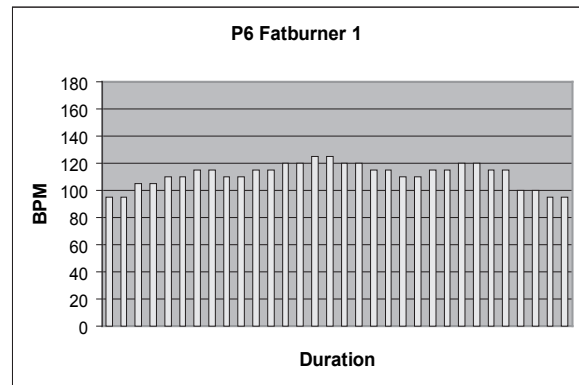
**PROFILE P4.** Uphill effort profile for the improvement of endurance fitness. Peaks are relatively longlasting, increasing in intensity until the closing phase of the profile. This profile is specifically suitable for the physically fit. With default setting, max. watt value is 210, average watt value is 133.



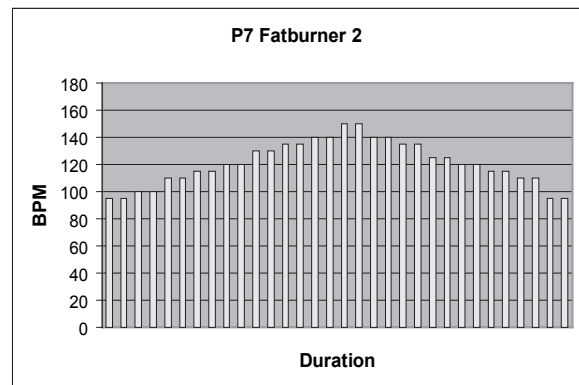
**PROFILE P5.** Interval effort profile with regular changes and a clear difference between peaks and the basic level of effort. The default values are preset to an average effort of 138 W and a maximum effort of 200 W. Please note that this profile allows you to separately adjust the peaks and the basic level of effort.



**PROFILE P6.** 3-peak heart rate profile for the improvement of oxygen uptake capacity. With relatively longlasting peaks, this profile is suitable for beginners. With default setting, max. HR value is 125, average HR is 112.

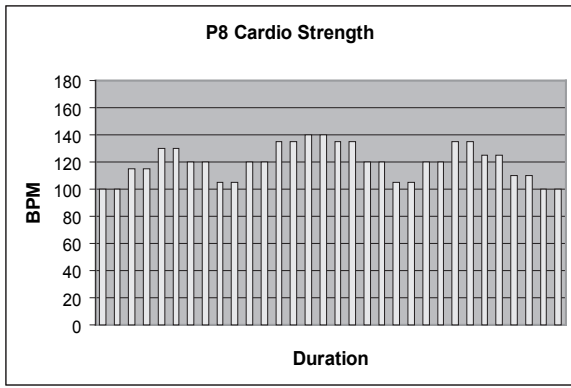


**PROFILE P7.** Uphill heart rate profile where the heart rate increases steadily until the midpoint of the profile, steadily decreasing thereafter. This profile is suitable for beginners. With default setting, max. HR value is 150, average HR is 121.

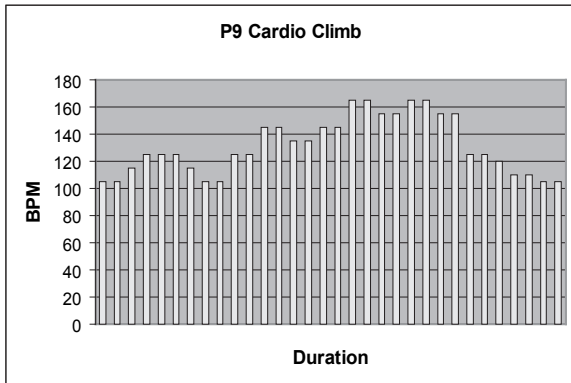


**PROFILE P8.** 3-peak heart rate profile for the improvement of endurance fitness. Peaks are relatively longlasting, but the heart rate level remains fairly constant throughout. This profile is suitable for all fitness levels. With default setting, max. HR value is 140, average HR is 120.

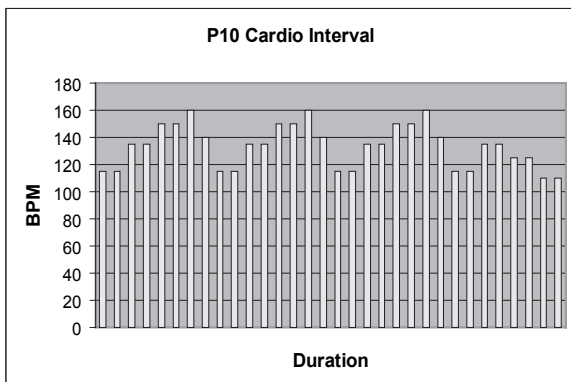




**PROFILE P9.** Uphill heart rate profile for the improvement of endurance fitness. Peaks are relatively longlasting, increasing in intensity until the closing phase of the profile. This profile is specifically suitable for the physically fit. With default setting, max. HR value is 170, average HR is 131.



**PROFILE P10.** 3-peak heart rate profile for the improvement of oxygen uptake capacity. Peaks are relatively longlasting, with each followed by a steady recovery period. This profile is specifically suitable for the physically fit. With default setting, max. HR value is 160, average HR is 133.



## T-RIDE

T-RIDE TRAINING simulates riding a bike on a natural terrain. During training, you can change gears using the slider and watch the altitude profile.

1. Select T-RIDE.
2. Select the terrain and confirm your selection.
3. Set the starting point by touching the profile, and confirm by pressing the button.
4. Set the ending point for the session by touching the profile, and confirm by pressing the button.
5. Start your training session by pedaling. You can change gears (1–8) using the slider. During training, you can display altitude profile or heart rate. The heart rate display requires heart rate measurement.
6. Once you have completed the route, the meter beeps and the training session ends.
7. To stop the training session, press the BACK/STOP button. You can then stop the session by selecting EXIT, save the session to the memory by selecting SAVE AND EXIT or continue your training session by selecting CONTINUE.

## T-ROAD

**! IMPORTANT:** You can only carry out a T-ROAD training session when the memory stick is inserted in the meter. T-ROAD is similar to T-RIDE, but during a T-ROAD training session, you can also see your progress on a video. During training, you can display the altitude profile or video using the selection dial.

## T-MUSIC

**! IMPORTANT:** You can only carry out a T-MUSIC training session when the memory stick is inserted in the meter. T-MUSIC programs are controlled by heart rate. During training, the music tempo changes according to the effort level of the training session. The duration of the T-MUSIC program is 40 minutes. You cannot change the selected heart rate level during training. The program requires measurement of heart rate.

1. Select T-MUSIC.
2. Select a program (1–3) by scrolling the list. Confirm your selection by pressing the selection bar.
3. Start the program by pedaling. During training, you can display effort or heart rate using the button at the bottom of the screen.
4. After 40 minutes, the meter beeps and the training session ends.
5. To stop the training session, press the BACK/STOP button. You can then stop the session by selecting EXIT, save the session to the memory by selecting SAVE AND EXIT or continue your training session by selecting CONTINUE.

## OWN TRAINING

You can create and save up to 100 training programs on the meter.

### SAVING A PROGRAM

1. End your training session by pressing BACK/STOP.
2. Select SAVE AND EXIT and confirm your selection.
3. Enter a name for the training session and press enter.

**! IMPORTANT!** You can only save programs that are longer than 10 minutes.

**! IMPORTANT!** To save a training session you will need to select a username.

## USING SAVED PROGRAMS

1. Select OWN TRAINING.
2. Select a training session from the list.

3. Select the desired execution method:
  - A) Replay = repeat a previously saved exercise.
  - B) Edit = edit the duration of a previously saved exercise before you start.
  - C) Race = compete against a previously saved workout. NOTE! You can only use program profiles created in the Manual function. These profiles show effort as a constant torque (Nm).
4. Confirm your selection by pressing the select button.
  - A) Replay = start pedaling to begin the exercise. You can adjust the effort level with the slider.
  - B) Edit = select the duration of the exercise with the slider (set the time to 10-180 minutes). Start pedaling to begin the exercise. You can adjust the effort level with the slider.
  - C) Race = scroll the list to select the race mode (time: the distance you can pedal in a given time; or distance: how fast you can cover a given distance) and confirm your selection using the select button. The display shows a previously saved program. Start pedaling to begin the race. The dashed line on the display shows whether you are ahead or behind the benchmark training session, which is the most recently saved training session using this program. The distance to the previously saved session is also displayed: the previously saved training session is shown with a light blue vertical dash line, and your race effort is shown with a black vertical dash line.
5. To stop the training session, press the BACK/STOP button. You can then stop the session by selecting EXIT, save the session to the memory by selecting SAVE AND EXIT or continue your training session by selecting CONTINUE.

## FITNESS TEST

The meter uses a multi-step fitness test. The test begins at a low level of effort, which increases steadily in accordance with the selected test type. A multi-step test is a safe and reliable, submaximal means of measuring a person's physical fitness level. The test continues until the test subject has achieved his or her individual target heart rate (85% of maximum heart rate). The test requires the use of a heart rate belt: the meter monitors changes in the heart rate throughout the test, using the data to calculate an estimate of the tested person's maximum oxygen uptake capacity. The maximum oxygen uptake capacity is the best measure of a person's physical fitness level. After the test, the meter gives versatile information on your fitness level: a description and a numerical value (ml/kg/min).

## PREPARING FOR THE TEST

1. Make sure that the data associated with your username is updated – the meter uses the user data as a basis for the fitness test.
2. Select FITNESS TEST.
3. Scroll the list to select the most suitable fitness category for you:
  - A) Inactive = no regular exercise, poor physical condition
  - B) Active = regular exercise, average or good physical condition
  - C) Athletic = active training, good or excellent physical condition
4. The display shows the appropriate test type for each fitness category:
  - A) Step time = duration of different effort levels in the test
  - B) First step = initial effort level
  - C) Step power = effort level of steps (in watts), the test features several steps
5. Confirm your selection by pressing the select button.
6. If necessary, you can adjust your target heart rate value

using the slider. Confirm your settings using the select button.

7. The display informs you that you can stop the test once you reach the target heart rate for the test. Start the test by pressing the button.

## PERFORMING THE TEST

1. The display shows the selected test step type. Start pedaling to begin the test. A red diagram that updates as you progress in the test represents your heart rate. A discontinuous line in red indicates your target heart rate.
2. Once the target heart rate level has been achieved, the meter gives an audio signal and displays a message. We recommend that you end the test here, unless you are relatively fit. If you have set your target heart rate correctly (that is, if you have calculated your maximum heart rate accurately enough), continuing the test beyond this point will not increase the accuracy of the result. If you overestimate your maximum heart rate, your fitness level will be overestimated. Similarly, if you underestimate your maximum heart rate, your fitness level will be underestimated.
3. To stop the test once you reach the target heart rate level, press the BACK/STOP button or stop pedaling. The meter will now switch to the test result display:

- A) Aerobic fitness = an estimate of your fitness level in your regular effort zone, which gives the best indication of the state of your health-related fitness.
- B) MET value = a reading that shows the multiple of your maximum oxygen uptake at complete rest.
- C) ml/kg/min = a reading that tells how many milliliters of oxygen per kilogram of body weight per minute your body consumes.
- D) l/min = a reading that tells your oxygen uptake in liters per minute. Unlike the above values, l/min does not take account of the user's body weight.
- E) Wmax = an estimate of your maximal exercise power, measured in watts.
- F) W/kg = the ratio of your maximal exercise power to your weight.

MEN / MAXIMAL OXYGEN UPTAKE (VO2MAX)							
1 = VERY POOR - 7 = EXCELLENT							
AGE	1	2	3	4	5	6	7
18-19	<33	33-38	39-44	45-51	52-57	58-63	>63
20-24	<32	32-37	38-43	44-50	51-56	57-62	>62
25-29	<31	31-35	36-42	43-48	49-53	54-59	>59
30-34	<29	29-34	35-40	41-45	46-51	52-56	>56
35-39	<28	28-32	33-38	39-43	44-48	49-54	>54
40-44	<26	26-31	32-35	36-41	42-46	47-51	>51
45-49	<25	25-29	30-34	35-39	40-43	44-48	>48
50-54	<24	24-27	28-32	33-36	37-41	42-46	>46
55-59	<22	22-26	27-30	31-34	35-39	40-43	>43
60-65	<21	21-24	25-28	29-32	33-36	37-40	>40

<b>WOMEN / MAXIMAL OXYGEN UPTAKE (VO2MAX)</b>							
<b>1 = VERY POOR - 7 = EXCELLENT</b>							
<b>AGE</b>	<b>1</b>	<b>2</b>	<b>3</b>	<b>4</b>	<b>5</b>	<b>6</b>	<b>7</b>
18-19	<28	28-32	33-37	38-42	43-47	48-52	>52
20-24	<27	27-31	32-36	37-41	42-46	47-51	>51
25-29	<26	26-30	31-35	36-40	41-44	45-49	>49
30-34	<25	25-29	30-33	34-37	38-42	43-46	>46
35-39	<24	24-27	28-31	32-35	36-40	41-44	>44
40-44	<22	22-25	26-29	30-33	34-37	38-41	>41
45-49	<21	21-23	24-27	28-31	32-35	36-38	>38
50-54	<19	19-22	23-25	26-29	30-32	33-36	>36
55-59	<18	18-20	21-23	24-27	28-30	31-33	>33
60-65	<16	16-18	19-21	22-24	25-27	28-30	>30

### MEMORY STICK

The memory stick includes all T-ROAD and T-MUSIC programs and some of the T-RIDE programs. IMPORTANT: The programs on the memory stick can only be executed when the memory stick is inserted in the meter's connector.

### INTERNET

Setting up an internet connection.

1. Press the Wi-Fi button to set your Wi-Fi.
2. Select either an existing network from the list, or choose 'Manual setup' for setting up a new network connection. Note: The monitor does not support wireless networks with hidden SSID
3. Enter the name of the network
4. Select a security type  
(For explanation of security types, check with your Wireless access point.)
5. Enter the correct security key (Password). Please note, these are Case sensitive.
6. Select the connection mode: Manual or Automatic connection.

If you have any problem with your connection, please check with your Internet Provider for details.

#### WARNING:

Please check your Internet subscription. Depending on the type of contract might have to pay per data transferred, or time limit. If you select Automatic connection, this will create a constant connection which might lead to high data usage. You can choose Manual mode to manually select to connect. Please note to disconnect your Wi-Fi when you stop training, because in sleep mode connection is still active. Tunturi is not liable for any costs made with the Internet connection, we only provide means to connect to existing networks, regardless of any fees

### Using Internet

The browser on the monitor can only be used to browse the internet. Limited files can be downloaded and used on the monitor (approx. 80 Mb). Only media files can be used. Please note that this browser is not compatible with Flash movies, and cannot show Flash content.

### Disclaimer

Please be aware that the use of internet (browsing and downloading) as well as using external devices (USB/ iPod) has certain risks for the monitor. Tunturi is not liable

for any damages caused by the use of internet and external devices, nor for any viruses, spyware or malware as a result of that. Always use trusted websites and check your external devices for viruses/spyware/malware before using them on the monitor.

### SOFTWARE UPDATE

We are continuously striving to improve our quality. Please check regularly on our website [www.tunturi.com](http://www.tunturi.com) to see if there is any software update to improve the functioning and performance of your monitor.

## MAINTENANCE

The equipment requires very little maintenance. Check, however, from time-to-time that all screws and nuts are tight.

- After exercising, clean the equipment with a soft, absorbent cloth. Do not use solvents.
- Never remove the equipment's protective casing.

The electromagnetic brake forms a magnetic field that may damage the mechanism of a watch, or the magnetic identification strip on a credit or cash card, should they come into immediate contact with the magnets. Never attempt to detach or remove the electromagnetic brake!

The electromagnetic brake is based on electromagnetic resistance; resistance level is electronically measured and shown as watt reading on the display. Due to the measurement system, your Tunturi ergometer need not be re-calibrated when assembled, serviced and used according to this Owner's Manual.

## MALFUNCTIONS

Despite continuous quality control, defects and malfunctions caused by individual components may occur in the equipment. In most cases it's unnecessary to take the whole device in for repair, as it's usually sufficient to replace the defective part.


If the equipment does not function properly during use, contact your Tunturi dealer immediately. Always give the model and serial number of your equipment. Please state also the nature of the problem, conditions of use and purchase date.

If you require spare parts, always give the model, serial number of your equipment and the spare part number for the part you need. The spare part list is at the back of this manual. Use only spare parts mentioned in the spare part list.


# TRANSPORT AND STORAGE

---

Please follow these instructions when carrying and moving the cycle about, because lifting it incorrectly may strain your back or risk other accidents:

 **NOTE!** Always switch the power off and unplug the power cord before you start moving the equipment around!

Stand behind the equipment. Grip the seat with one hand and the handlebar with the other, and set your foot on the rear support. Tilt the equipment so that it rests on its transport wheels. Wheel the equipment to move it, on these transport wheels. Lower the equipment while holding on to the handlebar and remain behind the equipment all the time.

 **NOTE!** Transport the equipment with caution over uneven surfaces, for example over a step. The equipment should never be transported upstairs using the wheels over the steps, instead it must be carried. We recommend that you use a protective base when transporting the equipment.

To prevent the equipment malfunctioning, store in a dry place with as little temperature

# TECHNICAL SPECIFICATIONS


---

Length	99 cm
Width	70 cm
Height	116 cm
Weight	46 kg

This product meets the requirements of the EU's EMC Directives on electromagnetic compatibility (89/336/EEC) and electrical equipment designed for use within certain voltage limits (73/23/EEC). This product therefore carries the CE label.

This product meets EN precision and safety standards (Class SA, EN-957, parts 1 and 5).

Due to our continuous policy of product development, Tunturi reserves the right to change specifications without notice.

 **NOTE!** The instructions must be followed carefully in the assembly, use and maintenance of your equipment. The warranty does not cover damage due to negligence of the assembly, adjustment and maintenance instructions described herein. Changes or modifications not expressly approved by Accell Fitness will void the user's authority to operate the equipment!

**WE WISH YOU MANY ENJOYABLE TRAININGS WITH YOUR NEW TUNTURI TRAINING PARTNER!**

# INHALT

MONTAGE	13
EINSTELLUNGEN	15
TRAINIEREN MIT TUNTURI	16
COCKPIT	16
BETRIEB DES COCKPITS	17
WARTUNG	24
BETRIEBSSTÖRUNGEN	24
TRANSPORT UND LAGERUNG	24
TECHNISCHE DATEN	24

## HERZLICH WILLKOMMEN IN DER WELT DES TRAINIERENS MIT TUNTURI!

Durch Ihren Kauf haben Sie bewiesen, dass Ihnen Ihre Gesundheit und Ihre Kondition viel wert sind; auch haben Sie gezeigt, dass Sie Qualität zu schätzen wissen. Mit einem Tunturi-Fitnessgerät haben Sie sich für ein hochwertiges, sicheres und motivierendes Produkt als Trainingspartner entschieden. Welches Ziel Sie auch immer mit Ihrem Training verfolgen, wir sind sicher, dass Sie es mit diesem Fitnessgerät erreichen. Hinweise zu Ihrem Trainingsgerät und zum effektiven Training damit finden Sie auf der Internetseite von Tunturi [WWW.TUNTURI.COM](http://WWW.TUNTURI.COM).

## WICHTIGE SICHERHEITSHINWEISE

Dieses Handbuch ist ein wesentlicher Bestandteil Ihrer Trainingsausrüstung. Lesen Sie dieses Handbuch bitte sorgfältig durch, bevor Sie Ihr Trainingsgerät montieren, mit ihm trainieren oder es warten. Bitte bewahren Sie dieses Handbuch; es wird Sie jetzt und zukünftig darüber informieren, wie Sie Ihr Gerät benutzen und warten. Befolgen Sie diese Anweisungen immer sorgfältig.

- Vor Beginn eines Trainingsprogrammes einen Arzt konsultieren.
- Bei Übelkeit, Schwindelgefühl oder anderen anomalen Symptomen sollte das Training sofort abgebrochen und unverzüglich ein Arzt aufgesucht werden.
- Dieses Gerät hat ein geschwindigkeitsabhängiges Bremssystem, d.h. je schneller Sie trainieren, desto höher ist die Belastung.
- Aufgrund des natürlichen Spieltriebes und der Experimentierfreudigkeit der Kinder können Situationen und Verhaltensweisen entstehen, für die das Trainingsgerät weder gebaut noch abgesichert ist und die eine Verantwortung seitens des Herstellers ausschließen. Wenn Sie dennoch Kinder an das Trainingsgerät lassen, müssen Sie deshalb deren geistige und körperliche Entwicklung und vor allem deren Temperament berücksichtigen, sie gegebenenfalls beaufsichtigen und sie vor allem auf die richtige Benutzung des Gerätes hinweisen.
- Vergewissern Sie sich, dass während des Trainings oder beim Bewegen des Geräts kein Haustier in der Nähe ist.
- Bitte beachten Sie beim Aufstellen des Gerätes, dass in jede Richtung wenigstens 100 cm Freiraum vorhanden ist.
- Das Gerät sollte grundsätzlich nur von einer Person benutzt werden.

- Das Gerät darf nur in Innenräumen benutzt werden.
- Das Gerät auf möglichst ebenen Untergrund stellen.
- Stützen Sie sich nie gegen das Benutzerinterface ab!
- Bedienen Sie die Tasten mit der Fingerkuppe. Ein Fingernagel kann die Membrane der Tasten beschädigen.
- Das Gerät nie ohne die Abdeckungen benutzen.
- Dieses Gerät ist nicht für den Einsatz in Feuchträumen (Sauna, Schwimmbad) vorgesehen.
- Beim Training muss die Umgebungstemperatur zwischen +10°C und +35°C liegen. Zur Aufbewahrung kann das Gerät bei Temperaturen zwischen -15°C und +40°C gelagert werden. Die Luftfeuchtigkeit darf nie 90 % überschreiten.
- Vor Beginn des Trainings sicherstellen, dass das Gerät völlig intakt ist. Auf keinen Fall mit einem fehlerhaften Gerät trainieren.
- Zum Auf- und Absteigen am Lenker abstützen. Nicht auf das Gehäuse treten.
- Zur Benutzung des Gerätes stets angemessene Kleidung und Schuhwerk tragen.
- Nie die Hände in die Nähe von beweglichen Teilen bringen.
- Zur Vermeidung von Muskelkater Auf- und Abwärmtraining nicht vergessen.
- Keine anderen als die in dieser Betriebsanleitung beschriebenen Wartungsmassnahmen und Einstellungen vornehmen. Die angegebenen Wartungsanweisungen sind einzuhalten.
- Das Gerät darf nicht von Personen benutzt werden, deren Gewicht über 150 kg liegt.
- Nähere Informationen zur Garantie auf Ihr Fitnessgerät finden Sie im dem Gerät beiliegenden Garantieheft. Sowohl Tunturi, als auch seine nationalen Vertretungen übernehmen keine Haftung für Verletzungen oder Geräteschäden, die sich bei Dauereinsatz in gewerblichen Fitnesscentern, Sportvereinen und vergleichbaren Einrichtungen ergeben. Für Schäden, die durch Missachtung der beschriebenen Einstellungs- und Wartungsanweisungen entstehen, besteht kein Garantieanspruch!

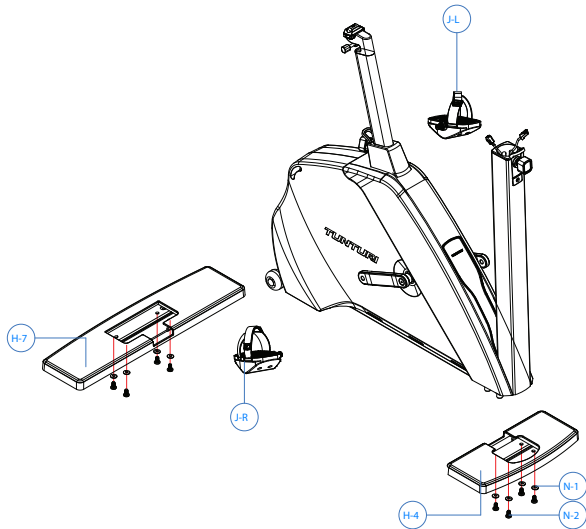
## MONTAGE

Prüfen Sie, dass folgende Teile enthalten sind:

1. Rahmen
2. Hinteres und vorderes Standprofil
3. Pedale (2)
4. Lenkerrohr
5. Cockpit
6. Transformator
7. Montageset (der Inhalt steht mit \* auf der Ersatzteilliste): bewahren Sie die Montageteile sorgfältig auf, denn Sie können sie später u.a. zur Justierung benötigen.

Eine Ersatzteilliste finden Sie auf der Rückseite dieses Handbuches. In Problemfällen wenden Sie sich bitte mit der Typenbezeichnung und der Seriennummer des Gerätes an Ihren Händler. Die Verpackung enthält eine Tüte mit Silikat, die die Feuchtigkeit während der Lagerung und des Transportes aufnimmt. Bitte entsorgen Sie diese Tüte, wenn Sie das Gerät ausgepackt haben. Die Richtungsangaben links, rechts, vorne und hinten sind aus der Sicht in der Trainingsposition abgeleitet. Das Gerät sollte von zwei Erwachsenen installiert werden.

## HINTERE UND VORDERE STÜTZEN



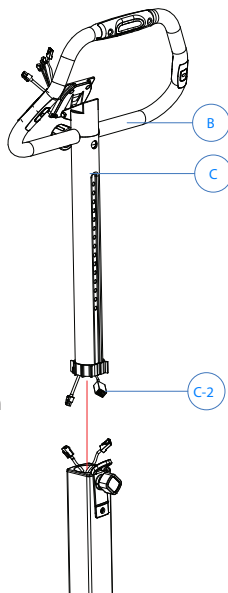
Fassen Sie den Sitz des Geräts, und neigen Sie es nach hinten, damit es auf den Transportrollen aufsitzt. Befestigen Sie die hintere Stütze von unten mit vier Inbussechskantschrauben und Unterlegscheiben. Befestigen Sie die vordere Stütze mit vier Schrauben und Unterlegscheiben am Rahmen. Bringen Sie das Gerät in die aufrechte Position zurück, damit es auf den Stützfüßen steht.

## PEDALE

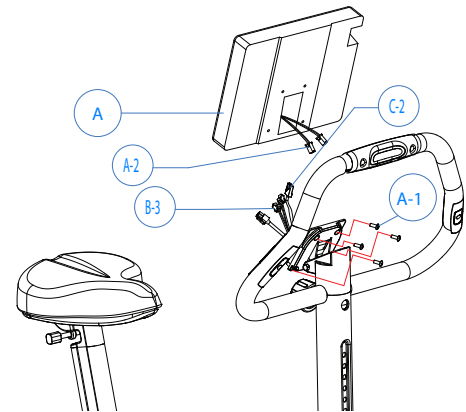
Die Pedale sind am Schaft durch die Beschriftungen L (links) und R (rechts) gekennzeichnet. Befestigen Sie das linke Pedal an der linken Kurbel, indem Sie es gegen den Uhrzeigersinn drehen, und das rechte Pedal an der rechten Kurbel, indem Sie es im Uhrzeigersinn drehen. Pedalbänder, erstens an den Halter am Gerät befestigen. Das Band in die Schake an dem Pedal schieben und die Bandöffnung in den Vorsprung an dem Pedal drücken. Bänder an die Aussenseite des Pedals befestigen. Das Band durch die Arretierschnalle schieben, dabei das Band automatisch sich schliesst. Die Bandlänge kann mit Hilfe der Arretierschnalle justiert werden.

## LENKERBÜGEL

Verbinden Sie das Kabel vom Rohr am Rahmen mit dem Anschluss am Lenkerbügel. Prüfen Sie durch leichtes Ziehen am Kabelanschluss, ob das Messkabel auch ordnungsgemäß angeschlossen ist. Führen Sie das angeschlossene Kabel sorgfältig in das Rahmenprofil ein. Öffnen Sie den Verriegelungsdrehknopf des Lenkerbügels, indem Sie ihn einige Male gegen den Uhrzeigersinn drehen und anschließend herausziehen. Lassen Sie den Verriegelungsdrehknopf los, wenn sich der Lenkerbügel auf der gewünschten Höhe befindet. Vergewissern Sie sich, dass der Lenkerbügel eingerastet ist. Ziehen Sie den Verriegelungsdrehknopf zur Sicherung an, indem Sie ihn im Uhrzeigersinn drehen.

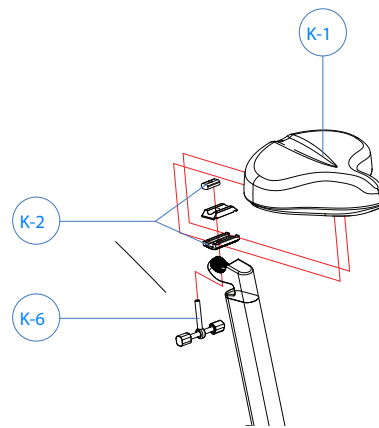


## COCKPIT



Verbinden Sie die Kabel vom Lenkerbügel mit den entsprechenden Anschlüssen am Cockpit. Führen Sie die verbundenen Kabel in das Cockpit ein. Achten Sie darauf, dass sie beim Anschliessen des Cockpits nicht beschädigt werden. Bringen Sie das Cockpit am Ende der Lenkerbügelstütze an, und befestigen Sie es mit 4 Halterungsschrauben.

## SATEL



Lösen Sie die Feststellschraube des Sattelhalters, und drehen Sie den oberen Feststellhebel so, dass er auf das Gerät ausgerichtet ist. Führen Sie den Sattel in die Nuten des unteren Feststellhebels. Drehen Sie den oberen Feststellhebel zur Oberseite der Sattelschienen, D betriebsanleitung und arretieren Sie den Sattel, indem Sie die Feststellschraube anziehen. Feststellschraube anziehen.

## NETZKABEL

Stecken Sie das Netzkabel des Trafos in die Steckdose und den Trafostecker in die Buchse im Rahmen des Ergometers oberhalb des hinteren Standprofils. Um den Stecker zu schützen empfiehlt es sich das Kabel um den Schutzteil zu binden. Vergewissern Sie sich, dass das Gerät nicht auf dem Netzkabel steht.

# EINSTELLUNGEN

---

Grundsätzlich gilt hier: Sie haben die richtige Sitzhöhe eingestellt, wenn Ihre Fußsohle das Pedal berührt und das Bein dabei durchgestreckt ist. Das Pedal befindet sich dann auf seinem tiefsten Punkt. Zum Einstellen der Sattelhöhe lösen Sie das Handrad des Sattelrohres. Fassen Sie den Sitz mit einer Hand, und ziehen Sie mit der freien Hand das Handrad nach außen, damit der Lenkerbügel frei nach oben und unten verstellt werden kann. Wenn die Sattelhöhe richtig ist, das Handrad loslassen. Das Sattelrohr rastet ein. Das Handrad im Uhrzeigersinn festdrehen.

**! BITTE BEACHTEN!** vor dem Trainieren immer sicherstellen, dass das Handrad ordnungsgemäss festgedreht ist.

Zum Einstellen der horizontalen Sattelposition nach vorn oder hinten, lösen Sie die Sitzperre. Drehen Sie dazu den Verriegelungshebel unter dem Sitz gegen den Uhrzeigersinn. Verstellen Sie den Sitz wie gewünscht, und stellen Sie den Verriegelungshebel fest, indem Sie ihn im Uhrzeigersinn drehen.

## EINSTELLEN DES LENKERROHRES

Lösen Sie das Handrad auf der Vorderseite des Lenkerrohres und wählen Sie eine für Sie bequeme Position. Ziehen Sie dann das Handrad fest an. Dank der ergonomischen Form des Lenkers kann das Training in aufrechter Stellung, bzw. Oberkörper nach vorne geneigt erfolgen. Den Rücken immer gerade halten!

Stellen Sie die Höhe des Lenkerbügels ein, indem Sie den Verriegelungsdrehknopf am Halterungsrohr des Lenkerbügels lösen. Ziehen Sie den Verriegelungsdrehknopf heraus, sodass der Lenkerbügel ungehindert nach oben und unten bewegt werden kann. Lassen Sie den Drehknopf los, wenn sich der Lenkerbügel auf der gewünschten Höhe befindet. Die Lenkerbügelstütze rastet mit einem Klicken ein. Ziehen Sie den Verriegelungsdrehknopf an, indem Sie ihn im Uhrzeigersinn drehen.

## EINSTELLEN DER COCKPITNEIGUNG

Verstellen Sie die Neigung des Anzeigegegeräts in Übereinstimmung mit Ihrer Körpergröße und Trainingsposition.

## EINSTELLEN DER STÜTZFÜSSE

Wenn das Gerät keinen stabilen Stand aufweist, passen Sie die Einstellungsschrauben an der Unterseite der Stützfüße entsprechend an.

# TRAINIEREN MIT TUNTURI

---

Treten mit einem Ergometer ist eine ausgezeichnete aerobe Trainingsform, d.h. das Training ist zwar leicht, erfordert aber eine lange Trainingsdauer. Das aerobe Training basiert auf einer Verbesserung der max. Sauerstoffaufnahme-fähigkeit, was zu einer Steigerung von Kondition und Ausdauer führt. Die Fähigkeit des Körpers, Fett zu verbrennen, hängt direkt von der Fähigkeit des Körpers ab, Sauerstoff zu transportieren.

Das aerobe Training ist eine angenehme Trainingsform. Man muss zwar ins Schwitzen, aber nicht ausser Atem kommen.

Das Training sollte aus mindestens drei 30- minütigen Einheiten pro Woche bestehen. So wird eine Grundkondition erreicht. Die Aufrechterhaltung der Kondition setzt zirka zwei Übungseinheiten pro Woche voraus. Ist die Grundkondition erreicht, kann diese leicht durch Erhöhen der Trainingsfrequenz verbessert werden. Eine zu grosse Anstrengung bei einem zu hohen Körpergewicht kann zu einer gefährlichen Belastung des Herzens und des Kreislaufs führen. Die Tretgeschwindigkeit kann der Kondition entsprechend langsam erhöht werden. Die Trainingseffizienz kann mit Hilfe der Herzfrequenz geschätzt werden.

## HERZFREQUENZ

Egal, welches Ziel Sie erreichen wollen, die besten Resultate erzielen Sie mit einem Training auf dem richtigen Leistungsniveau, und das beste Mass ist dabei Ihre eigene Herzfrequenz.

## HERZFREQUENZMESSUNG MIT HANDGRIFFSENSOREN

Die Herzfrequenz wird an den Händen über die in den Handgriffen eingearbeiteten Sensoren gemessen. Die Sensoren messen elektrische Impulse, die erzeugt werden, wenn das menschliche Herz schlägt. Die Messung beginnt, wenn Sie beide Handgriffsensoren gleichzeitig berühren. Die Haut muss eine gewisse Feuchtigkeit aufweisen und ständig mit den Sensoren in Kontakt stehen, um eine zuverlässige Messung der Herzfrequenz zu gewährleisten. Bei zu trockener oder zu nasser Haut ist die Messung der Herzfrequenz über die betriebsanleitung Hände weniger zuverlässig. Versuchen Sie, Oberkörper und Handflächen entspannt und ruhig zu halten.

## ITELEMETRISCHE HERZFREQUENZMESSUNG

Als zuverlässigste Art der Herzfrequenzmessung hat sich die drahtlose Herzfrequenzabnahme erwiesen, bei der die Herzschläge mit einem Elektrodengurt von der Brust abgenommen werden. Vom Gurt werden die Impulse danach über ein elektromagnetisches Feld an den Empfänger in der Elektronikanzeige übertragen.

**! BITTE BEACHTEN!** Falls Sie einen Herzschrittmacher tragen, lassen Sie sich von Ihrem Arzt bestätigen, dass Sie die drahtlose Herzfrequenzmessung benutzen können.

Zur drahtlosen Herzfrequenzmessung während des Trainings die gegen die Haut kommenden Elektroden am Elektrodengurt sorgfältig mit Wasser oder Speichel anfeuchten. Wird der Elektrodengurt über einem dünnen Hemd getragen, sind die gegen die Elektroden gerichteten Flächen ebenfalls zu befeuchten. Den Sender mit Hilfe des Gurtes fest unterhalb der Brustmuskulatur befestigen und darauf achten, dass der Gurt beim Training nicht verrutscht. Den Elektrodengurt jedoch nicht so festziehen, dass z. B. die Atmung erschwert wird. Der Sender kann den Pulswert bis zu einer Entfernung von zirka 1 m an den Empfänger übertragen.

Bei trockenen Elektroden wird kein Herzfrequenzwert angezeigt. Ggf. Elektroden wieder anfeuchten. Für eine zuverlässige Herzfrequenzmessung müssen die

Elektroden auf Körpertemperatur angewärmt sein. Sind mehrere drahtlose Herzfrequenzmessgeräte gleichzeitig eingesetzt, sollten sie mindestens 1,5 m voneinander entfernt sein. Werden nur ein Herzfrequenzempfänger, aber mehrere Sender eingesetzt, darf sich nur eine Person, die einen Herzfrequenzsender trägt, während der Herzfrequenzmessung innerhalb der Reichweite des Senders befinden. Der Sender schaltet sich aus, wenn der Elektrogurt abgenommen wird. Er kann jedoch durch Feuchtigkeit neu aktiviert werden, was die Lebensdauer der Batterie verkürzt. Deswegen ist es wichtig, den Sender nach dem Training sorgfältig zu trocknen.

Achten Sie bei Ihrer Trainingskleidung darauf, dass bestimmte für Kleidungsstücke verwendete Fasern (z.B. Polyester, Polyamid) statische elektrische Ladungen verursachen, die ein Hindernis für eine zuverlässige Herzfrequenzmessung sein können. Beachten Sie auch, dass durch Handys, Fernsehgeräte und andere elektrische Geräte elektromagnetische Felder entstehen, die Probleme bei der Herzfrequenzmessung verursachen können.

Ermitteln Sie zuerst Ihre maximale Herzfrequenz. Wenn Sie diese nicht kennen, orientieren Sie sich bitte an der nachfolgenden Formel:

$$220 - \text{ALTER}$$

Das Maximum unterscheidet sich von Mensch zu Mensch. Die maximale Herzfrequenz verringert sich pro Jahr durchschnittlich um einen Punkt. Wenn Sie zu einer der bereits genannten Risikogruppen zählen, bitten Sie den Arzt, Ihre maximale Herzfrequenz festzustellen.

Wir haben drei Herzfrequenzbereiche definiert, die Sie bei Ihrem zielgerichteten Training unterstützen.

**ANFÄNGER:** 50-60 % der maximalen Herzfrequenz

Sie ist ausserdem für Übergewichtige und Rekonvaleszenten geeignet sowie für diejenigen, die seit langem nicht mehr trainiert haben. Drei Trainingseinheiten pro Woche von jeweils einer halben Stunde Dauer sind angemessen. Regelmässiges Training verbessert die Leistungsfähigkeit der Atmungs- und Kreislauforgane ganz entscheidend.

**FORTGESCHRITTENE:** 60-70 % der maximalen Herzfrequenz

Perfekt geeignet zur Verbesserung und Erhaltung der Fitness. Damit stärken Sie Ihr Herz und Ihre Lungen mehr, als auf dem Anfängerniveau. Wir empfehlen mindestens 3 Trainingseinheiten pro Woche mit jeweils mindestens 30 Minuten. Wenn Sie Ihr Fitnessniveau noch weiter erhöhen möchten, trainieren Sie häufiger oder intensiver, aber nicht beides zugleich.

**AKTIVE SPORTLER:** 70-80 % der maximalen Herzfrequenz

Das Training auf diesem Niveau ist nur für durchtrainierte Sportler geeignet und setzt ein Langzeit-Ausdauertraining voraus.

## COCKPIT



### FUNKTIONSTASTEN (an der Seite)

Netztaste  
Lauter/Leiser  
Heller/Dunkler

### TOUCHSCREEN

Dieser Monitor verfügt über einen berührungsempfindlichen Eingabebildschirm (Touchscreen). Zur Betätigung einer Taste legen Sie Ihren Finger einfach behutsam auf den Bildschirm. Drücken Sie nicht fest auf den Bildschirm und berühren Sie den Bildschirm nicht mit spitzen Gegenständen, um eine Beschädigung der Touchscreen-Funktion zu vermeiden.

### MEDIEN

Dieser Monitor unterstützt zwei USB-Anschlüsse (FAT/ FAT32-Format) für die Wiedergabe von Mediendateien. Folgende Dateitypen werden unterstützt: MP3, AAC (MP4), Ogg Vorbis, WAV, MPEG-1, Ogg Theora, AVI, MKV, Ogg, MOV. Die Wiedergabe von DRM-geschützten Dateien wird nicht unterstützt.

Des Weiteren gibt es einen iPod/iPhone Stecker (30-polig) für den Anschluss der meisten Apple-Geräte. Mit der Media-Taste können Sie auf Ihrem iPod/iPhone gespeicherte Musikdateien durchsuchen und wiedergeben. Video kann über diesen Anschluss nicht wiedergegeben werden. Sie können die Musikdateien auf Ihrem iPod / iPhone in das Verzeichnis user / Apple.

**! HINWEIS:** Dieser Monitor bietet eine Anschlussmöglichkeit für iPod/iPhone. Tunturi übernimmt keine Haftung für eine etwaige Beschädigung Ihres iPod/iPhone durch den Anschluss der Hardware und Software.

### BILDSCHIRMTASTEN

#### 1. TRAINING

Drücken Sie die Taste TRAINING, um ein Trainingsprogramm auszuwählen.

#### 2. USER

Drücken Sie die Taste USER, um das Menü USER zu öffnen. Das Menü USER enthält die folgenden Funktionen:



CREATE USER, SELECT/CHANGE USER, EDIT USER, DELETE USER, SETTINGS und USER LOG.

### 3. INTERNET

Drücken Sie die Taste INTERNET, um im Internet zu browsen (nur bei WLAN-Verbindung ins Internet).

### 4. E-BOOK-READER

Drücken Sie die Taste E-BOOK-READER, um den E-Book-Reader zu öffnen. Der Monitor kann E-Books, die auf Ihrem USB-Stick gespeichert sind, erkennen. Folgende Formate können gelesen werden: ePub, FictionBook (fb2), Plucker, Open E-Book, Open Reader, PalmDoc, Psion Text, Mobipocket, Klartext.

### 5. WIFI SETTINGS

Mit dieser Taste können Sie Ihre Netzwerkverbindung konfigurieren. Ausführliche Informationen hierzu finden Sie im Kapitel INTERNET.

### 6. BACK/STOP

Verwenden Sie die Taste BACK/STOP, um zum Hauptmenü zurückzugelangen. Während des Trainings können Sie die Trainingseinheit beenden oder vorübergehend anhalten, indem Sie die Taste BACK/STOP drücken.

### 7. ZOOM

Überwachung des grafischen Profils im Display während des Trainings. Durch Drücken der ZOOM-Taste vergrößern Sie das Bild des Profils auf der Anzeige (zwei-, vier-, acht- und sechzehnfach), bis beim fünften Drücken das Profilbild in seiner ursprünglichen Größe wiederhergestellt wird.

### 8. KEYBOARD

Mit Taste KEYBOARD wird die Bildschirmtastatur ein- bzw. ausgeblendet.

### 9. MEDIA-Taste

Drücken Sie die Taste MEDIA, um den Medienplayer zu öffnen. Der Player kann Filme (MPEG1-Format) und Musik (MP3, WMV, WAV) erkennen, und Sie können den Inhalt auf Ihrem USB-Stick auswählen und wiedergeben.

### DISPLAY

Während des Trainings werden auf der linken Seite des Displays folgende Trainingswerte angezeigt: Zeit, zurückgelegte Strecke, Energieverbrauch, Leistung, Drehzahl, Herzfrequenz und Geschwindigkeit.

## BETRIEB DES COCKPITS

---

### EINSCHALTEN

Das Cockpit wird aktiviert, indem Sie das Gerät an eine Stromquelle anschließen. Im Cockpit erscheint dann das Menü TRAINING.

### SLEEP-MODUS

Wird das Gerät etwa 5 Minuten lang nicht betrieben, wechselt das Cockpit automatisch in den Screensaver-Modus. Berühren Sie den Bildschirm, um den Monitor wieder zu aktivieren.

### AUSSCHALTEN

Das Cockpit wird ausgeschaltet, indem Sie mehrere Sekunden lang auf die Netztaaste an der Seite des Monitors drücken und den Netzadapter von der Stromquelle trennen.


Die Trainingsdaten werden bei Unterbrechung des Trainings 5 Minuten lang gespeichert. Danach werden alle Werte auf Null gesetzt. Ein unterbrochenes Training kann fortgesetzt werden, indem Sie innerhalb von 5 Minuten wieder mit dem Treten beginnen.

Im Display werden Empfehlungen angezeigt. Ihnen wird der Buchstabe i auf weißem Hintergrund vorangestellt. Sie können die Empfehlungen vom Display löschen, indem Sie den Schieber betätigen.

### MENÜ USER

Sie können auf das Menü USER zugreifen, indem Sie die Taste USER drücken. Wir empfehlen Ihnen einen Benutzercode zu wählen und Ihre persönlichen Daten abzuspeichern. Diese Informationen werden u.a. bei der präziseren Einschätzung des Energieverbrauchs benötigt. Gleichzeitig können Sie auch die bei dem Laufband verwendeten Maßeinheiten eingeben sowie die Gebrauchsgesamtwerte des Laufbands ablesen.

Wenn Sie einen Benutzernamen auswählen, können Sie persönliche Trainingseinheiten speichern und Herzfrequenzstufen in unterschiedlichen Farben anzeigen, wenn Sie ein Herzfrequenztraining durchführen. Nachdem Sie einen Benutzernamen eingegeben oder einen vorhandenen Benutzernamen ausgewählt haben, wird dieser rechts oben im Display eingeblendet. Sie können auch ohne Benutzernamen trainieren. In diesem Fall wird kein Benutzername rechts oben im Display angezeigt, und für die Trainingseinheit werden die Standardeinstellungen (45 Jahre, 70 kg, männlich) verwendet. Es können für maximal 20 Benutzer Daten gespeichert werden.

 **WICHTIG!** Wenn Sie Trainingseinheiten anzeigen möchten, die mit Hilfe der Funktion USER LOG gespeichert wurden, müssen Sie Ihren Benutzernamen auswählen. Sie können auch während einer Trainingseinheit einen Benutzernamen auswählen, indem Sie die Taste USER drücken und Ihren Benutzernamen auswählen. Die Trainingseinheit wird dadurch nicht unterbrochen. Nachdem Sie Ihren Benutzernamen ausgewählt haben, können Sie die Trainingsdaten wieder anzeigen, indem Sie die Taste BACK/STOP drücken.

 **WICHTIG!** Wenn Sie die Trainingseinheit speichern möchten, müssen Sie einen Benutzernamen auswählen.

### CREATE USER

So erstellen Sie einen Benutzer:

1. Drücken Sie die Taste USER. Das Menü USER wird angezeigt.
2. Wählen Sie CREATE USER aus, indem Sie in der Liste nach unten blättern. Bestätigen Sie die Auswahl durch Drücken der Auswahlleiste.
3. Wählen Sie eine Sprache aus, indem Sie in der Liste nach unten blättern und die Auswahl durch Drücken Der Auswahlleiste bestätigen.
4. Geben Sie Ihren Namen auf der Tastatur ein und bestätigen Sie Ihre Eingabe mit Enter.

5. Wählen Sie die gewünschten Einheiten aus. (METRIC 1 (kg, km, kcal), METRIC 2 (kg, km, kJ) oder die entsprechenden britischen Einheiten IMPERIAL 1 (lb, mi, kcal), IMPERIAL 2 (lb, mi, kJ)). Treffen Sie Ihre Auswahl, indem Sie in der Liste nach unten blättern und bestätigen Sie sie durch Drücken der Auswahlleiste. Sie gelangen automatisch zur nächsten Einstellung.
6. Wählen Sie die Zielanzeige für die eingegebenen Werte aus. Wenn Sie COUNT DOWN auswählen, werden die Werte angezeigt, die von Ihrem Zielwert in Richtung Null abfallen. Wenn Sie COUNT UP wählen, werden die Werte angezeigt, die in Richtung auf Ihren Zielwert zunehmen. Bestätigen Sie die Auswahl durch Drücken der Auswahlleiste. Sie gelangen zur nächsten Einstellung.
7. Geben Sie Ihr Geschlecht ein, indem Sie in der Liste nach unten blättern. Bestätigen Sie Ihre Auswahl.
8. Geben Sie Ihr Alter mit dem Schieber ein. Bestätigen Sie Ihre Auswahl.
9. Geben Sie Ihre Körpergröße ein. Bestätigen Sie Ihre Auswahl.
10. Geben Sie Ihr Gewicht ein. Bestätigen Sie Ihre Auswahl.
11. Geben Sie Ihre maximale Herzfrequenz ein. In der Steuerung wird Ihre geschätzte maximale Herzfrequenz mit Hilfe der Formel „220 - Alter“ berechnet. Wenn Sie den genauen Wert Ihrer maximalen Herzfrequenz kennen, können Sie die geschätzte maximale Herzfrequenz korrigieren, die von der Steuerung berechnet wurde.
12. Geben Sie Ihren anaeroben Schwellenwert ein. Das Gerät berechnet Ihre geschätzte Schwellenherzfrequenz aufgrund Ihrer maximalen Herzfrequenz (80 % der maximalen Herzfrequenz). Wenn Sie Ihre genaue anaerobe Schwellenherzfrequenz kennen, können Sie die von der Steuerung berechnete Schätzung korrigieren.
13. Geben Sie den aeroben Schwellenwert ein. Das Gerät berechnet Ihre geschätzte Schwellenherzfrequenz aufgrund Ihrer maximalen Herzfrequenz (60 % der maximalen Herzfrequenz). Wenn Sie Ihre genaue aerobe Schwellenherzfrequenz kennen, können Sie die von der Steuerung berechnete Schätzung korrigieren.



**WICHTIG!** In der Steuerung können maximal 20 Benutzernamen gespeichert werden.

### SELECT/CHANGE USER

Wenn Sie für sich einen Benutzernamen erstellt haben, aktivieren Sie ihn zu Beginn der Trainingseinheit. Wählen Sie hierzu SELECT/CHANGE USER aus, und bestätigen Sie die Auswahl, indem Sie auf die Auswahlleiste drücken.

### EDIT USER

Wenn Sie EDIT USER auswählen, können Sie Ihre Benutzerdaten bearbeiten.

### DELETE USER

Wenn Sie DELETE USER auswählen, können Sie den aktuellen Benutzer löschen.

### SETTINGS

Wenn Sie SETTINGS auswählen, können Sie die Firmware-Version der Steuerung aktualisieren, den Displaykontrast ändern, die Gesamtwerte des Heimtrainers anzeigen und die Tastensignaltöne aktivieren bzw. deaktivieren.

### USER LOG

Wenn Sie USER LOG auswählen, können Sie die Trainingsdaten des ausgewählten Benutzers anzeigen. Sie können entweder die Daten der letzten Trainingseinheit oder eine Zusammenfassung aller Trainingseinheiten des Benutzers anzeigen. Die Trainingsdaten werden geschlossen, wenn Sie die Taste BACK/STOP drücken.

### TRAINING MENU

Sie können das Menü TRAINING öffnen, indem Sie die Taste TRAINING drücken. Im Menü TRAINING können Sie eine der folgenden Trainingseinheiten auswählen, indem Sie in der Liste nach unten blättern und Ihre Auswahl durch Drücken auf die Auswahlleiste bestätigen:

### QUICK START

Mit Hilfe der QUICK START (Schnellstart)-Taste gelangen Sie sofort zum MANUAL-Trainingsprogramm ohne Benutzereinstellungen.

Mit Hilfe der QUICK START (Schnellstart)-Taste gelangen Sie sofort zum MANUAL-Trainingsprogramm ohne Benutzereinstellungen.

1. Wählen Sie QUICK START aus. Bestätigen Sie die Auswahl, indem Sie auf die Auswahlleiste drücken, und beginnen Sie die Trainingseinheit, indem Sie die Pedale betätigen.
2. Sie können den Widerstand (1 – 58 Nm) mit Hilfe des Schiebers auf der rechten Seite erhöhen oder verringern.
3. Drücken Sie die Taste BACK/STOP, um die Trainingseinheit zu beenden. Sie können dann die Trainingseinheit beenden, indem Sie EXIT auswählen, die Daten der Trainingseinheit speichern, indem Sie SAVE AND EXIT auswählen, oder die Trainingseinheit fortsetzen, indem Sie CONTINUE auswählen.

### MANUAL

In der Betriebsart MANUAL können Sie die Belastung mit Hilfe des Schiebers verringern oder erhöhen.

1. Wählen Sie MANUAL aus.
2. Wählen Sie Ihren Zielwert für die Trainingseinheit mit Hilfe des Schiebers aus: TIME (Zeit), DISTANCE (Strecke) oder ENERGY CONSUMPTION (Energieverbrauch). Bestätigen Sie die Auswahl durch Drücken der Auswahltaste.
3. Geben Sie den Zielwert für die Trainingseinheit mit Hilfe des Schiebers ein: Geben Sie die Zeit (10 – 180 Minuten), die Strecke (3 – 100 km) oder den Energieverbrauch (50 – 2000 kcal) ein. Bestätigen Sie die Auswahl durch Drücken der Auswahltaste.
4. Beginnen Sie die Trainingseinheit, indem Sie die Pedale betätigen. Sie können den Widerstand (1 – 58 Nm) mit Hilfe des Schiebers erhöhen oder verringern. Während des Trainings können Sie den Widerstand oder die Herzfrequenz mit Hilfe der Taste am unteren Bildschirmrand anzeigen.
5. Nach Erreichen des Trainingszielwertes ertönt ein Signalton. Sie können dennoch das Programm fortsetzen.
6. Drücken Sie die Taste BACK/STOP, um die Trainingseinheit zu beenden. Sie können dann die Trainingseinheit beenden, indem Sie EXIT auswählen, die Daten der Trainingseinheit speichern, indem Sie SAVE AND EXIT auswählen, oder die Trainingseinheit fortsetzen, indem Sie CONTINUE auswählen.

## TARGET HR (PULS-KONSTANTE)

Bei diesem Programm wird die Trainingsbelastung abhängig vom Puls gesteuert. Beginnt der Puls zu steigen, reduziert der elektronische Steuermechanismus automatisch den Tretwiderstand und umgekehrt. Der eingegebene Pulswert kann auch während des Trainings verändert werden. Das Programm erfordert die Messung der Herzfrequenz.

1. Wählen Sie TARGET HR aus.
2. Geben Sie die Herzfrequenzstufe (80 – 220) für die Trainingseinheit mit Hilfe des Schiebers ein. Bestätigen Sie Ihre Auswahl.
3. Wählen Sie mit dem Schieber die Zieldauer der Trainingseinheit aus, die nach Zeit, Strecke oder Energieverbrauch gemessen wird. Bestätigen Sie die Auswahl durch Drücken der Auswahl Taste.
4. Geben Sie den Zielwert der Trainingseinheit mit Hilfe des Schiebers ein: Geben Sie die Zeit (10 – 180 Minuten), die Strecke (3 – 100 km) oder den Energieverbrauch (200 – 8000 kcal) ein. Bestätigen Sie die Auswahl durch Drücken der Auswahl Taste.
5. Beginnen Sie die Trainingseinheit, indem Sie die Pedale betätigen. Mit Hilfe des Schiebers können Sie die Herzfrequenzstufe ändern (80 – 220). Während des Trainings können Sie Widerstand oder Herzfrequenz mit Hilfe der Taste am unteren Bildschirmrand anzeigen.
6. Nach Erreichen des Trainingszielwertes ertönt ein Signalton. Sie können dennoch das Programm fortsetzen.
7. Drücken Sie die Taste BACK/STOP, um die Trainingseinheit zu beenden. Sie können dann die Trainingseinheit beenden, indem Sie EXIT auswählen, die Daten der Trainingseinheit speichern, indem Sie SAVE AND EXIT auswählen, oder die Trainingseinheit fortsetzen, indem Sie CONTINUE auswählen.

## WATT CONTROL

Wenn Sie das Programm WATT CONTROL auswählen, können Sie die gewünschte Leistung in Watt eingeben, d. h. die Tretleistung ist von den Pedalumdrehungen unabhängig. Die eingegebene Leistung kann auch während des Trainings geändert werden.

1. Wählen Sie WATT CONTROL aus.
2. Geben Sie die Herzfrequenzstufe (80 – 220) für die Trainingseinheit mit Hilfe des Schiebers ein. Bestätigen Sie Ihre Auswahl.
3. Wählen Sie mit dem Schieber die Zieldauer der Trainingseinheit aus, die nach Zeit, Strecke oder Energieverbrauch gemessen wird. Bestätigen Sie die Auswahl durch Drücken der Auswahl Taste.
4. Geben Sie den Zielwert der Trainingseinheit mit Hilfe des Schiebers ein: Geben Sie die Zeit (10 – 180 Minuten), die Strecke (3 – 100 km) oder den Energieverbrauch (200 – 8000 kcal) ein. Bestätigen Sie die Auswahl durch Drücken der Auswahl Taste.
5. Beginnen Sie die Trainingseinheit, indem Sie die Pedale betätigen. Mit Hilfe des Schiebers können Sie die Herzfrequenzstufe ändern (80 – 220). Während des Trainings können Sie Widerstand oder Herzfrequenz mit Hilfe der Taste am unteren Bildschirmrand anzeigen.
6. Nach Erreichen des Trainingszielwertes ertönt ein Signalton. Sie können dennoch das Programm fortsetzen.
7. Drücken Sie die Taste BACK/STOP, um die

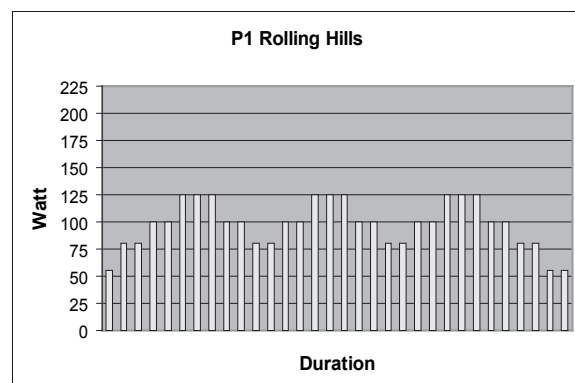
Trainingseinheit zu beenden. Sie können dann die Trainingseinheit beenden, indem Sie EXIT auswählen, die Daten der Trainingseinheit speichern, indem Sie SAVE AND EXIT auswählen, oder die Trainingseinheit fortsetzen, indem Sie CONTINUE auswählen.

## PROGRAMS (TRAININGSPROFILE)

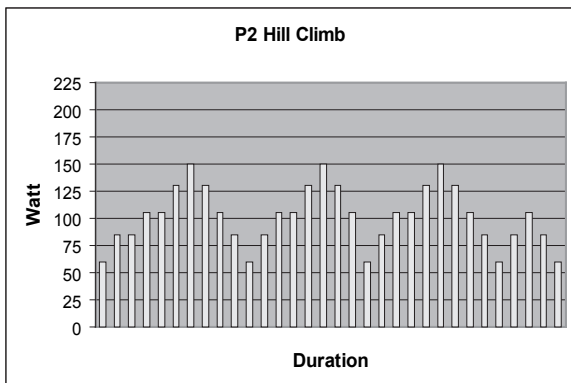
Die Form des Trainings, die in der Funktion PROGRAMS angeboten wird, basiert auf individuellen, einzelnen vorprogrammierten Trainingsprofilen, in denen die Anforderungen in einer im Voraus festgelegten Weise schwanken. Das Display zeigt das Profil und die Änderungen an, und die Tretbelastung kann manuell geregelt werden.

1. Wählen Sie PROGRAMS aus.
2. Wählen Sie ein Programm (1 – 10) aus der Liste aus und drücken Sie auf die Auswahlleiste. Die Profile P1 – P5 sind Leistungssteuerungsprogramme, während die Profile P6 – P10 Herzfrequenzprogramme sind, bei denen die Herzfrequenz gemessen werden muss. Bestätigen Sie die Auswahl durch Drücken des Drehschalters.
3. Wählen Sie die Zieldauer der Trainingseinheit aus, die nach Zeit oder Strecke gemessen wird. Bestätigen Sie Ihre Auswahl.
4. Geben Sie den Zielwert der Trainingseinheit ein: Zeit (10 – 180 Minuten) oder Strecke (3 – 100 km). Bestätigen Sie Ihre Auswahl.
5. Starten Sie das Programm, indem Sie die Pedale betätigen. Sie können den Widerstand mit Hilfe des Schiebers erhöhen oder verringern. Während des Trainings können Sie Leistung oder Herzfrequenz anzeigen. Die Herzfrequenz muss gemessen werden, damit sie angezeigt werden kann.
6. Nach Erreichen des Trainingszielwertes ertönt ein Signalton. Sie können dennoch das Programm fortsetzen.
7. Drücken Sie die Taste BACK/STOP, um die Trainingseinheit zu beenden. Sie können dann die Trainingseinheit beenden, indem Sie EXIT auswählen, die Daten der Trainingseinheit speichern, indem Sie SAVE AND EXIT auswählen, oder die Trainingseinheit fortsetzen, indem Sie CONTINUE auswählen.

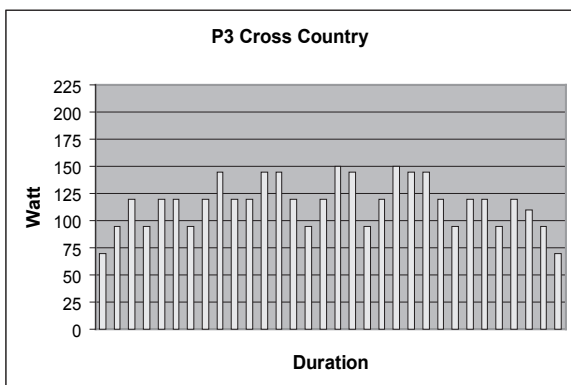
**PROFIL P1.** Profil mit drei Leistungsspitzen zur Verbesserung der Sauerstoffaufnahme-fähigkeit. Da die Leistungsspitzen relativ niedrig sind aber lang andauern, eignet sich dieses Profil für Anfänger. Mit Standardwerten, die Durchschnittsleistung beträgt 98 W und die Höchstleistung 125 W.



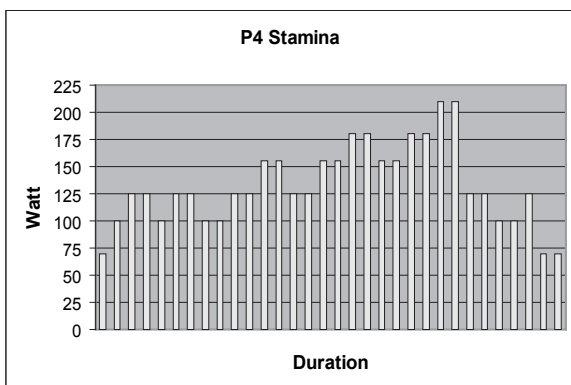
**PROFIL P2.** Profil mit drei Leistungsspitzen zur Verbesserung der Sauerstoffaufnahme-fähigkeit. Da die Leistungsspitzen ziemlich kurz sind, eignet sich dieses Profil für Anfänger. Mit Standardwerten, die Durchschnittsleistung beträgt 102 W und die Höchstleistung 150 W.



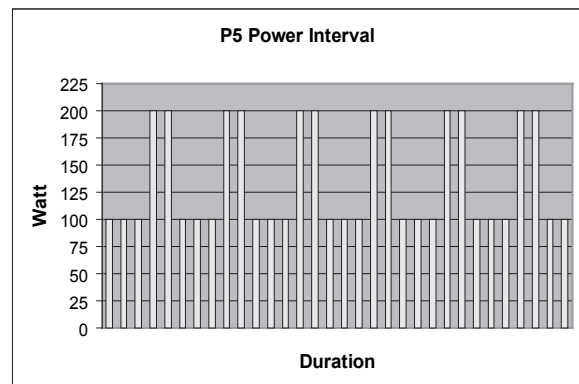
**PROFILE P3.** Profil mit mehreren Leistungsspitzen zur Verbesserung der Kräftemobilisation. Wegen des unregelmässigen Wechsels der Leistungsniveaus und der relativ kurzen Leistungsspitzen eignet sich dieses Profil für alle. Mit Standardwerten, die Durchschnittsleistung beträgt 117 W und die Höchstleistung 150 W.



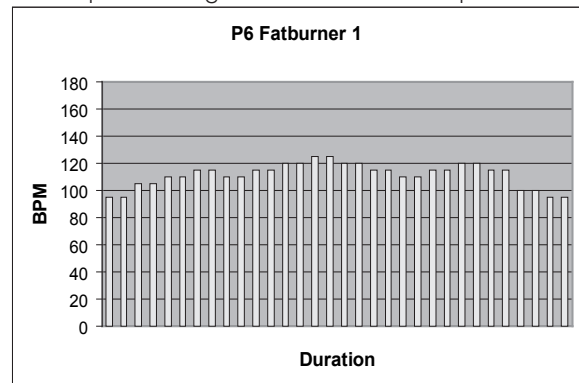
**PROFILE P4.** "Bergauf"-Leistungsprofil zur Verbesserung der Ausdauer. Die relativ lang dauernden Leistungsspitzen werden bis zum Schluss des Profils immer höher. Dieses Profil eignet sich vor allem für Leute mit guter Kondition. Mit Standardwerten, die Durchschnittsleistung beträgt 133 W und die Höchstleistung 210 W.



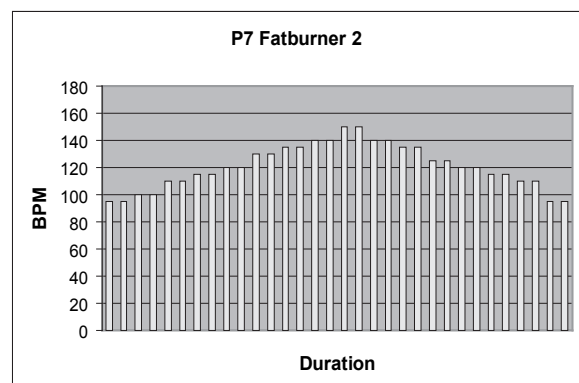
**PROFIL P5.** Regelmässig gestaltetes Leistungsintervallprofil, bei dem der Unterschied zwischen Spitzen- und Grundleistungsebene klar erkennbar ist. Bei der vorprogrammierten Einstellung beträgt die durchschnittliche Leistung 138 W, die Spitzenleistung 200 W. Bitte beachten Sie, dass Sie bei diesem Profil Spitzen- und Basiswiderstand getrennt einstellen können.



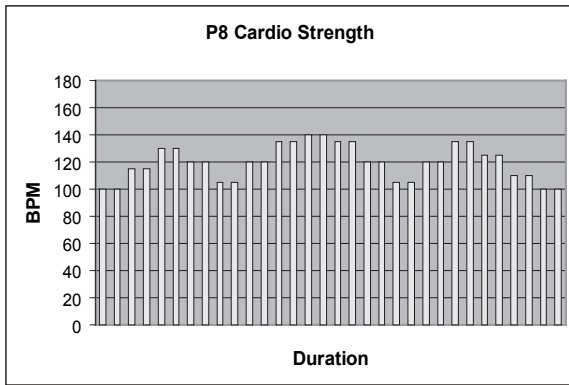
**PROFILE P6.** Pulsprofil mit drei Leistungsspitzen zur Verbesserung der Sauerstoffaufnahme-fähigkeit. Die Leistungsspitzen dauern relativ lang, ein Profil auch für Anfänger. Mit Standardwerten, die durchschnittliche Herzfrequenz beträgt 112 und die Höchsfrequenz 125.



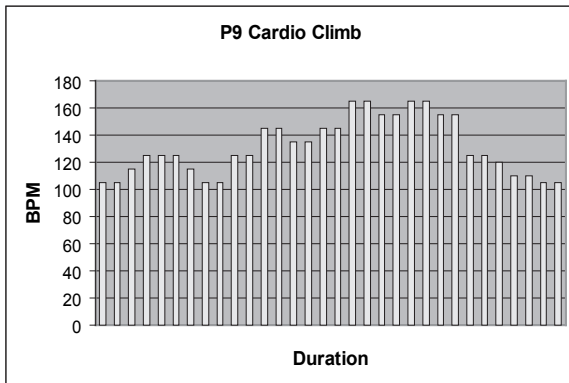
**PROFILE P7.** "Bergauf"-Pulsprofil, bei welchem der Puls bis zur Mitte des Profils gleichmässig gesteigert wird um danach wieder gleichmässig abzufallen. Ein Profil auch für Anfänger. Mit Standardwerten, die durchschnittliche Herzfrequenz beträgt 121 und die Höchsfrequenz 150.



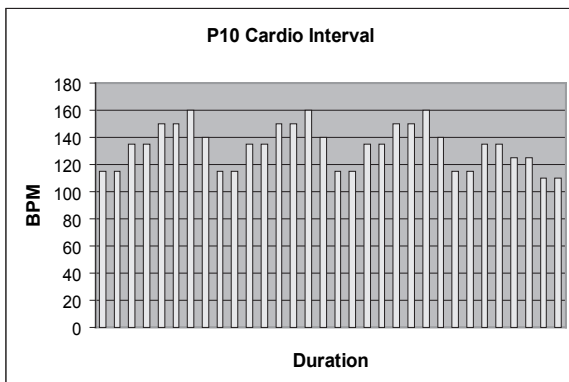
**PROFILE P8.** Pulsprofil mit drei Leistungsspitzen zur Verbesserung der Ausdauer. Die Leistungsspitzen dauern relativ lang, aber das Pulsniveau bleibt das ganze Profil hindurch ziemlich gleichmässig. Ein Profil für alle. Mit Standardwerten, die durchschnittliche Herzfrequenz beträgt 120 und die Höchsfrequenz 140.



**PROFILE P9.** "Bergauf"-Pulsprofil zur Verbesserung der Ausdauer. Die relativ lang dauernden Leistungsspitzen werden bis zum Schluss des Profils immer höher. Dieses Profil eignet sich vor allem für Leute mit guter Kondition. Mit Standardwerten, die durchschnittliche Herzfrequenz beträgt 131 und die Höchsfrequenz 170.



**PROFILE P10.** Pulsprofil mit drei Leistungsspitzen zur Verbesserung der Sauerstoffaufnahme-fähigkeit. Auf ziemlich lang dauernde Leistungsspitzen folgt eine gleichmäßige Ausgleichsphase. Dieses Profil eignet sich vor allem für Leute mit guter Kondition. Mit Standardwerten, die durchschnittliche Herzfrequenz beträgt 133 und die Höchsfrequenz 160.



## T-RIDE

Mit Hilfe des T-RIDE-Trainings wird eine Fahrradfahrt auf natürlichem Gelände simuliert. Während des Trainings können Sie die Gänge mit Hilfe des Schiebers wechseln und das Höhenprofil beobachten.

1. Wählen Sie T-RIDE aus.
2. Wählen Sie das Gelände aus, und bestätigen Sie Ihre Auswahl.
3. Geben Sie den Ausgangspunkt der Trainingseinheit durch Berühren des Profils ein und bestätigen Sie Ihre Auswahl mit der Taste.
4. Geben Sie den Endpunkt der Trainingseinheit durch Berühren des Profils ein und bestätigen Sie Ihre Auswahl mit der Taste.
5. Beginnen Sie die Trainingseinheit, indem Sie die Pedale betätigen. Sie können die Gänge (1 – 8) mit Hilfe des Schiebers wechseln. Während des Trainings können Sie Höhenprofil oder Herzfrequenz anzeigen. Die Herzfrequenz muss gemessen werden, damit sie angezeigt werden kann.
6. Wenn Sie die Route abgefahren haben, erklingt ein Signalton, und die Trainingseinheit wird beendet.
7. Drücken Sie die Taste BACK/STOP, um die Trainingseinheit zu beenden. Sie können dann die Trainingseinheit beenden, indem Sie EXIT auswählen, die Daten der Trainingseinheit speichern, indem Sie SAVE AND EXIT auswählen, oder die Trainingseinheit fortsetzen, indem Sie CONTINUE auswählen.

## T-ROAD

**!** **WICHTIG:** Sie können nur dann eine T-ROAD-Trainingseinheit absolvieren, wenn der Speicherstick eingesetzt ist. T-ROAD ähnelt T-RIDE, aber während einer T-ROAD-Trainingseinheit können Sie Ihren Fortschritt auch in einer Videodarstellung sehen. Während des Trainings können Sie Höhenprofil oder Videodarstellung mit Hilfe des Drehschalters anzeigen.

## T-MUSIC

**!** **WICHTIG::** Sie können nur dann eine T-MUSIC-Trainingseinheit absolvieren, wenn der Speicherstick eingesetzt ist. T-MUSIC-Programme werden durch die Herzfrequenz gesteuert. Während des Trainings ändert sich das Musiktempo entsprechend der Leistungsstufe der Trainingseinheit. Das T-MUSIC-Programm dauert 40 Minuten. Sie können die ausgewählte Herzfrequenzstufe während des Trainings nicht ändern. Das Programm erfordert die Messung der Herzfrequenz.

1. Wählen Sie T-MUSIC aus.
2. Wählen Sie ein Programm (1 – 3) aus der Liste aus. Bestätigen Sie die Auswahl durch Drücken der Auswahlleiste.
3. Starten Sie das Programm, indem Sie die Pedale betätigen. Während des Trainings können Sie Leistung oder Herzfrequenz mit Hilfe der Taste am unteren Bildschirmrand anzeigen.
4. Nach Ablauf von 40 Minuten erklingt ein Signalton, und die Trainingseinheit wird beendet.
5. Drücken Sie die Taste BACK/STOP, um die Trainingseinheit zu beenden. Sie können dann die Trainingseinheit beenden, indem Sie EXIT auswählen, die Daten der Trainingseinheit speichern, indem Sie SAVE AND EXIT auswählen, oder die Trainingseinheit fortsetzen, indem Sie CONTINUE auswählen.

## OWN TRAINING

Sie können maximal 100 eigene Trainingsprogramme erstellen und speichern.

## SPEICHERUNG VON PROGRAMMEN

1. Beenden Sie die Trainingseinheit, indem Sie die Taste BACK/STOP drücken.
2. Wählen Sie SAVE AND EXIT aus, und bestätigen Sie Ihre Auswahl.
3. Geben Sie einen Namen für die Trainingseinheit ein, und bestätigen Sie ihn mit Enter.

**!** **WICHTIG!** Sie können nur Programme speichern, die länger als 10 Minuten dauern.

**!** **WICHTIG!** Sie müssen einen Benutzernamen auswählen, um eine Trainingseinheit speichern zu können.

## VERWENDEN GESPEICHERTER PROGRAMME

1. Wählen Sie OWN TRAINING aus.
2. Wählen Sie eine Trainingseinheit aus der Liste aus.
3. Wählen Sie das gewünschte Ausführungsverfahren aus:
  - A) Wiederholen = wiederholen Sie das gleiche Training so, wie es abgespeichert ist.
  - B) Bearbeiten = ändern Sie die Dauer des gespeicherten Trainings.
  - C) Race = treten Sie gegen das gespeicherte Trainingsergebnis an.

ACHTUNG! Die Wettkampffunktion kann nur die in der Manual- Funktion erstellten Programmprofile verwenden. Bei diesen Profilen wird der Widerstand als Standarddrehmoment (Newtonmeter) angegeben.
4. Bestätigen Sie die Auswahl durch Drücken der Auswahl Taste.
  - A) Wiederholen = Starten Sie das Training, indem Sie mit dem Treten beginnen. Mit dem Schieber können Sie das Widerstandsniveau des Programms gradweise verändern.
  - B) Bearbeiten = Bestimmen Sie mit dem Schieber die Trainingsdauer (geben Sie die Zeit ein, 10-180 Minuten). Starten Sie das Training, indem Sie mit dem Treten beginnen. Mit dem Schieber können Sie das Widerstandsniveau des Programms gradweise verändern.
  - C) RACE = Wählen Sie den Wettkampfmodus in der Liste aus (TIME (Zeit): Strecke, die Sie in einem gegebenen Zeitraum abfahren können, oder DISTANCE (Strecke): Zeitraum, in dem Sie eine gegebene Strecke abfahren können), und bestätigen Sie Ihre Auswahl mit Hilfe der Auswahl Taste. Im Display wird ein zuvor gespeichertes Programm angezeigt. Betätigen Sie die Pedale, um den Wettkampf zu starten. Mit Hilfe der gestrichelten Linie im Display wird angezeigt, ob Sie vor oder hinter den Werten der Referenztrainingseinheit liegen. Bei dieser handelt es sich um die letzte Trainingseinheit, die in diesem Programm gespeichert wurde. Die Strecke im Vergleich zur zuvor gespeicherten Trainingseinheit wird ebenfalls angezeigt: Die zuvor gespeicherte Trainingseinheit wird mit einer vertikalen hellblauen gestrichelten Linie angezeigt, und Ihre Wettkampfleistung wird mit einer vertikalen schwarzen gestrichelten Linie angezeigt.
5. Drücken Sie die Taste BACK/STOP, um die Trainingseinheit zu beenden. Sie können dann die Trainingseinheit beenden, indem Sie EXIT auswählen, die Daten der Trainingseinheit speichern, indem Sie SAVE AND EXIT auswählen, oder die Trainingseinheit fortsetzen, indem Sie CONTINUE auswählen.

## FITNESS TEST

Beim Cockpit-Konditionstest handelt es sich um einen mehrstufigen Test. Der Test beginnt bei leichtem Widerstand, aber je nach gewählter Testform wächst der Widerstand gleichmäßig. Ein mehrstufiger Test ist eine sichere und zuverlässige Weise unterhalb der maximalen Beanspruchung um das physische Konditionsniveau zu testen. Der Test läuft weiter, bis dass das individuelle Zielpulsniveau der Testperson (85% des maximalen Pulsniveaus) erreicht ist. Der Test setzt die Verwendung eines Pulsmessgürtels voraus: das Cockpit verfolgt im Verlauf des Tests die Veränderungen des Pulsniveaus und berechnet auf Grund dessen die maximale Sauerstoffaufnahme-fähigkeit der Testperson. Die maximale Sauerstoffaufnahme-fähigkeit ihrerseits ist die beste Methode das physische Konditionsniveau zu bestimmen. Im Anschluss an den Test werden von der Steuerung verschiedene Informationen zu Ihrer Fitness bereitgestellt: Beschreibung und Zahlenwerte (ml/kg/min).

## VORBEREITUNG AUF DEN TEST

1. Stellen Sie sicher, dass zu Ihrem Benutzernamen aktuelle Daten vorhanden sind. Diese werden von der Steuerung als Grundlage für den Fitnessstest verwendet.
2. Wählen Sie FITNESS TEST aus.
3. Wählen Sie die für Sie geeignetste Fitnesskategorie in der Liste aus:
  - A) inaktiv = keine sportliche Betätigung, schwache physische Kondition
  - B) aktiv = sportliche Betätigung, durchschnittliche oder gute physische Kondition
  - C) Sportler = betreibt aktiv Sport, gute oder ausgezeichnete Kondition
4. Die Anzeige zeigt die der jeweiligen Fitness-Kategorie entsprechende Testform an.
  - A) Stufendauer = Dauer der Leistungslevels während des Tests
  - B) Erste Belastung = Leistungslevel, von welchem der Test beginnt
  - C) Stufenleistung = Leistungslevel pro Stufe (bestimmte Anzahl Watt); beim Test gibt es mehrere Stufen
5. Bestätigen Sie die Auswahl durch Drücken der Auswahl Taste.
6. Gegebenenfalls können Sie Ihre Zielherzfrequenz mit Hilfe des Schiebers korrigieren. Bestätigen Sie die Einstellungen mit Hilfe der Auswahl Taste.
7. Sobald Sie die Herzfrequenz erreichen, die den Zielwert für diesen Test bildet, werden Sie über das Display informiert, dass Sie den Test beenden können. Starten Sie den Test, indem Sie die Taste drücken.

## DURCHFÜHRUNG DES TESTS

1. In der Anzeige erscheint die gewählte Testformstufe. Starten Sie den Test, indem Sie mit dem Treten beginnen. Ihr Pulsdiagramm erscheint in der Anzeige als rote Kurve, die sich im Verlauf des Tests aktualisiert. Eine gestrichelte rote Linie markiert Ihr Zielpulsniveau.
2. Wenn Ihr Puls das Zielniveau erreicht hat, ertönt ein Signalton und in der Anzeige erscheint eine Benachrichtigung. Wir empfehlen Ihnen den Test an dieser Stelle zu beenden, aber falls Ihre Kondition hinreichend gut ist, können Sie den Test fortsetzen. Wenn Sie Ihr Zielpulsniveau richtig angegeben haben (bzw. wenn Sie Ihr maximales Pulsniveau hinlänglich genau ermittelt haben), verbessert eine Fortsetzung des Tests dessen Genauigkeit nicht weiter. Falls Sie eine zu hohe maximale Herzfrequenz eingeben, wird Ihre Fitness vom System überschätzt. Sollten Sie eine

zu geringe maximale Herzfrequenz eingeben, wird gleichermaßen Ihre Fitness vom System unterschätzt.

3. Drücken Sie die Taste BACK/STOP, oder halten Sie die Tretbewegung an, um den Test zu beenden, sobald Sie die Zielherzfrequenz erreicht haben. Das Cockpit zeigt daraufhin in der Anzeige das Testergebnis an:

- A) aerobe Fitness = eine Bewertung Ihres Konditionsniveaus in dem Leistungsbereich, den Sie am häufigsten benutzen, und die am besten den Zustand Ihrer physischen gesundheitlichen Kondition wiedergibt.
- B) MET-Wert = eine Zahl, die angibt, um welches Vielfache die Sauerstoffaufnahme Ihres Organismus gesteigert werden kann im Vergleich zum völligen Ruhezustand.
- C) ml/kg/min = eine Zahl, die angibt, wie viel Milliliter Sauerstoff in der Minute pro Kilogramm jeweiliges Körpergewicht Ihr Organismus aufnehmen kann.
- D) l/min = eine Zahl, die angibt, wie viel Liter Sauerstoff pro Minute Ihr Organismus aufnehmen kann. Im Unterschied zum vorigen Wert wird hierbei das Körpergewicht nicht berücksichtigt.
- E) Wmax = eine Bewertung Ihres maximalen Leistungsniveaus gemessen in Watt.
- F) W/kg = das Verhältnis zwischen Ihrem maximalen Leistungsniveau und Ihrem Gewicht.

<b>HERREN / MAXIMALE SAUERSTOFF-AUFNAHMEKAPAZITÄT (VO2MAX)</b>							
<b>1 = SEHR SCHLECHT, 7 = SEHR GUT</b>							
ALTER	1	2	3	4	5	6	7
18-19	<33	33-38	39-44	45-51	52-57	58-63	>63
20-24	<32	32-37	38-43	44-50	51-56	57-62	>62
25-29	<31	31-35	36-42	43-48	49-53	54-59	>59
30-34	<29	29-34	35-40	41-45	46-51	52-56	>56
35-39	<28	28-32	33-38	39-43	44-48	49-54	>54
40-44	<26	26-31	32-35	36-41	42-46	47-51	>51
45-49	<25	25-29	30-34	35-39	40-43	44-48	>48
50-54	<24	24-27	28-32	33-36	37-41	42-46	>46
55-59	<22	22-26	27-30	31-34	35-39	40-43	>43
60-65	<21	21-24	25-28	29-32	33-36	37-40	>40
60-65	<21	21-24	25-28	29-32	33-36	37-40	>40

<b>DAMEN / MAXIMALE SAUERSTOFF-AUFNAHMEKAPAZITÄT (VO2MAX)</b>							
<b>1 = SEHR SCHLECHT, 7 = SEHR GUT</b>							
ALTER	1	2	3	4	5	6	7
18-19	<28	28-32	33-37	38-42	43-47	48-52	>52
20-24	<27	27-31	32-36	37-41	42-46	47-51	>51
25-29	<26	26-30	31-35	36-40	41-44	45-49	>49
30-34	<25	25-29	30-33	34-37	38-42	43-46	>46
35-39	<24	24-27	28-31	32-35	36-40	41-44	>44
40-44	<22	22-25	26-29	30-33	34-37	38-41	>41
45-49	<21	21-23	24-27	28-31	32-35	36-38	>38
50-54	<19	19-22	23-25	26-29	30-32	33-36	>36
55-59	<18	18-20	21-23	24-27	28-30	31-33	>33
60-65	<16	16-18	19-21	22-24	25-27	28-30	>30
60-65	<16	16-18	19-21	22-24	25-27	28-30	>30

### SPEICHERSTICK

Der Speicherstick enthält alle T-ROAD- und T-MUSIC-Programme und einige der T-RIDE-Programme.

WICHTIG: Die Programme im Speicherstick können nur ausgeführt werden, wenn der Speicherstick mit dem Anschluss der Steuerung verbunden ist.

### INTERNET

Herstellung einer Verbindung ins Internet:

1. Drücken Sie auf die WiFi-Taste, um Ihre WLAN-Verbindung einzustellen.
  2. Wählen Sie entweder ein bestehendes Netzwerk aus der Liste aus oder wählen Sie 'MANUAL SETUP', um eine neue Netzwerkverbindung einzurichten.  
Hinweis: WLAN-Netzwerke mit verborgener SSID werden nicht unterstützt.
  3. Geben Sie den Namen des Netzwerkes ein.
  4. Wählen Sie eine Sicherheitseinstellung (für eine Erläuterung der Sicherheitseinstellungen informieren Sie sich bei Ihrem WLAN-Zugangspunkt).
  5. Geben Sie den richtigen Sicherheitscode (Passwort) ein. Achten Sie dabei auf Groß- und Kleinschreibung.
  6. Wählen Sie den Verbindungsmodus: manuelle oder automatische Verbindung.
- Bei Problemen mit Ihrer Internetverbindung wenden Sie sich bitte an Ihren Internetanbieter.

### WARNUNG:

Kontrollieren Sie bitte Ihr Internetabonnement. Je nach Vertragsart können die Gebühren nach übertragener Datenmenge oder nach Zeit abgerechnet werden. Bei Auswahl der automatischen Verbindung wird eine dauerhafte Verbindung ins Internet hergestellt, sodass größere Datenmengen übertragen werden können. Durch Auswahl von manueller Verbindung können Sie den Verbindungszeitpunkt selbst festlegen. Denken Sie bitte daran, Ihre WLAN-Verbindung zu trennen, wenn Sie mit dem Training fertig sind, denn die Verbindung bleibt auch im Sleep-Modus aktiv. Tunturi übernimmt keine Haftung für Kosten, die im Internetmodus entstehen; wir stellen lediglich die Möglichkeit zur Verfügung, eine Verbindung zu einem bestehenden Netzwerk herzustellen, unabhängig von etwaigen Gebühren.

### GEBRAUCH DES INTERNET

Der Browser auf dem Monitor kann nur für die Navigation im Internet benutzt werden. In beschränktem Umfang können Dateien heruntergeladen und auf dem Monitor verwendet werden (ca. 80 Mb). Dies gilt nur für Mediendateien. Beachten Sie bitte, dass dieser Browser nicht mit Flash-Filmen kompatibel ist, d. h. Flash-Inhalte können nicht angezeigt werden.

### HAFTUNGSAUSSCHLUSS

Bitte beachten Sie, dass die Nutzung des Internet (Navigation und Downloads) ebenso wie die Verwendung externer Geräte (USB/iPod) gewisse Risiken für den Monitor mit sich bringt. Tunturi übernimmt keinerlei Haftung für Schäden, die durch die Nutzung des Internet oder die Verwendung externer Geräte entstehen oder für daraus resultierende Schäden durch Viren, Spyware oder Malware. Besuchen Sie grundsätzlich nur vertrauenswürdige Websites und unterziehen Sie externe Geräte einer Viren-/Spyware-/Malware-Prüfung, ehe Sie sie an den Monitor anschließen.

### SOFTWARE-AKTUALISIERUNG

Wir bemühen uns, die Qualität unserer Software ständig zu verbessern. Bitte informieren Sie sich regelmäßig auf unserer Website [www.tunturi.com](http://www.tunturi.com), ob Software-Aktualisierungen für eine Funktionalitäts- oder Leistungsverbesserung für Ihren Monitor zur Verfügung stehen.

# WARTUNG

---

Das Gerät braucht nur sehr wenig Wartung. Prüfen Sie dennoch von Zeit zu Zeit, dass alle Schrauben und Muttern fest sitzen.

- Bitte trocknen Sie nach jedem Training alle Teile des Gerätes mit einem weichen, saugfähigen Tuch. Verwenden Sie keine Lösungsmittel.
- Entfernen Sie niemals die Schutzverkleidung des Gerätes.

Die elektromagnetische Bremse erzeugt ein Magnetfeld. Dadurch können Uhrwerke oder Magnetstreifen auf Kreditkarten beschädigt werden, wenn Sie in direkten Kontakt mit den Magneten kommen. Versuchen Sie niemals, die elektromagnetische Bremse zu lösen oder zu entfernen!

Die elektromagnetische Bremse basiert sich auf elektromagnetischem Widerstand; Widerstandsniveau wird fortlaufend elektronisch gemessen und als Watt im Cockpit angezeigt. Folglich braucht Ihr Tunturi Ergometer nicht nachgeiecht werden.

## BETRIEBSSTÖRUNGEN

---

**! BITTE BEACHTEN!** Trotz kontinuierlicher Qualitätsüberwachung können vereinzelt an den Geräten durch einzelne Komponenten verursachte Funktionsstörungen auftreten. Dabei ist es nicht angebracht, das ganze Gerät zur Reparatur zu bringen, da der Fehler meistens durch Austauschen der defekten Komponente behoben werden kann.

Wenn das Gerät während des Gebrauchs nicht einwandfrei funktioniert, wenden Sie sich bitte umgehend an die für Sie zuständige Tunturi-Alleinvertretung. Beschreiben Sie das Problem, die Einsatzbedingungen und teilen Sie das Kaufdatum und die Typenbezeichnung und die Seriennummer Ihres Gerätes mit.

Wenden Sie sich an Ihre nationale Tunturi-Vertretung, wenn Sie Ersatzteile benötigen. Beschreiben Sie die Einsatzbedingungen und teilen Sie das Kaufdatum und die Seriennummer des Gerätes mit. Die Ersatzteilnummern finden Sie in der Liste am Ende dieser Anweisung. Nur Teile in der Ersatzteilliste dürfen verwendet werden.

## TRANSPORT UND LAGERUNG

---

Bitte befolgen Sie diese Hinweise, wenn Sie das Ergometer tragen oder bewegen, denn falsches Anheben kann zu Rückenverletzungen oder anderen Unfällen führen:

Schalten Sie das Gerät immer aus und ziehen Sie immer erst den Netzstecker aus der Wandsteckdose, bevor Sie das Gerät an einen anderen Platz stellen!

Stellen Sie sich hinter das Gerät. Greifen Sie mit einer Hand den Sitz, mit der anderen Hand den Lenker und setzen Sie Ihren Fuss auf das hintere Fussrohr. Ziehen Sie nun das Gerät gegen sich, so dass es auf seinen Transportrollen steht. Bewegen Sie das Gerät auf den Transportrollen. Senken Sie das Gerät ab, indem Sie den Lenker weiterhin festhalten, und bleiben Sie dabei immer hinter dem Gerät.

Ein Verschieben des Gerätes kann manche Fussbodenmaterialien beschädigen, z.B.

Holzparkettböden. In diesem Fall müssen Sie den Boden vorher schützen.

Um Funktionsstörungen zu vermeiden, das Gerät in einem möglichst trockenen Raum mit gleichbleibender Temperatur vor Staub geschützt aufbewahren und benutzen.

## TECHNISCHE DATEN

---

Länge	99 cm
Breite	70 cm
Höhe	116 cm
Gewicht	46 kg

Dieses Gerät wurde nach den Richtlinien der EU für elektromagnetische Einheitlichkeit, EMC (89/336/EWG) und europäische Niederspannungsrichtlinie (72/23/EWG) gestaltet und tragen das CE Konformitäts-Zeichen.

Die Tunturi-Ergometer E90 erfüllen die EN-Präzisions- und Sicherheitsstandards (Klasse SA, EN-957, Teil 1 und 5). Aufgrund unserer kontinuierlichen Produktentwicklung behält sich Tunturi das Recht vor, Spezifikationen ohne vorherige Ankündigung zu verändern.

**! BITTE BEACHTEN!** Die Hinweise bezüglich der Montage, der Benutzung und der Wartung Ihres Geräts müssen sorgfältig beachtet werden. Die Garantie schliesst keine Beschädigungen ein, die auf Fahrlässigkeit bei der Montage, Einstellung und Wartung, wie sie in diesem Handbuch beschrieben wurden, zurückzuführen sind. Werden Modifizierungen ohne das Einverständnis der Accell Fitness vorgenommen, erlischt jeglicher Garantieanspruch!

**WIR WÜNSCHEN IHNEN VIELE ANGENEHME TRAININGSTUNDEN MIT IHREM NEUEN TUNTURI TRAININGSPARTNER!**



## TABLE DES MATIERES

ASSEMBLAGE	25
REGLAGES	26
S'ENTRAÎNER AVEC TUNTURI	27
COMPTEUR	29
UNITE DES COMPTEURS	36
MAINTENANCE	36
TRANSPORT ET RANGEMENT	36
CARACTERISTIQUES TECHNIQUES	36

### BIENVENUE DANS LE MONDE DE L'ENTRAÎNEMENT TUNTURI !

Votre choix prouve que vous souhaitez réellement investir dans votre bien-être et votre condition ; il révèle aussi que vous savez apprécier la haute qualité et l'élégance. En choisissant un équipement sportif Tunturi, vous adoptez un produit de premier choix comme partenaire pour un entraînement motivant en toute sécurité. Quel que soit votre objectif, nous sommes persuadés que cet appareil est celui qui vous y conduira. Adressez-vous à [WWW.TUNTURI.COM](http://WWW.TUNTURI.COM) pour plus d'informations.

## QUELQUES CONSEILS ET AVERTISSEMENTS

Lisez attentivement ce mode d'emploi avant d'assembler, d'utiliser ou d'effectuer l'entretien de votre appareil sportif. Veuillez conserver ce guide, il contient les renseignements dont vous aurez besoin, maintenant et plus tard, pour utiliser et entretenir votre appareil. Suivez toujours les instructions très rigoureusement.

### VOTRE SANTE

- Consultez votre médecin avant de commencer vos exercices.
- Si vous êtes pris de nausées ou de vertiges ou sentez d'autres symptômes anormaux pendant l'entraînement, interrompez immédiatement la session et consultez votre médecin.
- Afin d'éviter toutes douleurs musculaires, commencez et terminez vos sessions par des mouvements d'échauffement (pédalage lent avec une résistance faible). N'oubliez pas non plus d'effectuer des mouvements d'étirement pour terminer votre session.

### VOTRE MILIEU D'ENTRAÎNEMENT

- L'appareil ne doit pas être utilisé à l'extérieur.
- Placez l'appareil sur une surface aussi plane que possible. Placez une protection sous l'appareil.
- Assurez-vous d'une ventilation suffisante, mais évitez toutefois les courants d'air.
- En entraînement, l'appareil supporte des températures de 10°C à 35°C. L'appareil peut aussi être rangée

à une température comprise entre - 15°C et +40°C. L'hygrométrie du local d'utilisation ou de rangement de l'appareil ne doit jamais excéder 90 %.

### L'UTILISATION DE L'APPAREIL

- Si vous décidez de laisser un enfant utiliser l'appareil, prenez toujours en considération l'état de son développement physique et mental ainsi que son caractère. Donnez à l'enfant les conseils nécessaires pour une bonne utilisation de l'appareil et ne le laissez jamais seul.
- Commencez par vérifier que l'appareil est en parfait état de marche. N'utilisez jamais un appareil défectueux.
- Ne vous accoudez jamais à l'unité des compteurs !
- Appuyez sur les touches du bout des doigts : vos ongles risquent d'abîmer la membrane des touches.
- N'utilisez jamais l'appareil avec les protections latérales démontées.
- Ne montez jamais à deux ou à plusieurs sur l'appareil. Montez et descendez de l'elliptique en vous tenant à la poignée fixe.
- Prenez toujours appui avec vos mains sur le guidon en montant sur l'appareil ou en descendant.
- Portez des vêtements et chaussures appropriés.
- Protégez l'unité des compteurs d'une exposition au soleil et séchez toujours la surface de l'unité des compteurs si des gouttes de sueur sont tombées dessus.
- N'effectuez jamais d'autres opérations de réglage et d'entretien que celles mentionnées dans ce guide et suivez bien les conseils d'entretien qui y sont donnés.
- L'appareil ne doit pas être utilisé par des personnes pesant plus de 150 kg.
- Pour information complémentaire sur la garantie de votre équipement de fitness, veuillez consulter la brochure de garantie livrée avec l'appareil. Veuillez noter que la garantie ne couvre pas les dommages causés par un manque de précaution quant aux instructions de montage et d'entretien décrites dans ce mode d'emploi.

## ASSEMBLAGE

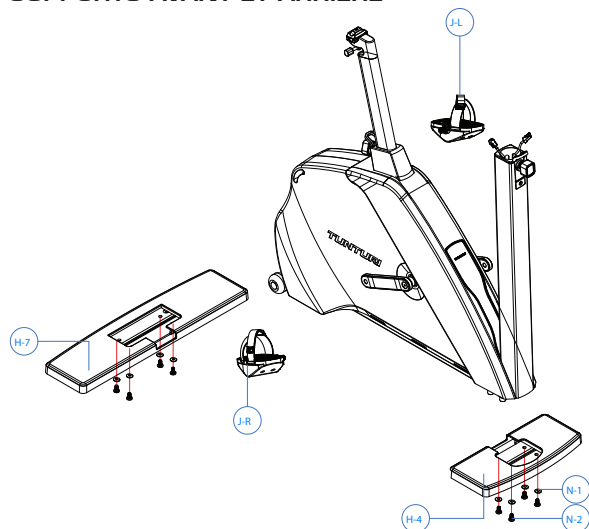
Commencez par vérifier que les pièces suivantes se trouvent bien dans l'emballage:

1. Châssis
2. Support arrière et avant
3. Pédales (2)
4. Tube de support du guidon
5. Interface
6. Transformateur
7. Accessoires de montage (le contenu avec \* dans la liste des pièces détachées) : conservez les outils de montage, vous pourrez en avoir besoin pour régler l'appareil par exemple

S'il vous manque une pièce, contactez votre distributeur et indiquez-lui le modèle, le numéro de série de l'appareil et la référence de la pièce manquante. Vous trouverez la liste des pièces détachées à la fin de ce guide. L'emballage renferme un sachet de silicate pour l'absorption de l'humidité pendant le stockage et le transport. Veuillez le mettre au rebut après avoir

déballé l'appareil. Les termes droit, gauche, avant et arrière sont définis par rapport à la position d'exercice. Nous recommandons la présence de deux adultes pour l'installation de l'équipement.

## SUPPORTS AVANT ET ARRIERE



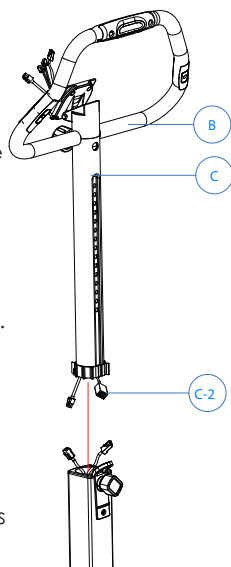
En maintenant la selle, inclinez l'équipement vers l'arrière et faites-le reposer sur ses roues de transport. Fixez le support arrière par-dessous à l'aide de quatre vis hexagonales à tête creuse et des rondelles. Fixez le support avant au cadre à l'aide de deux vis et de deux rondelles. Remplacez l'équipement en position normale (il doit reposer sur ses pieds de support).

## PEDALES

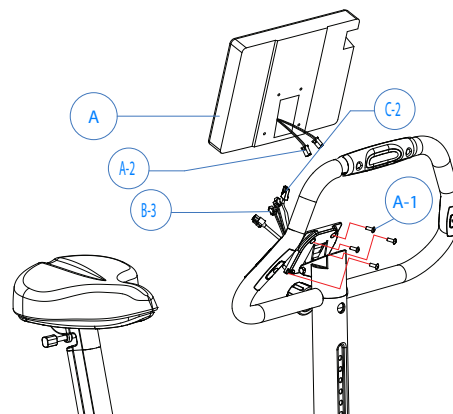
Les pédales sont repérées par un marquage L (gauche) et R (droite) sur leur axe. Fixez la pédale gauche sur la manivelle gauche en la tournant dans le sens inverse des aiguilles d'une montre et la pédale droite sur la manivelle droite, en la tournant dans le sens des aiguilles d'une montre. Fixer les courroies des pédales en commençant par les fixations situées sur l'équipement. Enfoncer la courroie à travers la bague située sur la pédale et appuyer l'ouverture de la courroie sur la protubérance de la pédale. Fixer les courroies sur la partie externe de la pédale. Enfoncer la courroie à travers la boucle de verrouillage, ce qui va automatiquement la verrouiller. La longueur de la courroie est réglable. Régler la longueur à l'aide des boucles de verrouillage.

## GUIDON

Reliez le câble sortant du tube du cadre au connecteur situé en bas du guidon. Déverrouillez la molette de réglage du guidon en la tournant plusieurs fois dans le sens inverse des aiguilles d'une montre, puis en la tirant vers l'extérieur. Faites pénétrer, avec précaution, le fil à l'intérieur du tube du châssis. Insérez le guidon dans le tube du cadre avant. Relâchez la molette lorsque le guidon est réglé à la hauteur souhaitée. Assurez-vous que le guidon est fixé correctement. Serrez la molette de réglage en la tournant dans le sens des aiguilles d'une montre.

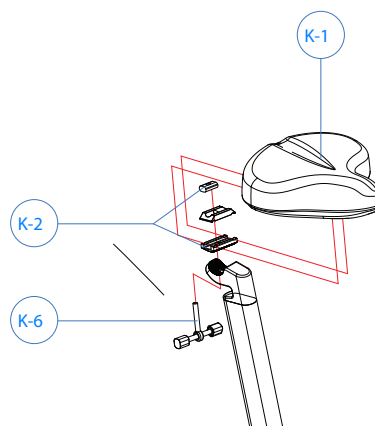


## COMPTEUR



Connectez les câbles du guidon aux connecteurs correspondants sur le compteur. Insérez les câbles connectés dans le compteur, mais assurez-vous qu'ils ne sont pas endommagés au moment de connecter le compteur. Placez le compteur à l'extrémité du tube de support du guidon et maintenez-le en place à l'aide de 4 vis de fixation.

## SATTEL



Desserrez la vis de blocage du support de la selle, puis tournez le levier de verrouillage supérieur afin de l'aligner avec l'équipement. Mettez le siège en place dans les rainures du levier de verrouillage inférieur. Tournez le levier de verrouillage supérieur vers le haut des rails de guidage du siège, puis fixez le siège en serrant la vis de blocage.

## CORDON D'ALIMENTATION

Brancher le cordon de secteur du transformateur sur la prise et la fiche du transformateur sur le châssis de l'équipement, sur le raccord situé dans la partie supérieure du support arrière. Pour protéger le connecteur, il est conseillé de nouer le cordon autour de la boucle d'un roulement de transport.

## REGLAGES

### REGLAGE DE LA SELLE

Régler la selle à la hauteur adéquate ; en règle générale, la voûte plantaire doit toucher la pédale, au plus bas de sa course, quand la jambe est pratiquement tendue. Resserrez la vis de blocage. Maintenez la selle d'une main et, de l'autre main, tirez la molette de réglage vers l'extérieur pour que le guidon puisse coulisser vers le

haut ou le bas. Quand la selle est à la hauteur souhaitée, relâchez le bouton et le verrouillage : la selle se bloque en place. Tournez le bouton de verrouillage dans le sens des aiguilles d'une montre pour le serrer.

**! ATTENTION!** Assurez-vous toujours que le bouton de verrouillage est correctement serré avant de commencer votre entraînement !

Vous pouvez également régler manuellement l'inclinaison et l'écartement du siège. Pour débloquer la selle, tournez le levier de verrouillage situé sous la selle dans le sens contraire des aiguilles d'une montre. Réglez la position de la selle, puis resserrez le levier de verrouillage en le tournant dans le sens des aiguilles d'une montre.

### REGLAGE DU GUIDON

Desserrez les vis de fixation du guidon et réglez celui-ci à l'angle adéquat. Resserrez les vis de fixation. Le design polyvalent du guidon vous permet de choisir la position d'entraînement qui vous convient le mieux : position verticale ou inclinée en avant. Dans les deux cas, gardez toujours votre dos bien droit.

Pour régler la hauteur du guidon, desserrez la molette de réglage sur le tube avant. Tirez-la vers l'extérieur pour pouvoir faire coulisser le guidon vers le haut ou le bas. Relâchez la molette lorsque le guidon est réglé à la hauteur souhaitée. Vous entendez un clic lorsque le tube de fixation du guidon se met en place. Serrez la molette de réglage en la tournant dans le sens des aiguilles d'une montre.

### REGLAGE DE L'INCLINAISON DU COMPTEUR

Réglez l'inclinaison du compteur en fonction de votre taille et de votre position d'exercice.

### REGLAGE DES PIEDS DE SUPPORT

Si le vélo n'est pas stable, réglez les vis situées sous les pieds de support jusqu'à ce que l'équipement soit stable.

## S'ENTRAINER AVEC TUNTURI

Le pédalage est une excellente forme d'exercice aérobic qui lie à la fois modération et durée dans les efforts. Un tel exercice vise à améliorer votre capacité maximale d'absorption d'oxygène, donc votre endurance et votre condition physique. La capacité du corps à "brûler" la graisse est directement liée à sa capacité de transporter l'oxygène. L'exercice aérobic est avant tout un exercice agréable qui devra faire apparaître une légère sueur sur votre peau mais ne devra en aucun cas vous essouffler. Pour vous remettre en forme, il vous faut pratiquer des exercices physiques au moins trois fois par semaine pendant 30 minutes à chaque fois et pour vous maintenir en bonne condition, au moins deux fois par semaine. Débutez avec une vitesse de pédalage et une résistance faibles. Si vous êtes obèse, un effort excessif pourrait surcharger votre système cardiovasculaire. Au fur et à mesure que votre condition s'améliore, vous pourrez augmenter résistance et vitesse.

### NIVEAU D'ENTRAINEMENT

Quel que soit votre objectif, vous obtiendrez les meilleurs résultats en vous entraînant à un niveau d'effort approprié, le meilleur contrôle étant votre pouls.

### MESURE DU POULS A L'AIDE DES CAPTEURS DES POIGNEES

Le pouls est mesuré au niveau des mains par des capteurs situés sur les tubes de poignées. Les capteurs mesurent les impulsions électriques émises par les battements du cœur. Les mesures débutent lorsque les deux capteurs des poignées sont touchés simultanément. Pour que les mesures soient fiables, votre peau doit être légèrement humide et rester en contact permanent avec les capteurs. Si votre peau est trop sèche ou trop humide, la mesure de la fréquence cardiaque au niveau des mains sera moins fiable. Maintenez le haut de votre corps et les paumes de vos mains relâchés et immobiles.

### MESURE DU RYTHME CARDIAQUE SANS FIL

La façon la plus fiable de mesurer le pouls est de le faire à l'aide d'un couple émetteur-récepteur sans fil, dans lequel les électrodes de l'émetteur fixé au niveau de la poitrine envoient les pulsations à l'unité des compteurs à travers le champ électromagnétique existant entre l'émetteur et le récepteur.

**! ATTENTION!** Si vous utilisez un stimulateur cardiaque, vérifiez auprès de votre médecin que vous pouvez utiliser un cardiofréquence-mètre sans fil.

Si vous désirez mesurer votre pouls avec la méthode sans fil, commencez par bien mouiller, avec de l'eau ou votre salive, les électrodes de la ceinture de l'émetteur, qui seront en contact avec la peau de votre poitrine. Si vous fixez la ceinture sur votre T-shirt, mouillez le T-shirt aux endroits où se posent les électrodes. Placez la ceinture flexible sous les muscles pectoraux de façon à ce que les électrodes de l'émetteur restent constamment en contact avec votre peau tout au long de l'exercice. Ne serrez cependant pas trop la ceinture: vous devez pouvoir respirer normalement. L'émetteur peut transmettre votre pouls à l'unité des compteurs sur une distance d'un mètre au maximum.

Si les électrodes ne sont pas suffisamment mouillées, l'écran n'affichera pas votre pouls. Donc si les électrodes se sont asséchées en contact avec votre peau, il vous faudra les mouiller à nouveau. Pour mesurer le pouls avec un maximum de fiabilité, laissez les électrodes s'échauffer, par contact sur votre peau, à la température de votre corps. Dans le cas où plusieurs équipements de mesure du pouls sans fils sont utilisés en même temps, la distance entre eux doit être d'au moins 1,5 m. D'autre part, si on ne dispose que d'un récepteur mais de plusieurs émetteurs, une seule personne portant un émetteur doit se trouver à l'intérieur de la zone de portée du récepteur, lorsque la mesure du pouls est en cours.

### NIVEAU D'ENTRAINEMENT

Quel que soit votre objectif, vous obtiendrez les meilleurs résultats en vous entraînant à un niveau d'effort approprié, le meilleur contrôle étant votre pouls.

### MESURE DU POULS A L'AIDE DES CAPTEURS DES POIGNEES

Le pouls est mesuré au niveau des mains par des capteurs situés sur les tubes de poignées. Les capteurs mesurent les impulsions électriques émises par les battements du cœur. Les mesures débutent lorsque les deux capteurs des poignées sont touchés simultanément. Pour que les mesures soient fiables, votre peau doit être légèrement humide et rester en contact permanent avec les capteurs. Si votre peau est trop sèche ou trop

humide, la mesure de la fréquence cardiaque au niveau des mains sera moins fiable. Maintenez le haut de votre corps et les paumes de vos mains relâchés et immobiles.

### MESURE DU RYTHME CARDIAQUE SANS FIL

La façon la plus fiable de mesurer le pouls est de le faire à l'aide d'un couple émetteur-récepteur sans fil, dans lequel les électrodes de l'émetteur fixé au niveau de la poitrine envoient les pulsations à l'unité des compteurs à travers le champ électromagnétique existant entre l'émetteur et le récepteur.

**! ATTENTION!** Si vous utilisez un stimulateur cardiaque, vérifiez auprès de votre médecin que vous pouvez utiliser un cardiofréquencemètre sans fil.

Si vous désirez mesurer votre pouls avec la méthode sans fil, commencez par bien mouiller, avec de l'eau ou votre salive, les électrodes de la ceinture de l'émetteur, qui seront en contact avec la peau de votre poitrine. Si vous fixez la ceinture sur votre T-shirt, mouillez le T-shirt aux endroits où se posent les électrodes. Placez la ceinture flexible sous les muscles pectoraux de façon à ce que les électrodes de l'émetteur restent constamment en contact avec votre peau tout au long de l'exercice. Ne serrez cependant pas trop la ceinture: vous devez pouvoir respirer normalement. L'émetteur peut transmettre votre pouls à l'unité des compteurs sur une distance d'un mètre au maximum.

Si les électrodes ne sont pas suffisamment mouillées, l'écran n'affichera pas votre pouls. Donc si les électrodes se sont asséchées en contact avec votre peau, il vous faudra les mouiller à nouveau. Pour mesurer le pouls avec un maximum de fiabilité, laissez les électrodes s'échauffer, par contact sur votre peau, à la température de votre corps. Dans le cas où plusieurs équipements de mesure du pouls sans fils sont utilisés en même temps, la distance entre eux doit être d'au moins 1,5 m. D'autre part, si on ne dispose que d'un récepteur mais de plusieurs émetteurs, une seule personne portant un émetteur doit se trouver à l'intérieur de la zone de portée du récepteur, lorsque la mesure du pouls est en cours.

Prenez en compte dans vos vêtements d'entraînement le fait que certaines fibres utilisées dans les vêtements (ex. polyester, polyamide) génèrent de l'électricité statique, ce qui peut entraîner un manque de fiabilité de la mesure du rythme cardiaque. Un téléphone portable, une télévision et d'autres appareils électriques créent un champ électromagnétique autour d'eux, ce qui pose des problèmes dans la mesure du rythme cardiaque.

Déterminez d'abord votre rythme cardiaque maximum c'est à dire le rythme à partir duquel le pouls n'augmente plus, même si l'effort est accru. Si vous ne connaissez pas votre pouls maximum, utilisez le formule indicative :

### 220 - ÂGE

Notez bien que c'est une valeur moyenne et que les maxima varient d'une personne à l'autre. Le pouls maximum diminue, en moyenne, d'une pulsation par année. Si vous faites partie d'un des groupes «à risque», consultez un médecin pour qu'il mesure votre pouls maximum. Nous avons déterminé trois zones de pouls pour vous aider dans vos entraînements soumis à un objectif.

**DÉBUTANT:** 50-60 % du pouls maximum

Ce niveau convient aussi aux personnes désirent perdre du poids ou n'ayant pas pratiqué d'activité physique depuis longtemps ainsi qu'aux convalescents. Il est recommandé de s'entraîner au moins une demi-heure trois fois par semaine. Un exercice régulier améliore, de façon décisive, les performances respiratoires et circulatoires du débutant et les effets d'une meilleure forme sont très vite ressentis.

**ENTRAÎNEMENT:** 60-70 % du pouls maximum

Ce niveau est parfait pour l'amélioration et le maintien d'une bonne condition physique. Il permet de renforcer le coeur et les poumons tout en respectant un effort raisonnable. S'entraîner au moins trois fois par semaine pendant une demi-heure minimum. Pour progresser davantage, augmentez soit la fréquence soit la durée des séances mais pas les deux en même temps !

**ENTRAÎNEMENT ACTIF:** 70-80 % du pouls maximum

L'exercice à ce niveau ne convient qu'aux personnes en excellente condition physique et suppose un entraînement antérieur de longue date.

## CONSOLE



### TOUCHES (sur le côté)

Bouton de mise en marche  
Augmentation/diminution du volume  
Augmentation/diminution de la luminosité

### ÉCRAN TACTILE


Ce moniteur est pourvu d'un écran tactile. Il vous suffit d'effleurer du doigt les boutons s'affichant à l'écran. N'appuyez pas sur l'écran. Cela pourrait endommager sa fonction tactile. Évitez tout contact de l'écran avec des objets tranchants.

### MEDIA (MULTIMEDIA)

Ce moniteur possède deux ports USB (format FAT/FAT32), permettant de lire des fichiers multimédias. Types de fichiers pris en charge : MP3, AAC (MP4), Ogg Vorbis, WAV, MPEG-1, Ogg Theora, AVI, MKV, Ogg, MOV. La lecture des fichiers protégés par DRM n'est pas prise en charge.

Il possède également un connecteur (30 broches) pour iPod/iPhone, qui permet de raccorder la plupart des produits Apple.

Vous pouvez utiliser le bouton Media pour parcourir votre iPod/iPhone et lire son contenu musical. Cette connexion ne permet pas de lire des fichiers vidéo. Vous pouvez accéder aux fichiers de musique sur votre iPod / iPhone dans le répertoire user / Apple.

 **Remarque :** bien que ce moniteur offre la possibilité de connecter votre iPod/iPhone, Tunturi décline toute responsabilité concernant les dommages occasionnés par la connexion du matériel et des logiciels à votre appareil.

## BOUTONS À L'ÉCRAN

### 1. TRAINING (ENTRAÎNEMENT)

Le bouton TRAINING permet de sélectionner votre programme d'entraînement.

### 2. USER (UTILISATEUR)

Le bouton USER permet d'ouvrir le menu USER.

Le menu USER comprend les fonctions suivantes :

CREATE USER, SELECT/CHANGE USER, EDIT USER, DELETE USER, SETTINGS et USER LOG.

### 3. INTERNET

Ce bouton permet de naviguer sur Internet (uniquement en cas de connexion sans fil).

### 4. E-Book reader (Lecteur de livre électronique)

Ce bouton permet d'ouvrir le lecteur de livre électronique. Le moniteur détecte les livres électroniques stockées sur votre clé USB. Il est compatible avec les formats suivants : ePub, FictionBook (fb2), Plucker, Open E-Book, Open Reader, PalmDoc, Psion Text, Mobipocket, texte brut.

### 5. WIFI SETTINGS (PARAMÈTRES WIFI)

Ce bouton permet de configurer votre connexion réseau. Pour en savoir plus, consultez le chapitre INTERNET.

### 6. BACK/STOP (RETOUR/STOP)

Le bouton BACK/STOP permet de revenir au menu principal et, pendant une séance d'entraînement, de mettre fin à l'entraînement ou d'effectuer des pauses.

### 7. ZOOM

Zoom sur l'écran graphique d'affichage du profil durant l'entraînement. Appuyer sur la touche ZOOM permet d'agrandir l'image du profil sur l'écran (agrandissement deux, quatre, huit et seize fois), au bout de la cinquième pression, l'image du profil revient à sa taille initiale.

### 8. KEYBOARD (CLAVIER)

Ce bouton permet d'afficher ou de masquer le clavier embarqué.

### 9. BOUTON MEDIA (MULTIMÉDIA)

Le bouton Media permet d'ouvrir le lecteur multimédia, qui détecte automatiquement les films (format MPEG-1) et la musique (MP3, WMV, WAV). Ce bouton vous permet de sélectionner et de lire le contenu de votre clé USB.

## ÉCRAN

Au cours de la séance, vous pouvez visualiser les valeurs d'entraînement suivantes sur la gauche de l'écran : durée, distance, énergie dépensée, effort, vitesse de pédalage (RPM), pouls et vitesse


# UTILISATION DU COMPTEUR

## Mise en marche

Le compteur se met en route dès que l'appareil est mis sous tension, puis appuyant sur la touche de mise en marche située sur le côté du moniteur. Le compteur affiche alors le menu TRAINING.

## Mode veille

Lorsqu'il n'est pas utilisé (pédalage ou appui sur les touches) pendant 5 minutes, le compteur passe automatiquement en mode veille. Touchez l'écran pour le réactiver.

 **ARRÊT** Pour arrêter la machine, maintenez la touche Power, située sur le côté du moniteur, enfoncée pendant plusieurs secondes, puis débranchez l'adaptateur secteur de la machine.


Une fois la session terminée, l'interface conserve en mémoire les valeurs du dernier exercice pour 5 minutes après quoi elles se remettent à zéro.


Des messages de conseil s'affichent à l'écran. Ils sont précédés par la lettre i sur un fond blanc. Vous pouvez supprimer cet affichage à l'aide du curseur.

## MENU USER

Vous accédez au menu USER en appuyant sur le bouton USER. Nous recommandons de choisir un identifiant d'utilisateur et que vous enregistriez vos données personnelles: les informations sont utilisées par ex. pour procéder à une évaluation plus précise de votre dépense énergétique. Vous pouvez également régler les unités utilisées par le tapis de course et visualiser les valeurs d'utilisation totales du tapis de course.

Lorsque vous choisissez un nom d'utilisateur, vous avez la possibilité d'enregistrer votre séance d'entraînement et d'afficher votre pouls dans différentes couleurs, selon sa fréquence. Une fois votre nom d'utilisateur créé ou sélectionné, il s'affiche dans l'angle supérieur droit de l'écran. Vous pouvez également vous entraîner sans nom d'utilisateur. Dans ce cas, aucun nom d'utilisateur n'est affiché et les valeurs par défaut (45 ans, 70 kg, homme) servent de référence durant votre séance d'entraînement. Vous pouvez enregistrer les données personnelles de 20 utilisateurs maximum.


 **IMPORTANT!** Si vous souhaitez visualiser les séances d'entraînement personnelles enregistrées dans votre USER LOG (JOURNAL DE L'UTILISATEUR), n'oubliez pas de sélectionner votre nom d'utilisateur. Vous pouvez également sélectionner votre nom d'utilisateur au cours de votre entraînement en appuyant sur le bouton USER puis en choisissant le nom correspondant. La séance ne sera pas interrompue. Une fois votre nom d'utilisateur sélectionné, vous pouvez revenir aux données relatives à la séance en cours en appuyant sur le bouton BACK/STOP.

 **IMPORTANT!** Pour enregistrer votre séance d'entraînement, vous devez sélectionner un nom d'utilisateur.

## CREATE USER (CRÉER UN UTILISATEUR)

Pour créer un utilisateur :

1. Appuyez sur le bouton USER. Le menu USER apparaît.
2. Sélectionnez CREATE USER dans la liste. Validez votre sélection en appuyant sur la barre de sélection.
3. Sélectionnez une langue dans la liste, puis validez en appuyant sur cette barre.
4. Entrez votre nom à l'aide du clavier, puis confirmez à l'aide de la touche Entrée.
5. Sélectionnez les unités que vous souhaitez utiliser. (Metric 1 (kg, km, kCal), Metric 2 (kg, km, kJ), ou les correspondances en mesures impériales Imperial 1 (lb, mi, kcal), Imperial 2 (lb, mi, kJ)). Effectuez votre sélection en tournant le bouton central de sélection, puis validez-la en appuyant sur ce bouton. Vous passez alors directement à la configuration suivante.
6. Sélectionnez le mode d'affichage des valeurs préétablies. COUNT DOWN permet d'afficher les valeurs décroissantes à partir de celle de votre objectif jusqu'à 0. COUNT UP permet d'afficher les valeurs croissantes à partir de 0 et jusqu'à celle de votre objectif. Validez votre sélection en appuyant sur la barre de sélection. Vous passez alors à la configuration suivante.
7. Sélectionnez votre sexe dans la liste. Validez votre sélection.
8. Entrez votre âge à l'aide du curseur. Validez votre sélection.
9. Entrez votre taille. Validez votre sélection.
10. Entrez votre poids. Validez votre sélection.
11. Entrez votre pouls maximum. Le compteur calcule votre pouls maximum en utilisant la formule  $220 - \text{âge}$ . Si vous connaissez la valeur exacte de votre pouls maximum, réajustez le résultat du calcul du compteur.
12. Entrez votre seuil anaérobie. L'appareil se réfère à votre pouls maximum pour calculer votre seuil anaérobie (80 % de votre pouls maximum). Si vous connaissez la valeur exacte de votre seuil anaérobie, réajustez le résultat du calcul du compteur.
13. Entrez votre seuil aérobie. L'appareil se réfère à votre pouls maximum pour calculer votre seuil aérobie (60 % de votre pouls maximum). Si vous connaissez la valeur exacte de votre seuil aérobie, réajustez le résultat du calcul du compteur.

 **IMPORTANT!** Le compteur peut enregistrer jusqu'à 20 noms d'utilisateur à la fois.

## SELECT/CHANGE USER (SÉLECTIONNER UN UTILISATEUR/CHANGER D'UTILISATEUR)

Une fois votre nom d'utilisateur créé, sélectionnez-le au début de votre séance d'entraînement en choisissant SELECT/CHANGE USER, puis validez-le en appuyant sur la barre de sélection.

## EDIT USER (MODIFIER UN UTILISATEUR)

Sélectionnez EDIT USER pour modifier vos données utilisateur.

## DELETE USER (SUPPRIMER UN UTILISATEUR)

Sélectionnez DELETE USER pour supprimer l'utilisateur sélectionné.

## SETTINGS (CONFIGURATION)

Sélectionnez SETTINGS pour mettre à jour la version du micrologiciel du compteur, régler le contraste de

l'écran, visualiser l'ensemble des valeurs de l'équipement et activer ou désactiver le bouton son.

## USER LOG (JOURNAL DE L'UTILISATEUR)

Sélectionnez USER LOG pour visualiser les données d'entraînement de l'utilisateur sélectionné. Vous pouvez afficher soit les données de la dernière séance, soit un récapitulatif de l'ensemble des séances de cet utilisateur. Vous pouvez quitter cet affichage en appuyant sur le bouton BACK/STOP

## MENU TRAINING

Vous accédez au menu TRAINING en appuyant sur le bouton TRAINING. Dans le menu TRAINING, vous pouvez sélectionner l'une des sessions d'entraînement suivantes en parcourant la liste, puis en appuyant sur la barre de sélection.

## QUICK START

sélection de démarrage rapide vous permet d'accéder directement à l'exercice.

1. Sélectionnez QUICK START. Validez votre sélection en appuyant sur la barre de sélection et démarrez votre séance d'entraînement en commençant à pédaler.
2. Vous pouvez augmenter ou diminuer la résistance (1-58 Nm) à l'aide du curseur de droite.
3. Pour interrompre la séance d'entraînement, appuyez sur le bouton BACK/STOP. Vous avez alors la possibilité de mettre fin à la séance en sélectionnant EXIT (QUITTER), de l'enregistrer dans la mémoire en sélectionnant SAVE AND EXIT (ENREGISTRER ET QUITTER) ou de la poursuivre en sélectionnant CONTINUE (POURSUIVRE).

## MANUAL (MODE MANUEL)

La sélection MANUAL permet d'augmenter ou de diminuer la résistance à l'aide du curseur pendant l'exercice.

1. Sélectionnez MANUAL.
2. A l'aide du curseur, choisissez vos objectifs pour la séance : durée, distance ou énergie dépensée. Validez votre sélection en appuyant sur le bouton de sélection.
3. Sélectionnez vos objectifs pour la séance à l'aide du bouton central : réglez la durée (10 à 180 minutes), la distance (3-100 km) ou l'énergie dépensée (50-2000 kcal). Validez votre sélection en appuyant sur le bouton de sélection.
4. Démarrez votre séance d'entraînement en commençant à pédaler. Vous pouvez augmenter ou diminuer la résistance (1-58 Nm) à l'aide du curseur. Au cours de l'entraînement, vous pouvez afficher la résistance ou votre pouls à l'aide du bouton situé au bas de l'écran.
5. Une fois que la valeur souhaitée est atteinte, le compteur émet un signal sonore. Vous pouvez cependant continuer le programme.
6. Pour interrompre la séance d'entraînement, appuyez sur le bouton BACK/STOP. Vous avez alors la possibilité de mettre fin à la séance en sélectionnant EXIT (QUITTER), de l'enregistrer dans la mémoire en sélectionnant SAVE AND EXIT (ENREGISTRER ET QUITTER) ou de la poursuivre en sélectionnant CONTINUE (POURSUIVRE).

## TARGET HR

Ce programme vous permet de vous entraîner à un niveau de pouls constant. L'appareil modifie la résistance en fonction de votre pouls afin de maintenir celui-ci au niveau que vous aurez pré-réglé. Lorsque le pouls augmente, la résistance diminue et vice versa. Il est également possible de modifier la valeur pré-réglée pendant la session d'entraînement. Pour cela, la mesure de votre pouls pendant l'exercice est indispensable.

1. Sélectionnez votre TARGET HR (PROGRAMME POULS CONSTANT).
2. Sélectionnez le niveau de pouls (80-220) pour la séance à l'aide du curseur. Validez votre sélection en appuyant sur le bouton de sélection.
3. A l'aide du curseur, choisissez votre objectif de durée pour la séance. La durée est mesurée en temps, en distance ou en énergie dépensée. Validez votre sélection en appuyant sur le bouton de sélection.
4. Sélectionnez vos objectifs pour la séance à l'aide du curseur : réglez la durée (10 à 180 minutes), la distance (3-100 km) ou l'énergie dépensée (200-8000 kcal). Validez votre sélection en appuyant sur le bouton de sélection.
5. Démarrez votre séance d'entraînement en commençant à pédaler. Vous pouvez modifier le pouls (80-220) à l'aide du curseur. Pendant l'entraînement, vous avez la possibilité d'afficher la résistance ou le pouls à l'aide du bouton situé au bas de l'écran.
6. Une fois que la valeur souhaitée est atteinte, le compteur émet un signal sonore. Vous pouvez cependant continuer le programme.
7. Pour interrompre la séance d'entraînement, appuyez sur le bouton BACK/STOP. Vous avez alors la possibilité de mettre fin à la séance en sélectionnant EXIT (QUITTER), de l'enregistrer dans la mémoire en sélectionnant SAVE AND EXIT (ENREGISTRER ET QUITTER) ou de la poursuivre en sélectionnant CONTINUE (POURSUIVRE).

## WATT CONTROL (PUISSANCE CONSTANTE)

En sélectionnant le programme WATT CONTROL, vous pouvez vous entraîner à un niveau de puissance constant en watts, c'est-à-dire que l'appareil modifie la résistance en fonction de la vitesse de pédalage. Il est également possible de modifier la valeur de puissance pré-réglée pendant la session d'entraînement.

1. Sélectionnez WATT CONTROL.
2. Sélectionnez le niveau de puissance (20-600 W) pour la séance à l'aide du curseur. Validez votre sélection en appuyant sur le bouton de sélection.
3. Choisissez votre objectif de durée pour la séance. La durée est mesurée en temps, en distance ou en énergie dépensée. Validez votre sélection.
4. Sélectionnez vos objectifs pour la séance : réglez la durée (10 à 180 minutes), la distance (3-100 km) ou l'énergie dépensée (200-8000 kcal). Validez votre sélection.
5. Démarrez votre séance d'entraînement en commençant à pédaler. Vous pouvez augmenter ou diminuer la résistance (20-600 W) à l'aide du curseur. Au cours de l'entraînement, vous pouvez afficher la résistance ou votre pouls.
6. Une fois que la valeur souhaitée est atteinte,

le compteur émet un signal sonore. Vous pouvez cependant continuer le programme.

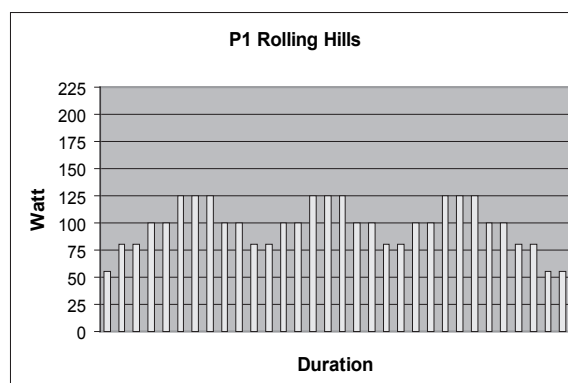
7. Pour interrompre la séance d'entraînement, appuyez sur le bouton BACK/STOP. Vous avez alors la possibilité de mettre fin à la séance en sélectionnant EXIT (QUITTER), de l'enregistrer dans la mémoire en sélectionnant SAVE AND EXIT (ENREGISTRER ET QUITTER) ou de la poursuivre en sélectionnant CONTINUE (POURSUIVRE).

## PROGRAMS (PROFILS PREPROGRAMMES)

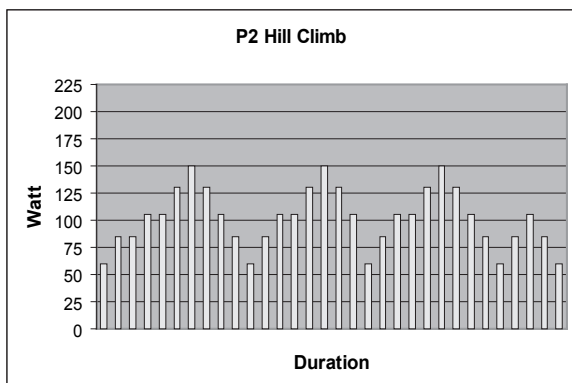
L'entraînement offert par la fonction PROGRAMS repose sur des séances indépendantes et individuelles d'exercice, les profils. La sélection PROGRAMS vous permet d'utiliser ou de modifier un profil d'exercice pré-programmé, faisant varier le niveau de résistance d'une façon déterminée par avance.

1. Sélectionnez PROGRAMS.
2. Sélectionnez un programme (1-10) dans la liste, puis appuyez sur la barre de sélection. Les profils P1-P5 sont des programmes de contrôle de puissance et les profils P6-P10 des programmes d'objectif de pouls nécessitant la mesure du pouls. Validez votre sélection en appuyant sur le bouton central de sélection.
3. A l'aide du bouton central de sélection, sélectionnez votre objectif de durée pour la séance. La durée est mesurée en temps ou en distance. Validez votre sélection.
4. Sélectionnez vos objectifs pour la séance : réglez la durée (10-180 minutes) ou la distance (3-100 km). Validez votre sélection.
5. Démarrez votre programme en commençant à pédaler. Vous pouvez augmenter ou diminuer la résistance à l'aide du curseur. Au cours de l'entraînement, vous pouvez afficher la résistance ou votre pouls. L'affichage du pouls nécessite la mesure du pouls.
6. Une fois que la valeur souhaitée est atteinte, le compteur émet un signal sonore. Vous pouvez cependant continuer le programme.
7. Pour interrompre la séance d'entraînement, appuyez sur le bouton BACK/STOP. Vous avez alors la possibilité de mettre fin à la séance en sélectionnant EXIT (QUITTER), de l'enregistrer dans la mémoire en sélectionnant SAVE AND EXIT (ENREGISTRER ET QUITTER) ou de la poursuivre en sélectionnant CONTINUE (POURSUIVRE).

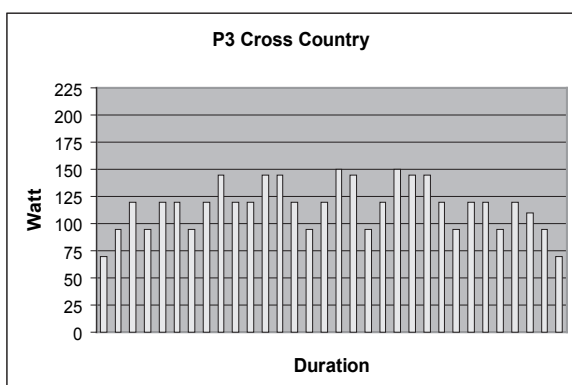
**PROFIL P1.** Profil d'effort à trois pics pour améliorer la capacité d'absorption d'oxygène. Les pics sont relativement bas et longs, ce profil convient aux débutants. Avec les valeurs par défaut, la puissance moyenne est 98 watts, la puissance maximale est 125 watts.



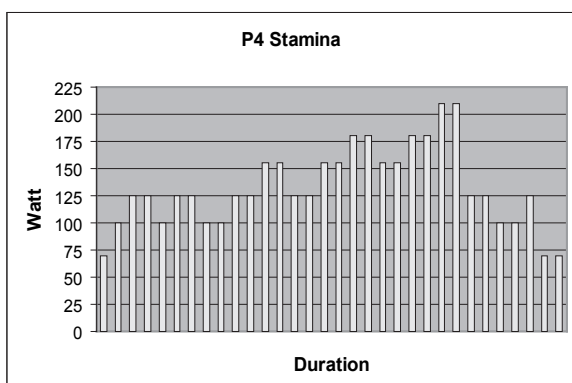
**PROFIL P2.** Profil d'effort à trois pics pour améliorer la capacité d'absorption d'oxygène. Les pics sont relativement courts, ce profil convient aux débutants. Avec les valeurs par défaut, la puissance moyenne est 102 watts, la puissance maximale est 150 watts.



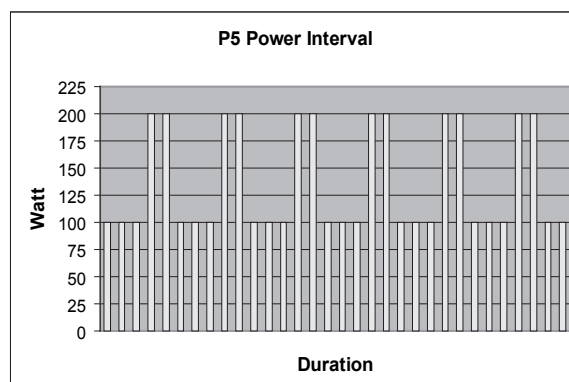
**PROFIL P3.** Profil d'effort à pics multiples pour améliorer la puissance de vitesse. Les changements de niveau d'effort sont aléatoires et les pics relativement courts, ce profil convient à tous. Avec les valeurs par défaut, la puissance moyenne est 117 watts, la puissance maximale est 150 watts.



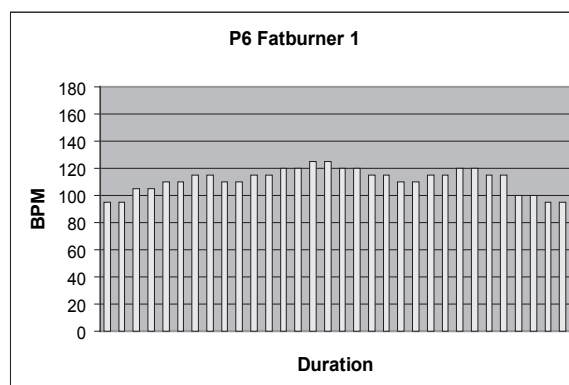
**PROFIL P4.** Profil d'effort en côte pour améliorer la résistance. Les pics relativement longs sont de plus en plus hauts jusqu'à la fin. Ce profil convient particulièrement aux personnes en bonne condition physique. Avec les valeurs par défaut, la puissance moyenne est 133 watts, la puissance maximale est 210 watts.



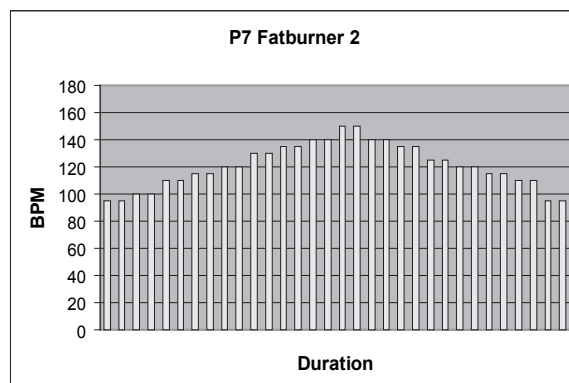
**PROFIL P5.** Profil à intervalle de puissance régulier dans lequel la différence est marquée entre les pics et le niveau de puissance de base. Avec les profils préprogrammés, la puissance moyenne est de 138 W, le pic est à 200 W. Noter que dans ce profil, il est possible d'échelonner séparément les pics et la résistance de base.



**PROFIL P6.** Profil cardiaque à trois pics pour améliorer la capacité d'absorption d'oxygène. Les pics sont relativement longs, ce profil convient également aux débutants. Avec les valeurs par défaut, la pouls moyenne est 112, la pouls maximale est 125.

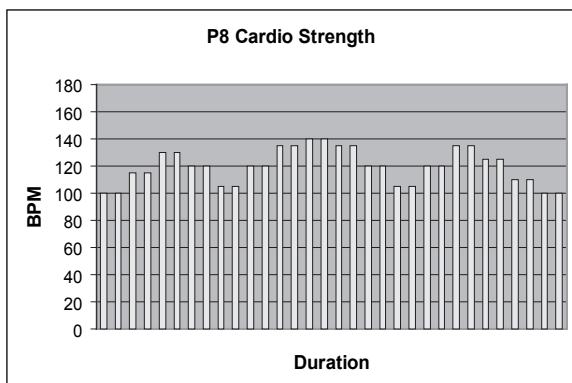


**PROFIL P7.** Profil cardiaque de côte dans lequel le rythme cardiaque augmente régulièrement jusqu'à la moitié du profil puis redescend tout aussi régulièrement. Ce profil convient également aux débutants. Avec les valeurs par défaut, la pouls moyenne est 121, la pouls maximale est 150.

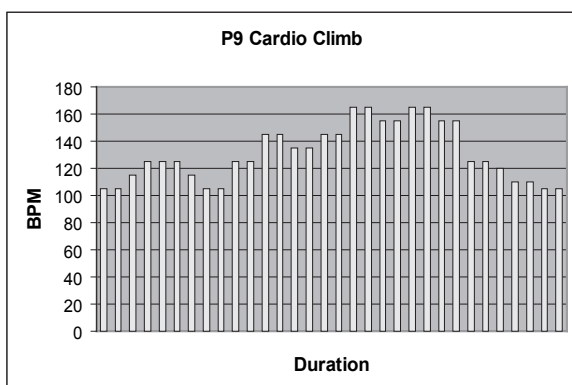




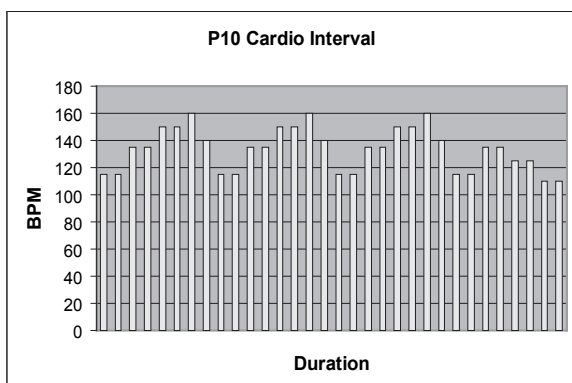
**PROFIL P8.** Profil cardiaque à trois pics pour améliorer la résistance. Les pics sont relativement longs mais le niveau cardiaque reste relativement constant tout au long du profil. Ce profil convient à tous. Avec les valeurs par défaut, la pouls moyenne est 120, la pouls maximale est 140.



**PROFIL P9.** Profil cardiaque en côte pour améliorer la résistance. Les pics relativement longs sont de plus en plus hauts jusqu'à la fin. Ce profil convient particulièrement aux personnes en bonne condition physique. Avec les valeurs par défaut, la pouls moyenne est 131, la pouls maximale est 170.



**PROFILE P10.** Profil cardiaque à trois pics pour améliorer la capacité d'absorption d'oxygène. Des pics relativement longs sont suivis par une phase de récupération régulière. Ce profil convient particulièrement aux personnes en bonne condition physique. Avec les valeurs par défaut, la pouls moyenne est 133, la pouls maximale est 160.



## T-RIDE (ENTRAÎNEMENT SUR TERRAIN RÉEL)

Le programme T-RIDE TRAINING permet de simuler un entraînement sur terrain réel. Au cours de l'entraînement, vous pouvez changer de vitesse à l'aide du curseur et visualiser la pente.

1. Sélectionnez T-RIDE.
2. Sélectionnez le terrain et validez votre sélection.
3. Réglez l'heure de début de la séance en touchant le profil, puis en validant à l'aide du bouton.
4. Réglez l'heure de fin de la séance à l'aide du bouton central de sélection.
5. Démarrez votre séance d'entraînement en commençant à pédaler. Vous pouvez changer de vitesse (1-8) à l'aide du curseur. Au cours de l'entraînement, vous pouvez afficher la pente ou votre pouls. L'affichage du pouls nécessite la mesure du pouls.
6. Une fois la distance effectuée, le compteur émet un bip et la séance d'entraînement prend fin.
7. Pour interrompre la séance d'entraînement, appuyez sur le bouton BACK/STOP. Vous avez alors la possibilité de mettre fin à la séance en sélectionnant EXIT (QUITTER), de l'enregistrer dans la mémoire en sélectionnant SAVE AND EXIT (ENREGISTRER ET QUITTER) ou de la poursuivre en sélectionnant CONTINUE (POURSUIVRE).

## T-ROAD

**! IMPORTANT:** vous pouvez effectuer une séance de TROAD uniquement si la carte mémoire est insérée dans le compteur. Le programme T-ROAD est similaire au programme T-RIDE, à la différence qu'il vous permet également de visualiser votre trajet sur vidéo. Au cours de l'entraînement, vous pouvez afficher la pente ou la vidéo à l'aide du bouton central de sélection.

## T-MUSIC

**! IMPORTANT:** vous pouvez effectuer une séance de T-MUSIC uniquement si la carte mémoire est insérée dans le compteur. Les programmes T-MUSIC sont contrôlés par le pouls. Pendant l'entraînement, le rythme de la musique varie selon le degré d'effort de la séance. La durée du programme T-MUSIC est de 40 minutes. Vous ne pouvez pas modifier le niveau de pouls sélectionné durant l'entraînement. Ce programme nécessite la mesure de votre pouls.

1. Sélectionnez T-MUSIC.
2. Sélectionnez un programme (1-3) dans la liste. Validez votre sélection en appuyant sur la barre de sélection.
3. Démarrez votre programme en commençant à pédaler. Au cours de l'entraînement, vous pouvez afficher la résistance ou votre pouls à l'aide du bouton situé en bas de l'écran.
4. Au bout de 40 minutes, le compteur émet un bip et la séance d'entraînement prend fin.
5. Pour interrompre la séance d'entraînement, appuyez sur le bouton BACK/STOP. Vous avez alors la possibilité de mettre fin à la séance en sélectionnant EXIT (QUITTER), de l'enregistrer dans la mémoire en sélectionnant SAVE AND EXIT (ENREGISTRER ET QUITTER) ou de la poursuivre en sélectionnant CONTINUE (POURSUIVRE).

## OWN TRAINING (ENTRAÎNEMENT PERSONNALISÉ)

Vous pouvez créer et enregistrer jusqu'à 100 programmes d'entraînement sur le compteur.

### ENREGISTRER UN PROGRAMME

1. Mettez fin à votre séance d'exercice à l'aide du bouton BACK/STOP.
2. Sélectionnez SAVE AND EXIT, puis validez votre sélection.
3. Donnez un titre à la séance d'entraînement et validez-le en appuyant sur Entrée.

**!** **IMPORTANT!** Vous pouvez uniquement enregistrer les programmes d'une durée supérieure à 10 minutes.

**!** **IMPORTANT!** Pour enregistrer une séance d'exercice, vous devez sélectionner un nom d'utilisateur.

### UTILISER DES PROGRAMMES ENREGISTRÉS

1. Sélectionnez OWN TRAINING.
2. Sélectionnez une séance d'entraînement dans la liste.
3. Sélectionnez la méthode d'exécution souhaitée :  
Recourir = répète l'exercice comme il a été enregistré  
Modifier = édite la durée de l'exercice avant l'utilisation  
Course = compétition contre les résultats du profil enregistré. **IMPORTANT !** La fonction Course ne peut utiliser que des profils enregistrés en mode manuel. Avec de tels profils, la résistance est exprimée en Nm.  
A) Recourir = commencer l'exercice en pédalant. Vous pouvez augmenter ou diminuer la résistance à l'aide du bouton central de sélection.  
B) Modifier = sélectionner avec les touches flèche la durée en temps de l'exercice (Régler la durée, 10 – 180 minutes). Commencer l'exercice en pédalant. Vous pouvez augmenter ou diminuer la résistance à l'aide du bouton central de sélection.  
C) Race (Course) = compétition contre les résultats du profil enregistré.  
**IMPORTANT !** La fonction Race ne peut utiliser que des profils enregistrés en mode manuel. Avec de tels profils, la résistance est exprimée en Nm.
4. Validez votre sélection en appuyant sur le bouton de sélection.  
A) Recourir = commencer l'exercice en pédalant Vous pouvez augmenter ou diminuer la résistance à l'aide du curseur.  
B) Modifier = sélectionner avec le curseur la durée en temps de l'exercice (Régler la durée, 10 – 180 minutes). Commencer l'exercice en pédalant. Vous pouvez augmenter ou diminuer la résistance à l'aide du curseur.  
C) Race (course) = Parcourir la liste pour sélectionner le mode course (time (temps) : distance que vous pouvez couvrir en un temps donné; ou distance : rapidité avec laquelle vous pouvez couvrir une distance donnée), puis validez votre sélection à l'aide du bouton de sélection.  
Un programme précédemment enregistré s'affiche à l'écran. Démarrez votre course en commençant à pédaler. La bande d'information à l'écran indique si vous êtes en retard ou en avance sur la séance de référence, c'est-à-dire la dernière séance enregistrée sur ce programme. La distance par rapport à la dernière séance enregistrée s'affiche également : la dernière séance enregistrée s'affiche sur une bande verticale bleu clair et votre puissance actuelle sur une bande verticale noire.
5. Pour interrompre la séance d'entraînement, appuyez sur le bouton BACK/STOP. Vous avez alors la

possibilité de mettre fin à la séance en sélectionnant EXIT (QUITTER), de l'enregistrer dans la mémoire en sélectionnant SAVE AND EXIT (ENREGISTRER ET QUITTER) ou de la poursuivre en sélectionnant CONTINUE (POURSUIVRE).

### FITNESS TEST (TEST DE FITNESS)

Le test de forme physique du compteur est un test à plusieurs échelons. Le test commence avec une résistance modérée, puis, en fonction du test sélectionné, la résistance augmente régulièrement. Le test à plusieurs échelons est sécuritaire, c'est une méthode submaximale fiable de test de condition physique. Le test continue jusqu'à ce que le rythme cardiaque souhaité de la personne à tester soit atteint (85% du niveau cardiaque maximal). Le test nécessite l'utilisation d'une ceinture télémétrique. Durant le test, le compteur suit les changements de rythme cardiaque et, sur cette base, évalue le pouvoir d'absorption d'oxygène de la personne. La capacité d'absorption d'oxygène maximale est le meilleur moyen d'évaluer la condition physique d'une personne. À la fin du test, le compteur affiche une évaluation polyvalente de votre niveau de forme physique. Après le test, le compteur affiche plusieurs informations sur votre condition physique : une description et une valeur chiffrée (ml/kg/min).

### PREPARER LE TEST

1. Vérifiez que les données associées à votre nom d'utilisateur sont à jour, car le compteur les utilise comme référence pour le test de fitness.
2. Sélectionnez FITNESS TEST.
3. Sélectionnez dans la liste la condition physique qui vous convient le mieux :  
inactif = ne pratique pas d'exercice, faible condition physique  
actif = fait de l'exercice, condition physique moyenne ou bonne  
athlétique = pratique de l'exercice activement, condition physique bonne ou excellente
4. L'écran indique un modèle de test correspondant au niveau de condition physique  
Intervalles = durée des niveaux de puissance durant le test  
Paliers = niveau de puissance du plateau (un certain nombre de watts); il y a plusieurs échelons dans le test  
Démarrage = niveau de puissance de démarrage du test
5. Validez votre sélection en appuyant sur le bouton de sélection.
6. Si nécessaire, vous pouvez réajuster votre objectif de pouls à l'aide du curseur. Validez votre sélection à l'aide du bouton de sélection.
7. Un message à l'écran vous indique que vous pouvez arrêter le test une fois votre objectif de pouls atteint. Démarrez le test en appuyant sur le bouton.

### RÉALISATION DU TEST

1. L'écran affiche le modèle d'échelon de test sélectionné.  
Démarrer le test en pédalant. La courbe de votre rythme cardiaque est représentée sur l'écran par une courbe rouge qui progresse avec l'avancement du test. Le niveau cardiaque souhaité est indiqué par des traits pointillés rouges.
2. Lorsque votre rythme cardiaque atteint le niveau souhaité, le compteur émet un signal sonore et un message apparaît sur l'écran. Nous recommandons d'arrêter le test à ce niveau, mais si votre condition

physique est suffisamment bonne, vous pouvez continuer le test. Si le niveau cardiaque souhaité a été correctement paramétré (c.-à-d. si vous avez donné des indications suffisamment précises sur votre niveau de rythme cardiaque maximal), continuer le test n'améliorera en rien sa précision. Si vous surestimez votre pouls maximum, votre condition physique sera surestimée. De même, si vous sous-estimez votre pouls maximum, votre condition physique sera sous-estimée.

3. Pour mettre fin au test une fois l'objectif de pouls atteint, appuyez sur le bouton BACK/STOP ou cessez de pédaler. Le compteur affiche alors le résultat du test.

A) capacité aérobie = estimation de votre niveau de forme physique au niveau de puissance le plus souvent utilisé et qui indique au mieux votre état de santé physique.

B) valeur MET = nombre indiquant le coefficient théorique d'augmentation de la capacité d'absorption d'oxygène comparativement à une situation de repos totale.

C) ml/kg/min = nombre indiquant la capacité d'absorption d'oxygène de l'organisme, exprimée en millilitres d'oxygène, par minute et par kilo de poids.

D) l/min = nombre indiquant la capacité d'absorption d'oxygène de l'organisme, exprimée en litres d'oxygène par minute. La différence avec la valeur précédente est que ce chiffre ne prend pas le poids de la personne en considération.

E) Wmax = évaluation du niveau de performance maximale en watts.

F) W/kg = proportion entre le niveau de performance maximal et le poids de l'individu.

<b>HOMMES / POUVOIR MAXIMUM D'ABSORPTION D'OXYGÈNE (VO2MAX)</b>							
<b>1 = TRÈS FAIBLE, 7 = EXCELLENTE</b>							
AGE	1	2	3	4	5	6	7
18-19	<33	33-38	39-44	45-51	52-57	58-63	>63
20-24	<32	32-37	38-43	44-50	51-56	57-62	>62
25-29	<31	31-35	36-42	43-48	49-53	54-59	>59
30-34	<29	29-34	35-40	41-45	46-51	52-56	>56
35-39	<28	28-32	33-38	39-43	44-48	49-54	>54
40-44	<26	26-31	32-35	36-41	42-46	47-51	>51
45-49	<25	25-29	30-34	35-39	40-43	44-48	>48
50-54	<24	24-27	28-32	33-36	37-41	42-46	>46
55-59	<22	22-26	27-30	31-34	35-39	40-43	>43
60-65	<21	21-24	25-28	29-32	33-36	37-40	>40
60-65	<21	21-24	25-28	29-32	33-36	37-40	>40

<b>FEMMES / POUVOIR MAXIMUM D'ABSORPTION D'OXYGÈNE (VO2MAX)</b>							
<b>1 = TRÈS FAIBLE, 7 = EXCELLENTE</b>							
AGE	1	2	3	4	5	6	7
18-19	<28	28-32	33-37	38-42	43-47	48-52	>52
20-24	<27	27-31	32-36	37-41	42-46	47-51	>51
25-29	<26	26-30	31-35	36-40	41-44	45-49	>49
30-34	<25	25-29	30-33	34-37	38-42	43-46	>46
35-39	<24	24-27	28-31	32-35	36-40	41-44	>44
40-44	<22	22-25	26-29	30-33	34-37	38-41	>41
45-49	<21	21-23	24-27	28-31	32-35	36-38	>38
50-54	<19	19-22	23-25	26-29	30-32	33-36	>36
55-59	<18	18-20	21-23	24-27	28-30	31-33	>33
60-65	<16	16-18	19-21	22-24	25-27	28-30	>30
60-65	<16	16-18	19-21	22-24	25-27	28-30	>30

## CARTE MÉMOIRE

La carte mémoire inclut tous les programmes T-ROAD et T-MUSIC ainsi que certains des programmes TRIDE.

**!** **IMPORTANT:** les programmes de la carte mémoire peuvent uniquement être exécutés si la carte mémoire est insérée dans le connecteur du compteur.

## INTERNET

Configuration d'une connexion Internet.

- Appuyez sur le bouton Wi-Fi pour paramétrer votre connexion Wi-Fi.
  - Sélectionner un réseau existant dans la liste ou 'Manual setup' (Configuration manuelle) pour configurer une nouvelle connexion réseau. Remarque : Le moniteur ne prend pas en charge les réseaux sans fil avec SSID masqué.
  - Entrez le nom du réseau
  - Sélectionnez un type de sécurité (Pour obtenir une explication des types de sécurité, consultez votre point d'accès sans fil.)
  - Entrez la clé de sécurité adéquate (Mot de passe). Notez que ce dernier est sensible à la casse.
  - Sélectionnez le mode de connexion : Manual (Manuel) ou Automatic (Automatique).
- Si vous rencontrez des problèmes de connexion, contactez votre fournisseur d'accès Internet.

**AVERTISSEMENT** Vérifiez votre abonnement Internet. Selon le type de contrat, le montant à payer dépend des données transférées ou d'une limite de temps. Si vous sélectionnez Automatic connection (Connexion automatique), vous bénéficiez d'une connexion constante qui risque d'entraîner une forte consommation de données. Vous pouvez choisir le mode Manual (Manuel) pour activer manuellement la connexion. Veillez à déconnecter votre connexion Wi-Fi à la fin de l'exercice, car elle reste active en mode veille. Tunturi décline toute responsabilité en termes de frais relatifs à la connexion Internet. Nous fournissons uniquement des moyens de connexion aux réseaux existants, indépendamment de votre abonnement.

## UTILISATION D'INTERNET

Le navigateur du moniteur permet uniquement d'accéder à Internet. Le moniteur permet de télécharger

et d'utiliser uniquement des fichiers, multimédias d'une taille limitée (environ 80 Mo). Notez que ce navigateur n'est pas compatible avec les films ou les contenus au format Flash.

#### CLAUSE DE NON-RESPONSABILITÉ

N'oubliez pas que l'utilisation d'Internet (navigation et téléchargement), ainsi que celle des périphériques externes (USB/iPod) présente certains risques pour le moniteur. Tunturi décline toute responsabilité en cas de dommages découlant de l'utilisation d'Internet et de périphériques externes ou des virus et des logiciels espions ou malveillants qu'ils sont susceptibles de véhiculer. Visitez uniquement des sites Web de confiance et vérifiez la présence de virus/logiciels espions/logiciels malveillants sur vos périphériques externes avant de les utiliser sur le moniteur.

#### MISE À JOUR LOGICIELLE

Nous cherchons en permanence à améliorer la qualité de nos produits. Rendez-vous régulièrement sur notre site Web [www.tunturi.com](http://www.tunturi.com) pour vérifier la publication de mises à jour logicielles améliorant le fonctionnement et les performances de votre moniteur.

## MAINTENANCE

Votre ergomètre Tunturi ne requièrent qu'un minimum de maintenance. Vérifiez, de temps en temps, que tous les écrous et vis sont serrés.

Après s'être exercé, séchez toujours l'appareil avec un tissu mou et absorbant. N'utilisez pas de détergent. N'enlevez jamais les capots protecteurs de l'appareil.

Le frein électromagnétique forme un champ magnétique capable d'endommager le mécanisme d'une montre ou la bande magnétique des cartes bancaires ou de crédit, si ceux-ci entrent en contact immédiat avec les aimants. Ne tentez jamais de détacher ou d'enlever le frein électromagnétique!

Le frein électromagnétique est basé sur la résistance électromagnétique; le niveau et de résistance est électroniquement mesuré et indiqués en watt sur l'affichage. Par conséquent votre ergomètre Tunturi n'a pas besoin d'être recalibré une fois assemblé, entretenu et utilisé selon ce guide d'exercice.

## DEFAUTS DE FONCTIONNEMENT

En dépit d'un contrôle continu de la qualité, l'appareil peut présenter des défauts ou des anomalies de fonctionnement provenant de certains de ses composants. Dans ce cas, il n'est pas cependant nécessaire d'aller faire réparer votre appareil, le problème pouvant bien souvent être résolu par simple changement de la pièce défectueuse. Contactez votre distributeur au cas où vous remarqueriez un défaut ou un mauvais fonctionnement de votre l'appareil ou si vous avez besoin de pièces de rechange. Indiquez-lui la nature du problème, les conditions d'utilisation, la date d'achat, le modèle et le numéro de série. Vous trouverez la liste des pièces

détachées à la fin de ce mode d'emploi. Seules des pièces mentionnées dans la liste des pièces de rechange peuvent être utilisées dans l'appareil.

## TRANSPORT ET RANGEMENT

Veillez suivre ces instructions pour déplacer ou transporter votre vélo d'appartement : en le levant d'une façon incorrecte, vous risquez un accident ou un problème de dos. Coupez toujours l'alimentation de votre appareil et débranchez le cordon secteur avant de déplacer votre appareil sportif.

Mettez-vous derrière l'appareil. Saisissez l'appareil par la selle et par le guidon. Soulevez l'appareil de façon à ce qu'il repose sur ses roulettes de transport se trouvant dans la partie arrière du châssis et déplacez l'appareil. Reposez l'appareil par terre en le tenant par le guidon et en vous tenant tout le temps derrière l'appareil.

Le déplacement de l'équipement peut abîmer certains revêtements de sol, par ex. les parquets en bois. Dans ce cas, veillez à protéger le sol.

Pour lui garantir un fonctionnement impeccable, rangez et utilisez votre appareil dans un endroit sec, sans variations de température importantes, et protégez-le contre les poussières.

## TECHNICAL SPECIFICATIONS

Longueur	99 cm
Hauteur	70 cm
Largeur	116 cm
Poids	46 kg

Ce produit réponds aux normes des directives EMC de l'UE concernant la compatibilité électromagnétique (89/336/CEE) et les appareils électriques destinés à une utilisation dans certaines limites de tensions (73/23/CEE). Ce produit porte, en conséquence, la marque CE.

Ce produit réponds aux normes de sécurité et de précision EN (Classe SA, EN-957, paragraphe 1 et 5).

Du fait de sa politique de développement continu des produits, Tunturi se réserve le droit de modifier les spécifications sans préavis.

**⚠ ATTENTION!** La garantie ne couvre pas les dommages dus à une négligence des instructions d'assemblage, de réglages ou de maintenance données dans ce mode d'emploi. Suivez les instructions scrupuleusement pour l'assemblage, l'utilisation et la maintenance de votre équipement. Des changements ou modifications non expressément approuvés par Accell Fitness rendront nulle l'autorité de l'utilisateur sur l'équipement.

**NOUS VOUS SOUHAITONS D'AGRÉABLES ET NOMBREUSES SÉANCES D'EXERCICE AVEC VOTRE NOUVEAU PARTENAIRE D'ENTRAÎNEMENT TUNTURI !**

## INHOUD

HET MONTEREN	37
AFSTELLING	38
FITNESS TRAINING MET TUNTURI	39
MONITOR	40
MONITORFUNCTIES	41
ONDERHOUD	47
VERPLAATSEN	47
TECHNISCHE GEGEVENS	47

### WELKOM IN DE WERELD VAN TUNTURI TRAINING!

Uw keuze toont aan, dat u echt in uw gezondheid en conditie wilt investeren. Het bewijst ook, dat u kwaliteit en stijl belangrijk vindt en waardeert. Met deze Tunturi trainer heeft u een veilig, motiverend kwaliteitsproduct als trainingspartner gekozen. Wat uw trainingsdoel ook is, wij zijn ervan overtuigd dat de keuze van deze trainer de juiste is om uw doel te bereiken. Meer informatie over het gebruik van uw trainingsapparatuur en efficiënte training kunt u vinden op Tunturi's website [WWW.TUNTURI.COM](http://WWW.TUNTURI.COM)

## OPMERKINGEN EN ADVIEZEN

Deze gids is een essentieel onderdeel van uw fietsergometer. Lees deze gids zorgvuldig door vóórdat u begint met monteren, gebruiken of onderhouden van uw fietsergometer. Bewaar de gids op een handige plaats. U kunt er, nu en in de toekomst, nuttige informatie uithalen die u nodig heeft voor het gebruik en het onderhoud van de apparatuur. Volg de instructies altijd met zorg op.

### GEZONDHEID

- Laat uw conditie door uw huisarts controleren voordat u begint met trainen.
- Bij misselijkheid, duizeligheid of andere abnormale symptomen moet u direct stoppen met de training en een arts raadplegen.



• Om spierpijn te voorkomen, begint u de training met een warming up en sluit u die af met cooling-down. U sluit de training af met stretch oefeningen.

### DE TRAININGSRUIMTE

- Plaats de trainer op een vlakke en stevige ondergrond. Bescherm de vloer onder de trainer tegen beschadiging.
- Zorg voor voldoende ventilatie tijdens de training, maar zorg dat u niet op de tocht zit.
- Tijdens de training is de toegestane gebruikstemperatuur tussen +10° en +35°C; voor opslag gelden de temperaturen tussen -15° en +40°C. De luchtvochtigheid in de trainings- of opslagruimte mag nooit hoger dan 90 % zijn.

### HET GEBRUIK VAN DE TRAINER

- Ouders en verzorgers van kinderen moeten er rekening mee houden dat kinderen speels zijn en graag alles uitproberen. Dit kan ertoe leiden dat de trainer wordt gebruikt op een manier waarvoor deze niet bedoeld is. Als

kinderen de trainer mogen gebruiken moet u als ouder of verantwoordelijke rekening houden met de lichamelijke en psychische ontwikkeling en vooral de aard van het kind. Vertel kinderen duidelijk hoe de trainer moet worden gebruikt en houd toezicht. De trainer is geen geval bedoeld als speelgoed.

- Controleer voor de training of het apparaat goed functioneert. Train nooit op een defect apparaat.
- De trainer mag uitsluitend door één persoon tegelijk worden gebruikt.
- Draag tijdens de training de juiste kleding en geschikte schoenen.
- Gebruik de trainer alleen als alle afschermingen en omkastingen geplaatst zijn.
- Voer alleen die onderhoudsverrichtingen en afstellingen uit die in deze handleiding beschreven zijn. Volg de onderhoudsinstructies van de handleiding nauwkeurig op.
- Gebruik de trainer uitsluitend voor het doel waarvoor deze is gemaakt en zoals hierna beschreven wordt.
- Zorg ervoor dat de monitor niet met water in aanraking komt. Veeg de monitor altijd af met een zachte en absorberende doek als er zweetdruppels op gevallen zijn. Reinig de monitor niet met oplosmiddelen.
- Druk op de toetsen met uw vingertoppen; nagels kunnen de toetsmembranen beschadigen.
- Houd de monitor uit de zon; door zonlicht kunnen kleuren van de monitor verbleken.
- De trainer is geschikt voor personen met een lichaamsgewicht tot maximaal 150 kg.
- Nadere informatie over de garantie op uw trainingstoestel vindt u in het bijgesloten garantieboekje. De garantie vervalt bij schade ontstaan tijdens de verzending of door het niet volgen van de in deze handleiding gegeven instructies betreffende het monteren, afstellen en onderhoud van het apparaat.

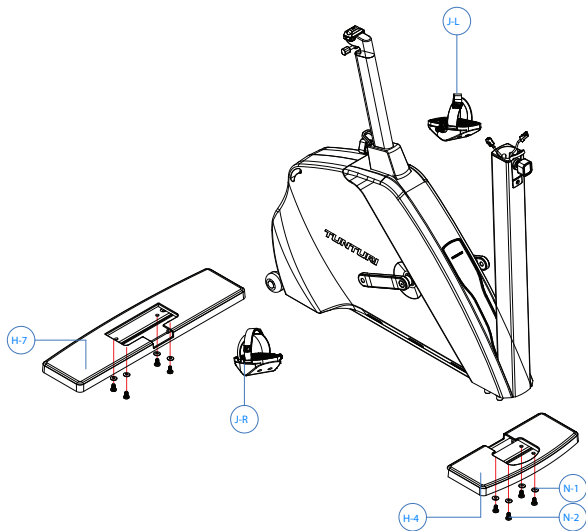
## HET MONTEREN

Controleer of alle onderdelen aanwezig zijn:

1. Frame
2. Achter- en voorsteun
3. Stuurkolom
4. Pedalen (2)
5. Monitor
6. Transformator
7. Set montagegereedschap (onderdelen met \* in de onderdelenlijst): bewaar de montagebenodigdheden, omdat u die o.a. nog bij het afstellen van de onderdelen kunt gebruiken.

Mocht er een onderdeel ontbreken, neem dan contact op met uw Tunturi dealer onder vermelding van het model, het serienummer van het apparaat en het nummer van het ontbrekende onderdeel. Achter in deze gids vindt u de onderdelenlijst. De verpakking bevat een zakje met korrels die de apparatuur tijdens opslag en transport heeft beschermd tegen vocht. Dit zakje kan na het uitpakken van de fietstrainer weggegooid worden. De instructies links, rechts, voor en achter, zijn bepaald zittend op de fiets. Wij adviseren dat het apparaat wordt geïnstalleerd door twee volwassen personen.

## ACHTER- EN VOORSTEUN



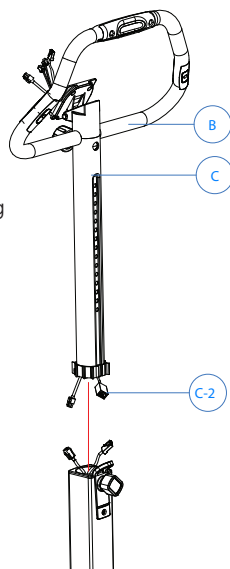
Trek door het zadel vast te houden het apparaat naar achteren, zodat het op zijn transportwielletjes rust. Bevestig de achtersteun vanaf onderen met vier binnenzeskantschroeven en sluitringen. Bevestig de voorsteun aan het frame met vier schroeven en sluitringen. Zet het apparaat weer recht overeind zodat het op de steunvoeten rust.

## PEDALEN

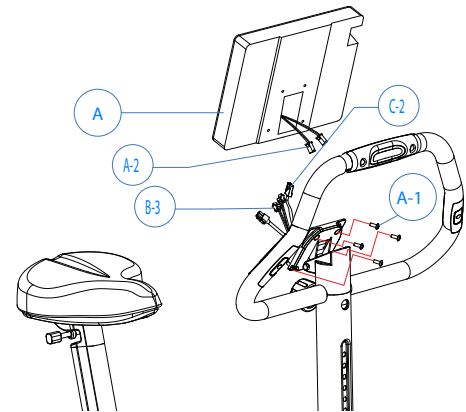
De pedalen zijn gemerkt met de letters L (links) en R (rechts). Monteer het linker pedaal op de linker crank door deze tegen de richting van de klok in, vast te draaien. Het rechter pedaal monteert u op dezelfde wijze, maar nu met de klok mee. Bevestig de riemen van de pedalen beginnende vanaf het bevestigingspunt aan de kant van het toestel. Druk de riem door de gleuf in het pedaal en bevestig de opening van de riem aan het uitsteeksel van het pedaal. Bevestig de riemen vervolgens aan de buitenkant van de pedalen. Druk de riem door de gesp, waarna hij automatisch vast zit. De lengte van de riem kan ingesteld worden met behulp van de gespen.

## STUURSTANG

Sluit de kabel die uit de framebuis komt, op de aansluiting aan de onderkant van de stuurstang aan. Trek voorzichtig aan de kabel om te controleren of het verbindingsstuk stevig vast zit. Ontgrendel de vergrendelingsknop van de stuurstang door deze een aantal keren tegen de richting van de klok in te draaien en vervolgens naar buiten te trekken. Berg de kabel voorzichtig in het frame. Schuif de stuurstang in de voorste framebuis. Laat de vergrendelingsknop los, nadat de stuurstang de gewenste hoogte heeft bereikt. Zorg ervoor dat de stuurstang vergrendeld is. Bevestig en draai de vergrendelingsknop vast door deze met de richting van de klok mee te draaien.

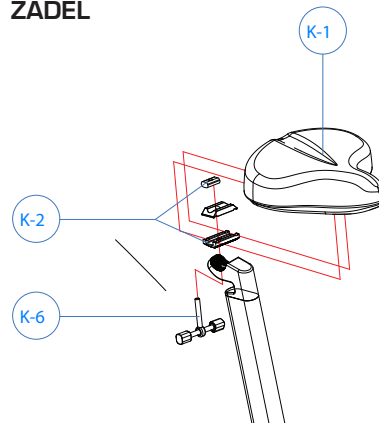


## MONITOR



Verbind de kabels van de stuurstang naar de corresponderende aansluitingen van de monitor. Steek de aangesloten kabels in de monitor, maar zorg ervoor dat ze niet beschadigd raken als de monitor wordt bevestigd. Plaats de monitor aan het uiteinde van de steunbuis van de stuurstang en zet hem met 4 bevestigingsschroeven vast.

## ZADEL



Draai de borgschroef van de zittinghouder los en draai de bovenste borghendel zo dat deze op één lijn ligt met de uitrusting. Plaats de zitting op de groeven van de onderste borghendel. Draai de bovenste borghendel in de richting van de bovenkant van de zittingrails en borg de zitting door de borgschroef aan te halen.

## TRANSFORMATOR

Steek de stekker van de transformator in het contact in het achterframe. Steek dan pas de stekker in het wandstopcontact. Trek na het trainen altijd de stekker van de transformator uit het stopcontact. Het snoer mag niet onder het apparaat doorlopen of op andere wijze afgeklemd worden.

## AFSTELLING

### INSTELLEN VAN DE ZADELHOOGTE

Het zadel staat op de juiste hoogte als u, met een bijna gestrekt been, met de holte van uw voet het pedaal in de laagste stand kunt aanraken. Draai de vergrendelingsknop één slag los. Hou het zadel met één hand vast en trek met de andere hand de vergrendelingsknop naar u toe om de stuurstang vrij naar boven en beneden te kunnen verplaatsen. Heeft het zadel de juiste hoogte, laat dan de knop los. Het zadel is nu op de juiste hoogte.

vergrendeld. Draai de vergrendelknop weer vast. Door middel van de schaalverdeling die is aangebracht op de zadelstang, kunt u gemakkelijk onthouden wat voor u de juiste hoogte van het zadel is.

**!** **BELANGRIJK!** Controleer altijd, vóór u met trainen begint, of de vergrendelknop goed is vastgedraaid!

U kunt de helling en spreiding van de zadel ook handmatig regelen. Ontgrendel de zadelvergrendeling door de borghendel onder het zadel linksom te draaien. Stel het zadel op de gewenste hoogte in en zet de borghendel weer vast door deze rechtsom te draaien.

### DE STUURSTANG AFSTELLEN

Draai de knop voor op het stuur los en zet het stuur in de stand die voor u het meest comfortabel aanvoelt. Draai de knop goed vast. Met het ergonomische multigrip stuur kunt u zowel rechtop als met voorover gebogen bovenlichaam trainen. Houd de rug wel altijd recht, dus niet bol of hol.

Stel de hoogte van de stuurstang af door de vergrendelingsknop op de stuursteunbuis te ontgrendelen. Trek de vergrendelingsknop naar buiten, zodat de stuurstang vrij op en neer kan bewegen. Laat deze knop los, nadat de stuurstang de gewenste hoogte heeft bereikt. De stuursteunbuis klikt nu in positie. Draai de vergrendelingsknop vast door deze met de richting van de klok mee te draaien.

### AFSTELLING MONITORHOEK

Stel de hoek van de monitor zo in dat deze overeenkomt met uw lengte en trainingspositie.

### AFSTELLING VAN STEUNVOETEN

Als het apparaat niet stabiel staat, verdraai dan indien nodig de stelschroeven onder de steunvoeten.

## FITNESS TRAINING MET TUNTURI

Trainen op een fietstrainer is een uitstekende aërobe training. Het basisidee is een voldoende lichte training die langere tijd kan worden volgehouden. Aërobe training bevordert het zuurstofopnamevermogen van het lichaam, waardoor ook het uithoudingsvermogen en de conditie verbeteren. Het menselijk vermogen tot het verbranden van vet is afhankelijk van dit zuurstofopnamevermogen.

Aërobe training moet plezierig zijn. Een beetje transpireren mag, maar buiten adem raken niet. Tijdens een oefening moet u gewoon een gesprek kunnen voeren. Door minstens drie keer per week 30 minuten te trainen, bouwt u een basisconditie op die u vervolgens onderhoudt door enkele keren per week te trainen. Vervolgens kunt u uw conditie eenvoudig verbeteren door het aantal trainingen op te voeren. Omdat een zware training voor mensen met overgewicht belastend kan zijn voor hart en bloedvaten is het verstandig te beginnen met een langzame pedaalslag met geringe weerstand. Naarmate de conditie toeneemt, kunnen snelheid en weerstand geleidelijk worden opgevoerd.

### TRAININGS NIVEAU

Wat uw doel, uw streven ook met het trainen is, u bereikt het beste resultaat door te trainen op een niveau

dat u aankunt. Daarvoor is, zoals gezegd, uw hartslag de beste graadmeter.

### HARTSLAGMETING MET HANDGREEPSSENSOREN

De hartslag wordt gemeten aan de handen, door de sensoren op de stuurstang. De sensoren meten elektrische impulsen, die bij de hartslag ontstaan. De meting start als beide sensoren op de stuurstang gelijktijdig worden aangeraakt. Voor een betrouwbare hartslagmeting moet de huid een klein beetje vochtig zijn en moet de huid ononderbroken met de sensoren in contact zijn. Als de huid te droog of te vochtig is, is hartslagmeting via de handen minder betrouwbaar. Probeer uw bovenlichaam en palmen ontspannen en stil te houden.

### HARTSLAG METEN

Hartslag kan telemetrisch worden gemeten. Deze trainer heeft een ingebouwde hartslagontvanger voor de bijgeleverde Polar borstband met ingebouwde telemetrische hartslagzender. Dit is het meest betrouwbare systeem, dat werkt met een borstband met meerdere elektrodes waarvan de gemeten waarden draadloos doorgeseind worden naar de monitor.

**!** **BELANGRIJK!** Als u een pacemaker gebruikt, mag u de borstband alleen met toestemming van een arts gebruiken.

Wanneer u uw hartslag tijdens de training op deze manier wilt controleren, moeten de geribbelde elektroden aan de binnenzijde van de borstband vochtig gemaakt worden (water). Plaats de zender juist onder de borst met de elastische band strak genoeg om tijdens het fietsen de elektroden contact te laten houden met de huid, maar niet zo strak dat normaal ademen wordt belemmerd.

De zender geeft de hartslag automatisch door aan de monitor die zich niet verder dan één meter van de borstband mag bevinden. Wanneer de zender verder van de monitor verwijderd is, wordt het signaal te zwak om te ontvangen. Let er ook op dat niet meerdere personen met een borstband om, binnen een straal van één meter rond de monitor staan, want de monitor ontvangt dan van elke elektrode een signaal en telt deze dan bij elkaar op. Door vocht en transpiratie op de elektrodes kan de zender aan blijven staan. Om lege batterijen te voorkomen maakt u de elektrodes na gebruik goed schoon en droog.

Denkt u eraan wat de trainingskleding betreft, dat bepaalde in de kleding gebruikte vezels (zoals polyester of polyamide) statische electriciteit veroorzaken, wat bij de hartslagmeting problemen veroorzaken kan. Denk u eraan dat mobiele telefoons, een tanteevee of andere elektronische apparaten een electromagnetisch veld om zich heen vormen, wat bij de hartslagmeting problemen veroorzaken kan.

Om te beginnen dient u te weten wat uw maximale hartslag is: dit is de hartslag die bij meer inspanning niet meer hoger wordt. Als u niet weet wat uw maximale hartslag is, kunt u de volgende formule als leidraad nemen:

### 220 - LEEFTIJD

Het maximum varieert van persoon tot persoon. De maximale hartslag daalt per jaar met gemiddeld één punt. Als u tot de risicogroepen behoort, vraag dan een

arts uw maximale hartslag te bepalen. Om u te helpen met uw training, hebben wij drie verschillende hartslag niveaus geselecteerd.

**BEGINNER:** 50 tot 60 % van de maximale hartslag

Dit niveau is ook geschikt voor mensen die lijnen, mensen die herstellende zijn van een ziekte en mensen die lang niet getraind hebben. Drie trainingen van tenminste een halfuur per week zijn aan te bevelen. Regelmatig trainen stimuleert bij een beginner de ademhaling en bloedsomloop in sterke mate en zorgt al snel voor een merkbaar resultaat.

**GEMIDDELDE SPORTER:** 60 tot 70 % van de maximale hartslag

Een perfect niveau om de conditie te verbeteren en op peil te houden. Zelfs een redelijk normale inspanning - minimaal 3 trainingen van 30 minuten per week - heeft een positief effect op hart en longen. Om uw conditie verder te verbeteren kunt u het aantal keren trainen per week verhogen of de duur van uw training verlengen. Verhoog echter nooit beide tegelijkertijd!

**GETRAINDE SPORTER:** 70 tot 80 % van de maximale hartslag

Trainen op dit niveau is alleen weggelegd voor wie écht fit is en wie gewend is aan langdurige conditie trainingen.

## MONITOR



### TOETSEN (aan de zijkant)

Power-knop  
Volume omhoog/omlaag  
Helderheid omhoog/omlaag

### TOUCHSCREEN

Deze monitor is uitgerust met een touchscreen. Toets voorzichtig met uw vinger simpelweg op de knoppen in het scherm. Oefen geen druk uit op het scherm, aangezien de touchscreen-functie hierdoor beschadigd kan raken. Raak het scherm niet met scherpe voorwerpen aan.

### MEDIA

Deze monitor beschikt over 2 USB-poorten (FAT/FAT32-formaat) voor het afspelen van mediabestanden.

Ondersteunde bestandstypen:

MP3, AAC (MP4), Ogg Vorbis, WAV, MPEG-1, Ogg Theora, AVI, MKV, Ogg, MOV.

Het is niet mogelijk om DRM-beschermde bestanden af te spelen.

Het apparaat heeft ook een 30 pins-aansluiting voor iPods/iPhones waarop de meeste producten van Apple kunnen worden aangesloten.

U kunt de Media-knop gebruiken voor het bladeren door en afspelen van muziek die op uw iPod/iPhone staat. Het is niet mogelijk om videobestanden af te spelen via deze aansluiting. De muziekbestanden van de iPod/iPhone kunt u vinden in de map user/Apple

**! LET OP!** U kunt uw iPod/iPhone op deze monitor aan te sluiten. Tunturi is niet verantwoordelijk voor schade die uw iPod/iPhone oploopt in zowel de hardware als de software door het aansluiten van dit apparaat op de monitor.

### KNOPPEN IN HET SCHERM

#### 1. TRAINING

Druk op de knop TRAINING om uw work-out te kiezen.

#### 2. USER

Druk op de knop USER om het menu USER te openen. Het menu USER bevat de volgende functies: CREATE USER, SELECT/CHANGE USER, EDIT USER, DELETE USER, SETTINGS en USER LOG..

#### 3. INTERNET

Druk op deze knop om op internet te surfen (alleen mogelijk wanneer er een draadloze verbinding beschikbaar is).

#### 4. E-BOOK READER

Druk op deze knop om de E-Book reader te openen. De monitor herkent E-Books die opgeslagen zijn op uw USB-stick. Leesbare formaten: ePub, FictionBook (fb2), Plucker, Open E-Book, Open Reader, PalmDoc, Psion Text, Mobipocket, platte tekst.

#### 5. WIFI SETTINGS

Met deze knop kunt u uw netwerkverbinding instellen. Zie het hoofdstuk INTERNET voor meer informatie.

#### 6. BACK/STOP

Gebruik de knop BACK/STOP om terug te keren naar het hoofdmenu. Tijdens de training kunt u uw trainingssessie stoppen of pauzeren door op de knop BACK/STOP te drukken.

#### 7. ZOOM

Weergave van het grafische profiel tijdens de training. Druk op de knop ZOOM drukt om de weergegeven profielafbeelding te vergroten (2x, 4x, 8x en 16x vergroten). Als u vijf keer op deze knop drukt, wordt de profielafbeelding weer in de oorspronkelijke afmetingen weergegeven.

#### 8. KEYBOARD

Druk op deze knop om het interne toetsenbord weer te geven of te verbergen.



## 9. MEDIA-KNOP

Druk op de media-knop om de mediaspeler te openen. De speler signaleert automatisch films (MPEG-1-formaat) en muziek (MP3, WMV, WAV). U kunt tevens de inhoud van uw USB-stick selecteren en afspelen,

### DISPLAY

Tijdens de training wordt links in het display de volgende informatie weergegeven: tijd, afstand, energieverbruik, inspanning, omw/min, hartslag en snelheid.

# MONITORFUNCTIES

## Inschakelen

De monitor wordt actief wanneer het apparaat op een elektrische voedingsbron wordt aangesloten en druk op de power-knop aan de zijkant van de monitor. Op de monitor verschijnt dan het menu TRAINING.

## Slaapstand

Als er langer dan 5 minuten niet op een knop gedrukt wordt of gefietst wordt, schakelt de monitor automatisch over op de schermbeveiliging. Raak het scherm aan om de monitor weer te activeren

## Uitschakelen

Houd de power-knop aan de zijkant van de monitor gedurende enkele seconden ingedrukt om het apparaat uit te schakelen en neem de stroomadapter uit het apparaat.

De waarden van een onderbroken training worden 5 minuten in het geheugen van de monitor opgeslagen, waarna ze op nul worden gezet. U kunt de onderbroken training hervatten door binnen 5 minuten weer te gaan fietsen.

Op het display worden adviezen weergegeven. Ze worden voorafgegaan door de letter "i" op een witte achtergrond. U kunt deze berichten wissen op het display met de schuifknop.

## MENU USER

U opent het menu USER door op de knop USER te drukken. Wij adviseren u om een gebruikerscode te kiezen en uw persoonlijke gegevens op te slaan. Deze informatie wordt o.a. gebruikt bij het schatten van uw persoonlijke calorieverbruik. Verder kunt u instellen met welke meeteenheden het toestel moet werken en de totaalwaarden van het toestel bekijken.

Als u een gebruikersnaam kiest, kunt u uw trainingssessie opslaan en uw hartslag in verschillende kleuren laten weergegeven wanneer uw training is afgestemd op uw hartslag. Als u een gebruikersnaam hebt ingevoerd of een bestaande gebruikersnaam hebt gekozen, wordt deze in de rechterbovenhoek van het display weergegeven. U kunt ook zonder gebruikersnaam trainen. Als u dit doet, wordt geen gebruikersnaam in de rechterbovenhoek van het display weergegeven en worden de standaardinstellingen (45 jaar, 70 kg, man) gebruikt voor uw trainingssessie. U kunt gegevens voor maximaal 20 verschillende gebruikers opslaan.

 **BELANGRIJK!** Als u uw persoonlijke trainingssessies wilt weergeven die zijn opgeslagen in het gebruikerslogboek,

dient u altijd uw eigen gebruikersnaam te kiezen. U kunt ook tijdens het trainen beginnen met het gebruiken van een gebruikersnaam door op de knop USER te drukken en vervolgens uw eigen gebruikersnaam te kiezen. Uw trainingssessie wordt dan niet onderbroken. Nadat u uw gebruikersnaam hebt gekozen, kunt u opnieuw de informatie over de training weergegeven door op de knop BACK/STOP te drukken.

 **BELANGRIJK!** Om uw trainingssessie te kunnen opslaan, dient u een gebruikersnaam te kiezen.

## CREATE USER

U voegt als volgt een gebruiker toe:

1. Druk op de knop USER. Het menu USER wordt geopend.
2. Scroll door de lijst om de optie CREATE USER te kiezen. Bevestig uw keuze door op de keuzebalk te drukken.
3. Scroll door de lijst om een taal te kiezen en bevestig uw keuze door op de keuzebalk te drukken.
4. Voer uw naam in met het toetsenbord en bevestig met Enter.
5. Kies de maateenheden die u wilt gebruiken. (Metric 1 (kg, km, Kcal), Metric 2 (kg, km, kJ) of de overeenkomstige Engelse eenheden Imperial 1 (lb, mi, Kcal), Imperial 2 (lb, mi, kJ)). Scroll door de lijst om uw keuze te selecteren en bevestig de keuze door het op de keuzebalk te drukken. U wordt dan automatisch naar de volgende instelling geleid.
6. Selecteer de weergave van de streefwaarde voor de ingestelde waarden. COUNT DOWN - de waarden aflopend van uw streefwaarde naar nul weergegeven. COUNT UP - de waarden oplopend weergegeven in de richting van uw streefwaarde. Bevestig uw keuze door op de keuzebalk te drukken. U wordt dan naar de volgende instelling geleid.
7. Scroll door de lijst om uw geslacht in te stellen. Bevestig uw invoer.
8. Stel uw leeftijd in met de schuifknop. Bevestig uw invoer.
9. Stel uw lengte in. Bevestig uw invoer.
10. Stel uw gewicht in. Bevestig uw invoer.
11. Stel uw maximale hartslag in. De meter berekent uw geschatte maximale hartslag aan de hand van de formule:  $220 - \text{leeftijd}$ . Als u uw exacte maximale hartslag kent, kunt u de geschatte maximale hartslag van de meter wijzigen.
12. Uw anaërobe drempel instellen. Het apparaat gebruikt uw maximale hartslag om een schatting te maken van uw drempelhartslag (80% van uw maximale hartslag). Als u uw exacte anaërobe drempelhartslag kent, kunt u de geschatte waarde van de meter wijzigen.
13. De aërobe drempel instellen. Het apparaat gebruikt uw maximale hartslag om een schatting te maken van uw drempelhartslag (60% van uw maximale hartslag). Als u uw exacte aërobe drempelhartslag kent, kunt u de geschatte waarde van de meter wijzigen.

 **BELANGRIJK!** De meter kan maximaal 20 gebruikersnamen tegelijk opslaan.

## SELECT/CHANGE USER

Als u voor uzelf een gebruikersnaam hebt ingevoerd, kiest u deze aan het begin van uw trainingssessie door SELECT/CHANGE USER te selecteren en uw keuze bevestigen door op de keuzebalk te drukken.

## EDIT USER

Door EDIT USER te kiezen kunt u uw gebruikersgegevens wijzigen.

## DELETE USER

Door DELETE USER te kiezen kunt u de actueel geselecteerde gebruiker verwijderen.

## SETTINGS

Door SETTINGS te selecteren kunt u de firmware van de meter updaten, het contrast van het display instellen, de totale waarden van de cyclus weergeven en de knop-tonen in of uitschakelen.

## USER LOG

Door de optie USER LOG te kiezen, kunt u informatie over de training van de geselecteerde gebruiker weergeven. U kunt informatie over de meest recente trainingssessie of een samenvatting van alle trainingssessies van de gebruiker weergeven. U verlaat de weergave van deze informatie door op BACK/STOP te drukken.

## TRAINING MENU

U opent het menu TRAINING door op de knop TRAINING te drukken. Vanuit het menu TRAINING kunt u door de lijst scrollen en een van de volgende trainingssessies kiezen. Druk vervolgens op de keuzebalk.

## QUICK START

Met Snelstart begint u gelijk met de MANUALtraining, zonder gebruikersinstellingen.

1. Kies QUICK START. Bevestig uw keuze door op de keuzebalk te drukken en begin uw trainingssessie.
2. U kunt de weerstand (1-58 Nm) vergroten of verkleinen met de schuifknop aan de rechterkant.
3. Om de trainingssessie te beëindigen drukt u op de knop BACK/STOP. U kunt de sessie vervolgens afsluiten door de optie EXIT te kiezen, de sessie opslaan in het geheugen door SAVE AND EXIT te kiezen of doorgaan met uw trainingssessie door CONTINUE te kiezen.

## MANUAL

Met deze optie kunt u uw inspanningsniveau tijdens de training instellen met de schuifknop.

1. Kies MANUAL.
2. Kies met de schuifknop uw streefwaarde voor de sessie: tijd, afstand of energieverbruik. Bevestig uw keuze door op de keuzetoets te drukken.
3. Stel de streefwaarde voor de sessie in met de schuifknop: tijd (10-180 minuten), afstand (3-100 km) of energieverbruik (50-2000 Kcal). Bevestig uw keuze door op de keuzetoets te drukken.
4. Begin uw sessie door de pedalen te bewegen. U kunt de weerstand (1-58 Nm) vergroten of verkleinen met de schuifknop. Tijdens de training kunt u de weerstand of hartslag weergeven met de knop aan de onderkant van het scherm.
5. Wanneer de streefwaarde van de training gehaald is, geeft de monitor een geluidssignaal. U kunt dan echter als u wilt gewoon doorgaan met de training.
6. Om de trainingssessie te beëindigen drukt u op de knop BACK/STOP. U kunt de sessie vervolgens afsluiten door de optie EXIT te kiezen, de sessie opslaan in het geheugen door SAVE AND EXIT te kiezen of doorgaan met uw trainingssessie door CONTINUE te kiezen.

## TARGET HR PROGRAMMA VOOR DE STREEFHARTSLAG

Zorgt ervoor dat de weerstand steeds zodanig aangepast

wordt dat uw hartslag op de ingestelde waarde blijft. Als de hartslag te hoog wordt neemt de weerstand automatisch af, als de hartslag te laag wordt, neemt de weerstand automatisch toe, waardoor u een grotere inspanning moet leveren. De ingestelde hartslagwaarde. Hiervoor moet uiteraard de hartslag gemeten worden.

1. Kies de streefwaarde voor uw hartslag bij TARGET HR.
2. Stel de hartslag (80-220) voor de trainingssessie in met de schuifknop. Bevestig uw keuze.
3. Kies met de schuifknop de gewenste zwaarte van de sessie in, uitgedrukt in tijd, afstand of energieverbruik. Bevestig uw keuze door op de keuzetoets te drukken.
4. Stel de streefwaarde voor de sessie in met het keuzewiel: tijd (10-180 minuten), afstand (3-100 km) of energieverbruik (200-8000 Kcal). Bevestig uw keuze door op de keuzetoets te drukken.
5. Begin uw sessie door de pedalen te bewegen. Met de schuifknop kunt u de hartslag (80-220) wijzigen. Tijdens de training kunt u de weerstand of hartslag weergeven met de knop aan de onderkant van het scherm.
6. Wanneer de streefwaarde van de training gehaald is, geeft de monitor een geluidssignaal. U kunt dan echter als u wilt gewoon doorgaan met de training.
7. Om de trainingssessie te beëindigen drukt u op de knop BACK/STOP. U kunt de sessie vervolgens afsluiten door de optie EXIT te kiezen, de sessie opslaan in het geheugen door SAVE AND EXIT te kiezen of doorgaan met uw trainingssessie door CONTINUE te kiezen.

## WATT-INSTELLINGEN

Door het programma WATT CONTROL te kiezen, kunt u de gewenste inspanningswaarde in Watt instellen. Hierbij wordt de inspanning om de pedalen te bewegen onafhankelijk van de pedaalslagen. De ingestelde inspanningswaarde kan ook tijdens de training worden gewijzigd.

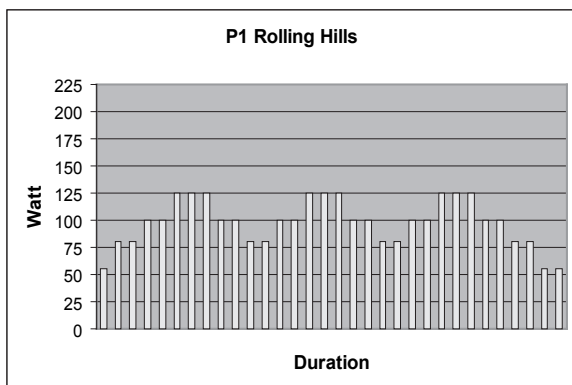
1. Kies WATT CONTROL.
2. Stel het inspanningsniveau (20-600 W) voor de trainingssessie in met de schuifknop. Bevestig uw keuze door op de keuzetoets te drukken.
3. Kies de gewenste zwaarte van de sessie, uitgedrukt in tijd, afstand of energieverbruik. Bevestig uw keuze.
4. Stel de streefwaarde voor de sessie in: tijd (10-180 minuten), afstand (3-100 km) of energieverbruik (200-8000 Kcal). Bevestig uw keuze.
5. Begin uw sessie door de pedalen te bewegen. U kunt de weerstand (20-600 W) vergroten of verkleinen met de schuifknop. Tijdens de training kunt u de inspanning of hartslag weergeven.
6. Wanneer de streefwaarde van de training gehaald is, geeft de monitor een geluidssignaal. U kunt dan echter als u wilt gewoon doorgaan met de training.
7. Om de trainingssessie te beëindigen drukt u op de knop BACK/STOP. U kunt de sessie vervolgens afsluiten door de optie EXIT te kiezen, de sessie opslaan in het geheugen door SAVE AND EXIT te kiezen of doorgaan met uw trainingssessie door CONTINUE te kiezen.

## PROGRAMMS

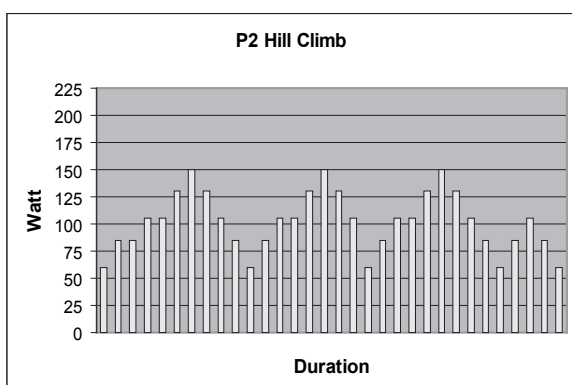
Het soort van trainingen die de Program functie heeft zijn persoonlijk op zichzelf staande trainingen. Vaste of zelf samen te stellen trainingsprofielen. Keuzetoets PROGRAMS laat u voorgeprogrammeerde trainingsprofielen gebruiken en wijzigen.

1. Kies PROGRAMS.
2. Kies een programma uit de lijst en selecteer door op de keuzebalk te drukken.  
De profielen P1 t/m P5 zijn Watt-geregelde programma's en P6 t/m P10 zijn hartslagprogramma's die hartslagmeting vereisen. Bevestig uw keuze door het keuzewiel in te drukken.
3. Stel de gewenste zwaarte van de sessie in, uitgedrukt in tijd of afstand. Bevestig uw keuze.
4. Stel de streefwaarde voor de sessie in: tijd (10-180 minuten) of afstand (3-100 km).  
Bevestig uw keuze.
5. Start het programma door de pedalen te bewegen. U kunt de weerstand vergroten of verkleinen met het schuifknop. Tijdens de training kunt u de inspanning of hartslag weergeven. Om de hartslag te kunnen weergeven, moet deze worden gemeten.
6. Wanneer de streefwaarde van de training gehaald is, geeft de monitor een geluidssignaal. U kunt dan echter als u wilt gewoon doorgaan met de training.
7. Om de trainingssessie te beëindigen drukt u op de knop BACK/STOP. U kunt de sessie vervolgens afsluiten door de optie EXIT te kiezen, de sessie opslaan in het geheugen door SAVE AND EXIT te kiezen of doorgaan met uw trainingssessie door CONTINUE te kiezen.

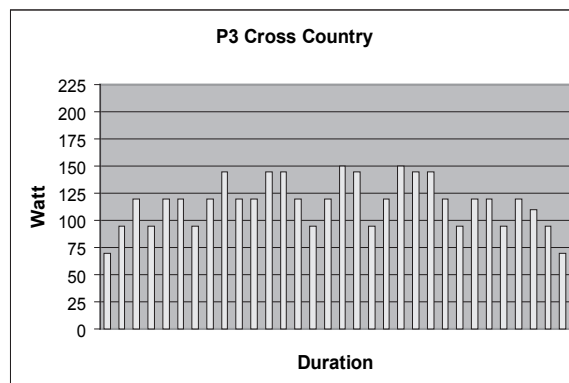
**PROFIEL P1.** Intensiviteitsprofiel met drie pieken voor verbetering van de zuurstofopname. De pieken duren vrij lang, maar met de ingestelde waarden het profiel is geschikt voor beginners. Met de vooraf ingestelde waarden, de gemiddelde inspanning is 98 watt, de piek inspanning is 125 watt.



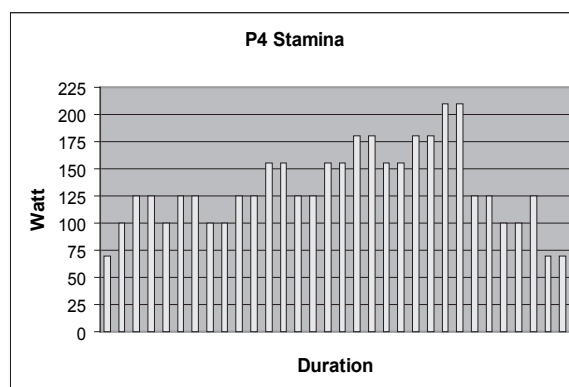
**PROFILE P2.** Intensiviteitsprofiel met drie pieken voor verbetering van de zuurstofopname. De pieken zijn vrij kort. Het profiel is geschikt voor beginners. Met de vooraf ingestelde waarden, de gemiddelde inspanning is 102 watt, de piek inspanning is 150 watt.



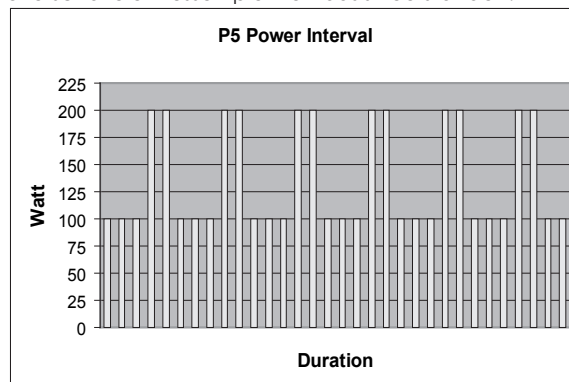
**PROFILE P3.** Intensiviteitsprofiel met vele pieken om de explosieve kracht te verbeteren. De inspanning wordt onregelmatig gevarieerd en de pieken duren vrij kort. Het profiel is geschikt voor iedereen. Met de vooraf ingestelde waarden, de gemiddelde inspanning is 117 watt, de piek inspanning is 150 watt.



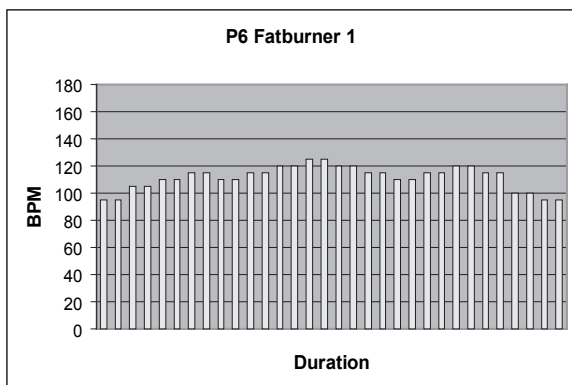
**PROFILE P4.** Intensief bergop-profiel voor verbetering van het uithoudingsvermogen. De vrij lange pieken worden steeds hoger. Het profiel is vooral geschikt voor personen met een goede conditie. Met de vooraf ingestelde waarden, de gemiddelde inspanning is 133 watt, de piek inspanning is 210 watt.



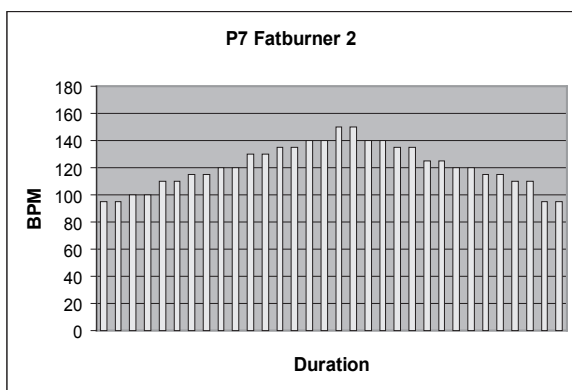
**PROFILE P5.** Regelmatig intensief intervalprofiel, met duidelijk te onderscheiden piek- en basisvermogen. De standaardinstelling van het vermogen is 138 W, piekvermogen 200 W. Let op, in dit profiel kunt u apart overschakelen tussen piek- en basisweerstand.



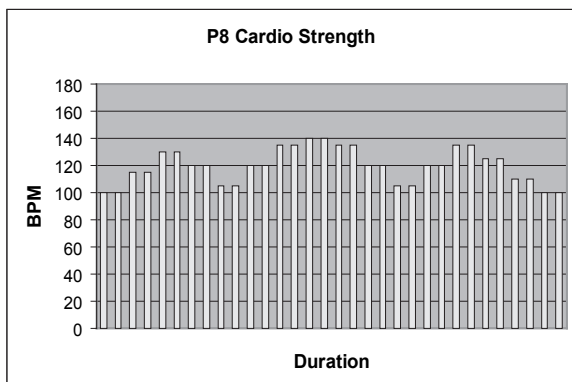
**PROFILE P6.** Hartslagprofiel met drie pieken voor verbetering van de zuurstofopname. De pieken zijn vrij lang. Het profiel is ook geschikt voor beginners. Met de vooraf ingestelde waarden, de gemiddelde hartslagritme is 112, de piek hartslag is 125.



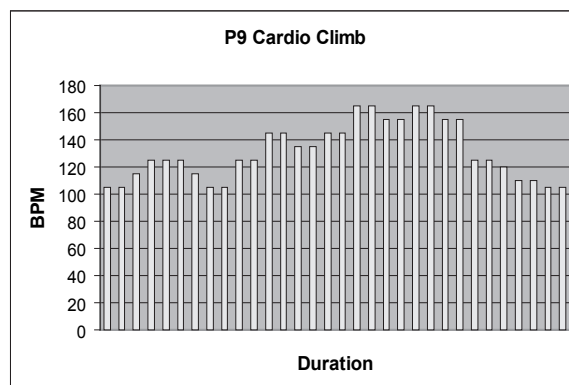
**PROFILE P7.** Bergop-hartslagprofiel. Tot halverwege neemt de hartslag gelijkmatig toe en daalt daarna gelijkmatig. Het profiel is ook geschikt voor beginners. Met de vooraf ingestelde waarden, de gemiddelde hartslagritme is 121, de piek hartslag is 150.



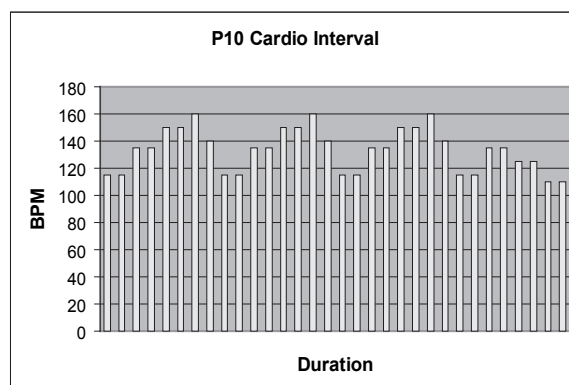
**PROFILE P8.** Hartslagprofiel met drie pieken voor verbetering van het uithoudingsvermogen. De pieken duren vrij lang, maar de hartslag blijft steeds tamelijk gelijkmatig. Het profiel is geschikt voor iedereen. Met de vooraf ingestelde waarden, de gemiddelde hartslagritme is 120, de piek hartslag is 140.



**PROFILE P9.** Bergop-hartslagprofiel voor verbetering van het uithoudingsvermogen. De vrij lange pieken worden steeds hoger. Het profiel is vooral geschikt voor personen met een goede conditie. Met de vooraf ingestelde waarden, de gemiddelde hartslagritme is 131, de piek hartslag is 170.



**PROFILE P10.** Hartslagprofiel met drie pieken voor verbetering van de zuurstofopname. Na de vrij lange pieken begint een gelijkmatige herstelfase. Het profiel is vooral geschikt voor personen met een goede conditie. Met de vooraf ingestelde waarden, de gemiddelde hartslagritme is 133, de piek hartslag is 160.



## T-RIDE

T-RIDE TRAINING is een simulatie van het fietsen in een natuurlijke omgeving. Tijdens de training kunt u naar een andere versnelling schakelen met de schuifknop en het hoogteprofiel bekijken.

1. Kies T-RIDE.
2. Kies het terrein en bevestig uw keuze.
3. Stel het beginpunt in door op het profiel te drukken en bevestig door op de keuzetoets te drukken.
4. Stel het eindpunt voor de sessie in door op het profiel te drukken en bevestig door op de keuzetoets te drukken.
5. Begin uw sessie door de pedalen te bewegen. U kunt schakelen (versnelling 1 t/m 8) met de schuifknop. Tijdens de training kunt u het hoogteprofiel of de hartslag weergeven. Om de hartslag te kunnen weergeven, moet deze worden gemeten.
6. Nadat u de route hebt afgelegd, geeft de meter een piepton weer en is de trainingssessie voltooid.
7. Om de trainingssessie te beëindigen drukt u op de knop BACK/STOP. U kunt de sessie vervolgens afsluiten door de optie EXIT te kiezen, de sessie opslaan in het geheugen door SAVE AND EXIT te kiezen of doorgaan met uw trainingssessie door CONTINUE te kiezen.

## T-ROAD

**⚠ BELANGRIJK:** u kunt alleen een T-ROAD trainingssessie uitvoeren als de geheugenstick in de meter is geplaatst. T-ROAD is vergelijkbaar met TRIDE, maar tijdens een T-ROAD-trainingssessie kunt u ook een video van uw

trainingsvorderingen bekijken. Tijdens de training kunt u het hoogtepunt of de video weergeven met behulp van het keuzewiel.

## T-MUSIC

**!** **BELANGRIJK:** u kunt alleen een T-MUSIC trainingssessie uitvoeren als de geheugenstick in de meter is geplaatst. T-MUSIC-programma's worden gestuurd door de hartslag. Tijdens de training verandert het tempo van de muziek naargelang de inspanning van de trainingssessie. De lengte van het T-MUSIC-programma bedraagt 40 minuten. U kunt de geselecteerde hartslag niet wijzigen tijdens de training. Het programma vereist hartslagmeting.

1. Kies T-MUSIC.
2. Scroll door de lijst om een programma te kiezen (1 t/m 3). Bevestig uw keuze door op de keuzebalk te drukken.
3. Start het programma door de pedalen te bewegen. Tijdens de training kunt u de inspanning of hartslag weergeven met de knop aan de onderkant van het scherm.
4. Na 40 minuten geeft de meter een pieptoon weer en is de trainingssessie voltooid.
5. Om de trainingssessie te beëindigen drukt u op de knop BACK/STOP. U kunt de sessie vervolgens afsluiten door de optie EXIT te kiezen, de sessie opslaan in het geheugen door SAVE AND EXIT te kiezen of doorgaan met uw trainingssessie door CONTINUE te kiezen.

## EIGEN TRAINING

U kunt tot 100 trainingsprogramma's maken en opslaan op de meter.

### EEN PROGRAMMA OPSLAAN

1. Beëindig uw trainingssessie door op BACK/STOP te drukken.
2. Kies SAVE AND EXIT en bevestig uw keuze.
3. Voer een naam in voor de trainingssessie en druk op Enter.

**!** **BELANGRIJK!** U kunt alleen programma's opslaan die langer dan tien minuten duren.

**!** **BELANGRIJK!!** Om een trainingssessie op te slaan dient u een gebruikersnaam te kiezen.

### OPGESLAGEN PROGRAMMA'S GEBRUIKEN

1. Kies OWN TRAINING.
2. Kies een trainingssessie in de lijst.
3. Kies de gewenste methode voor de uitvoering:  
A) Herstart = herhaal de training zoals deze is opgeslagen  
B) Aanpassen = bewerk de duur van de opgeslagen training voordat deze in gebruik wordt genomen  
C) Race = houd een wedstrijd tegen de opgeslagen trainingsprestatie.  
**BELANGRIJK!** Bij de wedstrijdfunctie kunt u alleen programmaprofielen gebruiken die zijn gemaakt in de manual functie. In dergelijke profielen wordt de weerstand weergegeven in standaard krukasmoment (Nm).  
4. Bevestig uw keuze door op de keuzetoets te drukken.  
A) Herstart = begin de training door te gaan fietsen. Stel het inspanningsniveau voor de trainingssessie in met de schuifknop.  
B) Aanpassen = kies de duur van de training met de schuifknop (SET TIME tussen 10 en 180 min.).

Begin de training door te gaan fietsen. Stel het inspanningsniveau voor de trainingssessie in met de schuifknop.

C) Race = scroll door de lijst om de racemodus te kiezen (tijd: de afstand die u in een bepaalde tijd kunt afleggen; of afstand: hoe snel u een bepaalde afstand kunt afleggen) en bevestig uw keuze met de keuzetoets. Op het display wordt een programma weergegeven dat eerder is opgeslagen. Beweeg de pedalen om met de race te beginnen. De stippellijn op het display geeft aan of u vóór of achter ligt op het schema van de het de meest recent opgeslagen trainingssessie met hetzelfde programma. Ook de afstand ten opzichte van de vorige opgeslagen sessie wordt weergegeven. De vorige opgeslagen trainingssessie wordt aangeduid met een lichtblauwe verticale stippellijn en uw prestaties tijdens de huidige race worden aangeduid door een zwarte verticale stippellijn.  
5. Om de trainingssessie te beëindigen drukt u op de knop BACK/STOP. U kunt de sessie vervolgens afsluiten door de optie EXIT te kiezen, de sessie opslaan in het geheugen door SAVE AND EXIT te kiezen of doorgaan met uw trainingssessie door CONTINUE te kiezen.

## CONDITIETEST

De conditietest van de monitor is een meertrapstest. Deze begint met een lichte inspanning, maar afhankelijk van het gekozen testmodel neemt de inspanning gelijkmatig toe. De meertrapstest is een veilige en betrouwbare submaximale manier om de lichamelijke conditie te testen. De test wordt voortgezet tot de individuele streefwaarde voor de hartslag (85 % van uw maximale hartslag) is bereikt. Voor de test is het gebruik van de hartslagriem vereist: tijdens de test houdt de monitor de wijzigingen in de hartslag bij en schat aan de hand daarvan uw maximale zuurstofopnamecapaciteit. De maximale zuurstofopnamecapaciteit is de beste manier om de lichamelijke conditie in te schatten. Na de test geeft de meter uiteenlopende informatie over uw conditie in de vorm van een beschrijving en een numerieke waarde (ml/kg/min).

## VOORBEREIDING OP DE TEST

1. Controleer of de gegevens voor uw gebruikersnaam zijn bijgewerkt – de meter gebruikt de gegevens over de gebruiker als uitgangspunt voor de conditietest.
2. Kies FITNESS TEST.
3. Scroll door de lijst om de conditiecategorie te kiezen die het beste bij u past:  
A) inactief = beoefent geen lichaamsbeweging, zwakke conditie  
B) actief = doet aan lichaamsbeweging, gemiddelde of goede conditie  
C) athletisch = doet actief aan lichaamsbeweging, goede of uitstekende conditie
4. Op het display komt het testmodel dat correspondeert met de respectieve conditiecategorie.  
A) Tijd/Stap = duur van de vermogenstrappen tijdens de test  
B) Stappen = vermogen van de trap (in Watt); de test bestaat uit meerdere trappen  
C) Eerste fase = inspanningstrap waarmee de test begint
5. Bevestig uw keuze door op de keuzetoets te drukken.
6. Indien nodig kunt u de streefwaarde voor uw hartslag aanpassen met de schuifknop. Bevestig uw instellingen met de keuzetoets.
7. Het display geeft aan dat u kunt stoppen met de test zodra u de streefwaarde voor uw hartslag hebt bereikt. Start de test door op de knop te drukken.

## UITVOERING VAN DE TEST

1. Op het display komt het gekozen trappenmodel van de test. Begin de test door te gaan fietsen. De curve van uw hartslag wordt in het rood op het display afgebeeld en wordt tijdens de test steeds bijgewerkt. De streefwaarde voor de hartslag is een rode stippellijn.

2. Wanneer uw hartslagniveau de streefwaarde bereikt, geeft de monitor een geluidssignaal en een melding op het display. Wij bevelen u aan om de test nu te stoppen, maar als uw conditie voldoende goed is, kunt u ook doorgaan met de test. Als de streefwaarde voor uw hartslag correct is ingesteld (d.w.z. dat u precies genoeg heeft vastgesteld wat uw maximale hartslag is), levert doorgaan met de test echter geen verbetering in de testnauwkeurigheid op. Als u uw maximale hartslag te hoog inschat, wordt ook uw conditie te hoog ingeschat. Op dezelfde manier wordt uw conditie te laag ingeschat als u uw maximale hartslag te laag inschat.

3. Om de test te stoppen als u de streefwaarde voor uw hartslag hebt bereikt, drukt u op de knop BACK/STOP of stopt u met het bewegen van de pedalen. De monitor toont vervolgens het testresultaat:

A) aërobische conditie = schatting van uw conditieniveau in het inspanningsgebied dat u meestal gebruikt en dat het best weergeeft hoe goed uw lichamelijke conditie is.

B) MET-waarde = getal dat het aantal veelvouden aangeeft waarmee de zuurstofopnamecapaciteit van uw lichaam kan toenemen ten opzichte van een volledige rusttoestand.

C) ml/kg/min = uw zuurstofopnamecapaciteit uitgedrukt in milliliters zuurstof per minuut per kilo lichaamsgewicht.

D) l/min = uw zuurstofopnamecapaciteit uitgedrukt in liters zuurstof per minuut. Het verschil met de voorafgaande waarde is, dat hier geen rekening wordt gehouden met uw lichaamsgewicht.

E) Wmax = schatting van uw maximale prestatieniveau in Watt.

F) W/kg = verhoudingsgetal van uw maximale prestatieniveau en uw gewicht.

MANNEN / MAXIMALE ZUURSTOFOPNAMEVERMOGEN (VO2MAX) 1 = ZEER SLECHT, 7 = UITSTEKEND							
	1	2	3	4	5	6	7
18-19	<33	33-38	39-44	45-51	52-57	58-63	>63
20-24	<32	32-37	38-43	44-50	51-56	57-62	>62
25-29	<31	31-35	36-42	43-48	49-53	54-59	>59
30-34	<29	29-34	35-40	41-45	46-51	52-56	>56
35-39	<28	28-32	33-38	39-43	44-48	49-54	>54
40-44	<26	26-31	32-35	36-41	42-46	47-51	>51
45-49	<25	25-29	30-34	35-39	40-43	44-48	>48
50-54	<24	24-27	28-32	33-36	37-41	42-46	>46
55-59	<22	22-26	27-30	31-34	35-39	40-43	>43
60-65	<21	21-24	25-28	29-32	33-36	37-40	>40
60-65	<21	21-24	25-28	29-32	33-36	37-40	>40

VROUWEN / MAXIMALE ZUURSTOFOPNAMEVERMOGEN (VO2MAX) 1 = ZEER SLECHT, 7 = UITSTEKEND							
	1	2	3	4	5	6	7
18-19	<28	28-32	33-37	38-42	43-47	48-52	>52
20-24	<27	27-31	32-36	37-41	42-46	47-51	>51
25-29	<26	26-30	31-35	36-40	41-44	45-49	>49
30-34	<25	25-29	30-33	34-37	38-42	43-46	>46
35-39	<24	24-27	28-31	32-35	36-40	41-44	>44
40-44	<22	22-25	26-29	30-33	34-37	38-41	>41
45-49	<21	21-23	24-27	28-31	32-35	36-38	>38
50-54	<19	19-22	23-25	26-29	30-32	33-36	>36
55-59	<18	18-20	21-23	24-27	28-30	31-33	>33
60-65	<16	16-18	19-21	22-24	25-27	28-30	>30
60-65	<16	16-18	19-21	22-24	25-27	28-30	>30

## GEHEUGENSTICK

De geheugenstick bevat alle T-ROAD en T-MUSIC programma's en sommige van de T-RIDE programma's.



**BELANGRIJK:** De programma's van de USB stick kunnen alleen uitgevoerd worden als de USB stick in de monitor geplugged is.

## INTERNET

Verbinding met internet maken.

1. Druk op de knop Wi-Fi om uw Wi-Fi-instellingen te openen.

2. Kies een bestaand netwerk uit de lijst of kies 'Handmatige instelling' om een nieuwe netwerkverbinding in te stellen.

**Let op!** De monitor ondersteunt geen draadloze netwerken met een verborgen SSID.

3. Voer de naam van het netwerk in.

4. Kies een beveiligingstype. (Zie uw draadloze toegangspunt voor uitleg over beveiligingstypen)

5. Voer de juiste beveiligingsleutel in (Wachtwoord)  
Let op: wachtwoorden zijn hoofdlettergevoelig.

6. Kies de verbindingmodus: handmatig of automatisch verbinding maken.

Indien u problemen hebt met uw verbinding, neem dan contact op met uw internetprovider voor meer informatie.



## Waarschuwing

Controleer uw internetabonnement. Afhankelijk van het soort contract is het mogelijk dat u moet betalen voor het downloaden van data of voor de tijdsduur. Indien u Automatisch verbinding maken selecteert, is er continue verbinding, wat kan leiden tot een hoog dataverbruik. U kunt de handmatige modus kiezen om handmatig verbinding te maken. Let erop dat u de Wi-Fi-verbinding verbreekt aan het einde van de training, in de slaapmodus blijft de verbinding geactiveerd. Tunturi is niet verantwoordelijk voor eventuele kosten die gemaakt worden in verband met de internetverbinding, we verstrekken slechts de apparatuur die verbinding kan maken met bestaande netwerken, ongeacht eventuele kosten.

## Internet gebruiken

De browser op de monitor kan alleen gebruikt worden om op internet te surfen. Er kan slechts een beperkt aantal bestanden gedownload en gebruikt worden met de monitor (ca. 80 MB). Alleen mediabestanden zijn bruikbaar. Let op! Deze browser is niet compatibel

met Flash-filmmateriaal en kan geen Flash-content weergeven.

### Disclaimer

Vergewist u zich ervan dat het gebruik van internet (surfen en downloaden) en het gebruik van externe apparaten (USB/IPod) bepaalde risico's heeft voor de monitor. Tunturi is niet verantwoordelijk voor schade die ontstaat door het gebruik van internet en externe apparaten, noch voor virussen, spyware of malware die hieruit resulteren. Bezoek altijd alleen betrouwbare websites en controleer uw externe apparaten op virussen, spyware en malware voordat u deze gaat gebruiken in combinatie met de monitor.

### SOFTWARE-UPDATE

We streven er continu naar om onze kwaliteit te verbeteren. Bezoek onze website [www.tunturi.com](http://www.tunturi.com) regelmatig om te zien of er een software-update beschikbaar is om de werking en prestatie van uw monitor te verbeteren.

## ONDERHOUD

De Tunturi apparaten hebben weinig onderhoud nodig. Het is raadzaam om zo nu en dan te controleren of alle bouten en moeren nog goed vast zitten. U kunt het apparaat schoonhouden door het af te nemen met een vochtige doek. Gebruik echter geen oplosmiddelen.

De metalen delen kunt u het beste tegen de inwerking van transpiratievocht beschermen, om regelmatig deze delen te behandelen met een car-wax of teflonolie. Verwijder de kunststof behuizing van het apparaat nooit!

De elektromagnetische weerstand genereert een magnetisch veld dat bijvoorbeeld horloges of de magneetstrip op bank- en creditcards kan beschadigen als deze in direct contact komen met de magneten. Probeer daarom nooit het gedeelte met de elektromagnetische weerstand te openen of te demonteren!

Het elektromagnetische weerstand systeem is gebaseerd op het opwekken van elektromagnetische kracht. Het weerstand niveau en de veranderingen daarvan worden elektronisch gemeten en weergegeven, op het beeldscherm, in Watts. Hierdoor hoeft uw Tunturi fietsergometer niet opnieuw gekalibreerd te worden wanneer deze gemonteerd, onderhouden of gebruikt wordt, geheel volgens de instructies in deze handleiding.

## GEBRUIKSSTORINGEN

**!** **BELANGRIJK!** Ondanks voortdurende kwaliteitscontroles, kunnen er defecten of storingen optreden die het gevolg zijn van het niet goed functioneren van onderdelen die in de looptrainer zijn gebruikt. In de meeste gevallen is het onnodig om het gehele apparaat ter reparatie aan te bieden, aangezien de storing meestal kan worden opgelost door het vervangen van het defecte onderdeel. Mochten er storingen optreden bij het gebruik van de trainer, neem dan onmiddellijk contact op met uw Tunturi dealer. Vermeldt daarbij altijd het model en het serienummer van uw Tunturi trainer, de eventuele storingscode en door wie de trainer is geïnstalleerd.

Vermeldt bij het bestellen van onderdelen het model, het serienummer van het apparaat en het nummer van het onderdeel. Op de laatste pagina's van deze gids vindt u de onderdelenlijst.

## VERPLAATSSEN

Wilt u uw fietstrainer verplaatsen, doe dat dan op de hieronder omschreven manier. Het verkeerd optillen van een zwaar apparaat, kan immers rugletsel veroorzaken.

Schakel bij het verplaatsen van het apparaat altijd eerst de elektriciteit uit en neem de stekker uit het stopcontact!

Ga achter het apparaat staan. Pak met een hand het zadel vast en met de andere het stuur. Plaats een voet op de achtersteun. Kantel het apparaat zo dat het op de transportwielletjes komt te staan. Rij het apparaat op de transportwielletjes naar de andere plek. Laat het apparaat langzaam zakken. Hou daarbij het stuur vast en blijf achter het apparaat staan tot de trainer weer op de grond staat.

Pas op dat de vloer niet beschadigt wanneer u het toestel verplaatst. Bescherm tere vloermaterialen zoals parketvloeren enz.

Om schade aan het apparaat te voorkomen, is het raadzaam de trainer op een droge plek met zo min mogelijk stof en temperatuurwisselingen te plaatsen.

## TECHNISCHE GEGEVENS

Lengte	99 cm
Breedte	70 cm
Hoogte	116 cm
Gewicht	46 kg

Dit product voldoet aan de eisen van EUs EMC Directieven betreffende elektromagnetische compatibiliteit (89/336/EEC) en elektrische apparatuur ontworpen voor gebruik binnen bepaalde spanningslimieten (73/23/EEC). Daarom is dit product met de CE label voorzien.

Dit product voldoet aan EN precisie- en veiligheidsnormen (Norm SA, EN-957, deel 1 en 5).

Tunturi is gerechtigd om specificaties te veranderen zonder daarover nader te berichten.

**!** **BELANGRIJK!** De garantie vervalt bij schade als gevolg van het niet volgen van de instructies in deze gids betreffende het monteren, het instellen en het onderhouden van de apparatuur. De instructies dienen bij het in elkaar zetten, het onderhoud en het gebruik, zo zorgvuldig mogelijk te worden gevolgd. Veranderingen of modificaties, welke niet door Accell Fitness zijn goedgekeurd, laten de Accell Fitness product aansprakelijkheid geheel vervallen.

**WIJ WENSEN U VEEL PLEZIERIGE TRAININGEN MET UW NIEUWE TUNTURI TRAININGSPARTNER!**

## INDICE

MONTAGGIO	48
REGOLAZIONI	49
TRAINING CON LA TUNTURI	50
PANNELLO	51
USO DEL PANNELLO ELETTRONICO	52
MANUTENZIONE	58
TRASPORTO E IMMAGAZZINAGGIO	58
DATI TECNICI	59

### SEI BENVENUTO NEL MONDO DEGLI ALLENAMENTI TUNTURI!

Hai fatto un'ottima scelta. Si vede che tieni alla tua forma fisica. Indubbiamente sei una persona esigente che richiede il meglio in quanto a qualità e stile. Nella Tunturi troverai il tuo partner ideale. Alta tecnologia, sicurezza e stimolo per sempre migliori prestazioni sono le sue caratteristiche. Qualunque sia il tipo di allenamento che intendi praticare, questo è lo strumento fatto per te. Nel fascicolo unito al tuo attrezzo Tunturi troverai le informazioni necessarie per un allenamento efficace. Puoi anche consultare il sito internet della Tunturi ([WWW.TUNTURI.COM](http://WWW.TUNTURI.COM)).

## AVVERTENZE

Questo libretto di istruzioni è una parte essenziale della tua attrezzatura da ginnastica. Leggi con attenzione quanto scritto in questa guida, prima del montaggio dei pezzi e prima di fare uso dell'attrezzo o di effettuare qualunque manutenzione. Ti raccomandiamo pure di conservare la presente guida in un luogo sicuro e a portata di mano; essa ti fornirà, adesso e nel futuro, tutte le istruzioni necessarie all'uso e alla manutenzione della tua attrezzatura da ginnastica. Tali istruzioni devi seguirle sempre con molta attenzione!

### AVVERTENZE SULLA VOSTRA SALUTE

- Prima di iniziare l'allenamento consultate un medico per controllare la vostra condizione fisica.
- Se avvertite disturbi, nausea o altri sintomi anormali durante l'esercizio, smettete immediatamente e consultate un medico.
- Onde evitare dolori muscolari, fate alcuni esercizi di stiramento prima dell'allenamento.

### AVVERTENZE SULL'AMBIENTE

- L'attrezzo non è stato progettato per essere usato all'aperto.
- Posizionare l'attrezzo su una superficie la più piana possibile.
- Assicuratevi che l'ambiente dove vi allenate abbia ventilazione adeguata e non sia umido.
- Consigliamo di conservare l'attrezzo, quando in uso, a temperatura ambiente da +10 a +35°C. L'attrezzo può essere immagazzinato da -15 a + 40°C. Il tasso d'umidità non deve mai superare il 90 %.

### AVVERTENZE SULL'USO DELL'ATTREZZO

- Se si permette ai bambini di usare l'attrezzo, si deve sempre tenere conto del loro sviluppo fisico e mentale e del loro temperamento. Devono essere istruiti al corretto uso dell'attrezzo e controllati.
- Prima dell'uso assicuratevi che l'attrezzo funzioni correttamente. Non usate un attrezzo difettoso.
- Non appoggiarsi mai sul pannello.
- Premi i tasti con il polpastrello: le unghie possono danneggiare la membrana del display.
- Non usate mai l'attrezzo con carter smontati.
- Per evitare danni consigliamo di collocare l'attrezzo su una superficie protettiva.
- L'attrezzo può essere usato da una persona sola alla volta.
- Impugnate il manubrio per salire o scendere dall'attrezzo.
- Proteggi il pannello dell'utente dalla luce del sole. La superficie del pannello, se bagnata dal sudore, deve sempre essere asciugata.
- Indossate abbigliamento appropriato durante l'allenamento.
- Non tentate riparazioni e manutenzioni diverse da quelle descritte da questo manuale.
- L'attrezzo non può essere usato da persone, il cui peso superi i 150 kg.
- Per maggiori informazioni sulle condizioni di garanzia dell'attrezzo, consultare il libretto di garanzia allegato. La garanzia non copre danni derivati da negligenze derivate nelle regolazioni o nelle manutenzioni descritte in questo manuale!

## MONTAGGIO

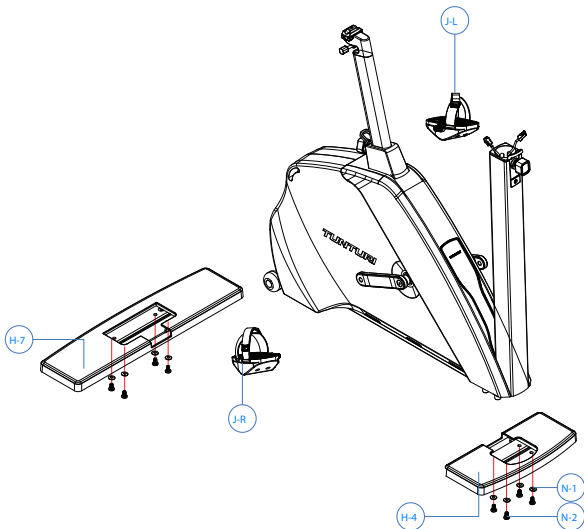
Aprire l'imballaggio, adagiandolo sul fianco. Estrarre il prodotto dalla scatola e controllare che questa contenga i seguenti componenti:

1. Telaio
2. Supporto posteriore e frontale
3. Pedali (2)
4. Manubrio
5. Interfaccia
6. Trasformatore
7. Utensili (le parti sono segnate con \* nella lista pezzi di ricambio): conserva tali utensili con cura, in quanto ne puoi aver bisogno (per esempio, in fase di regolazione dell'attrezzo)

La lista pezzi di ricambio, la trovi nel retro di questa guida. Se notate la mancanza di qualcosa, contattate il vostro rivenditore indicando modello, numero di serie e codice del ricambio. L'imballaggio è inclusivo di sacchetto riempito con silicati, per l'assorbimento dell'umidità durante l'immagazzinamento e il trasporto. Ricordati di disfartene, dopo il disimballaggio dell'attrezzatura. Le direzioni sinistra, destra, fronte e retro sono definite in rapporto alla posizione in cui si trova la persona durante l'allenamento. Si raccomanda di installare l'attrezzo con l'aiuto di un'altra persona.



## SUPPORTO POSTERIORE E ANTERIORE



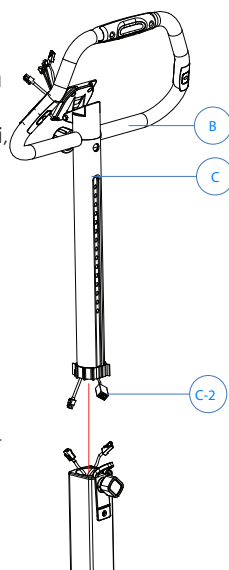
Tenendo saldamente il sedile, inclinare l'attrezzo all'indietro in modo che poggi sulle rotelle da trasporto. Fissare il supporto posteriore dal basso tramite quattro viti esagonali a testa cilindrica e le relative rondelle. Fissare il supporto anteriore al telaio utilizzando quattro viti e rondelle. Riportare l'attrezzo in posizione verticale in modo che poggi sulla pedana di supporto.

## PEDALI

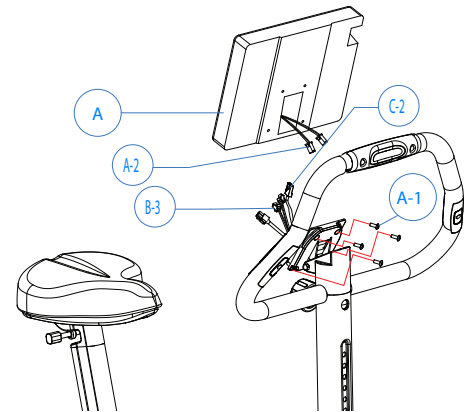
I pedali sono distinguibili con i marchi L (sinistro) e R (destra), incisi sul loro asse. Fissa il pedale di sinistra alla pedivella che si trova a sinistra del telaio, girando il pedale in senso antiorario. Allo stesso modo, fissa il pedale di destra alla pedivella di destra, sempre girando in senso antiorario. Fissare le cinghie dei pedali partendo dal raccordo sul lato dell'attrezzo. Inserire la cinghia attraverso la forcella del pedale. Pressare la cinghia nel supporto del pedale. Fissare le cinghie alle superfici esterne dei pedali. Inserire le cinghie attraverso i ganci di fissaggio. L'agganciamento sarà automatico. La lunghezza della cinghia è regolabile. Regolare la lunghezza della cinghia per mezzo dei ganci di fissaggio.

## MANUBRIO

Collegare il cavo che parte dal telaio anteriore al connettore che si trova nella parte inferiore del manubrio. Assicurarsi che il cavetto di alimentazione si blocchi, facendo clic nella presa. Allentare la manopola di fissaggio del manubrio ruotandola in senso antiorario, quindi tirarla verso l'esterno. Guidare il cavetto collegato, all'interno del tubo. Inserire il manubrio nel tubo del telaio anteriore. Dopo aver regolato il manubrio nella posizione desiderata, rilasciare la manopola di fissaggio. Accertarsi che il manubrio sia bloccato. Ruotare la manopola di fissaggio in senso orario per serrarla.

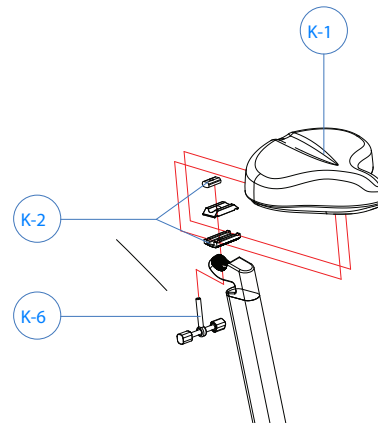


## PANNELLO



Collegare i cavi del manubrio ai connettori corrispondenti sul pannello. Inserire i cavi collegati nel pannello, verificando che non siano danneggiati una volta che il pannello è collegato. Collocare il pannello in posizione all'estremità del tubo di supporto del manubrio e fissarlo utilizzando 4 viti.

## SELA



Allentare le viti di bloccaggio del supporto del sedile e ruotare la leva di bloccaggio superiore fino ad allinearla con l'attrezzo. Inserire il sedile in posizione lungo le scanalature della leva di bloccaggio inferiore. Ruotare la leva di bloccaggio superiore in direzione dei binari del sedile e bloccare il sedile serrando la vite di bloccaggio.

## CAVETTO DI ALIMENTAZIONE

Collegare il trasformatore alla presa che si trova sopra il piede d'appoggio posteriore. Collegare il cavo di alimentazione del trasformatore alla presa di corrente. Alla fine dell'allenamento, scollegare il cavetto di alimentazione dalla presa di corrente. Assicurarsi che il cavetto di alimentazione non si trovi sotto l'attrezzatura sportiva.

## REGOLAZIONI

### POSIZIONAMENTO DELLA SELLA

Posiziona la sella all'altezza a te adatta; la regola di base è che l'arcata inferiore del piede possa raggiungere il pedale, quando la gamba sia tenuta in posizione pressochè diritta e contemporaneamente il pedale si trovi nella sua posizione più bassa. Stringi la vite di fissaggio. Tenendo saldamente il sedile con una mano, tirare la manopola di fissaggio verso l'esterno per

consentire il libero movimento del manubrio verso l'alto e verso il basso. Quando l'altezza sia in posizione corretta, fai in maniera che il bloccaggio, per pomello e seggiolino, venga a trovarsi al posto giusto. Gira il pomello di bloccaggio in senso orario, per stringerlo.

**! AVVERTENZA!** Assicurati sempre che il pomello di bloccaggio sia stretto bene, prima di dar via agli allenamenti!

Per aggiustare la posizione orizzontale della sella, in avanti o all'indietro, sbloccare il sedile girando in senso antiorario la leva di blocco situata sotto il sedile. Regolare il sedile nella posizione desiderata e stringere la leva di blocco girandola in senso orario.

### REGOLAZIONE DEL MANUBRIO

Regolare l'altezza del manubrio allentando la manopola di fissaggio sul tubo di supporto del manubrio. Tirare la manopola di fissaggio verso l'esterno in modo da far scorrere il manubrio verso il basso o verso l'alto. Rilasciare la manopola dopo aver regolato il manubrio sull'altezza desiderata. Il tubo di supporto del manubrio scatta in posizione. Ruotare la manopola di fissaggio in senso orario per serrarla.

Allenta il pomello grigio, che si trova sulla fronte del manubrio, e aggiusta la posizione del manubrio stesso, fino a che tu raggiunga una posizione confortevole per il training. Stringi il pomello grigio con cura. Il design del manubrio vi permette di allenarvi sia in posizione eretta così come inclinati in avanti in entrambi i casi ricordatevi di mantenere dritta in schiena.

### REGOLAZIONE DELL'INCLINAZIONE DEL PANNELLO

Impostare l'inclinazione del pannello in modo che corrisponda alla propria altezza e alla posizione di allenamento.

### REGOLAZIONE DELLA PEDANA DI SUPPORTO

Se l'attrezzo non è stabile, è necessario regolare le viti situate sotto la pedana di supporto.

## TRAINING CON LA TUNTURI

Pedalarci è un eccellente esercizio aerobico molto meglio se di bassa intensità ma di lunga durata per persone di tutte le età. L'allenamento aerobico migliora la capacità polmonare, che migliora la resistenza e la condizione fisica in generale. La capacità del corpo umano di bruciare grasso è direttamente dipendente alla capacità di immissione dell'ossigeno. L'esercizio aerobico deve soprattutto essere divertente. Aumenta la respirazione ma non dovrete mai andare in debito di ossigeno durante l'allenamento. Per esempio, mentre si pedala si dovrebbe riuscire a parlare.

Dovreste allenare almeno tre volte la settimana per 30 minuti per raggiungere un discreto livello che per essere migliorato richiede solo l'incremento delle sessioni di allenamento. Potete iniziare a ritmo blando e bassa resistenza perchè un esercizio troppo intenso può provocare in una persona sovrappeso un affaticamento

del cuore. Si possono controllare i propri progressi misurando le pulsazioni sotto sforzo grazie all'accessorio incluso.

### BATTITO CARDIACO

Il cardiofrequenzimetro, che permette di controllare anche la circolazione superficiale, è integrato nel corrimano. I sensori installati, rivelano la frequenza cardiaca quando l'utente appoggia entrambe le mani sul corrimano. Qualunque sia lo scopo che tu ti sia prefissato, i risultati migliori saranno raggiunti col suddetto training al giusto livello di sforzo, e la misura migliore, per tale sforzo, è il ritmo del tuo stesso cuore.

### RILEVAZIONE DEL BATTITO CARDIACO TRAMITE SENSORI NEL MANUBRIO

Il battito cardiaco viene misurato dalle mani mediante i sensori disposti sul manubrio. I sensori rilevano gli impulsi elettrici generati dal battito cardiaco. La misurazione inizia quando entrambi i sensori del manubrio vengono toccati simultaneamente. Per garantire una misurazione affidabile del battito cardiaco, è necessario che la pelle sia leggermente umida e a continuo contatto con i sensori. Se la pelle è troppo asciutta o bagnata, la misurazione del battito cardiaco attraverso le mani risulta meno affidabile. Cercare di mantenere la parte superiore del corpo e i palmi delle mani rilassati e fermi.

### MISURAZIONE DELLA FREQUENZA CARDIACA CON LA CINTURA

La misurazione telemetrica è la più affidabile, gli elettrodi rilevano e trasmettono le pulsazioni dal cuore al pannello per mezzo di un campo elettromagnetico.

**! ATTENZIONE!** Coloro i quali sono portatori di pacemaker devono consultare il proprio medico, che indicherà o meno la possibilità di utilizzare l'attrezzo con questo tipo di cardiofrequenzimetro.

Se volete misurare le pulsazioni in questo modo durante l'allenamento, inumidite gli elettrodi in gomma posti sulla cinghia elastica con saliva e acqua. Allacciate la cintura sotto al petto abbastanza stretta in modo che gli elettrodi rimangano a contatto con la pelle, ma non così stretta da rendere difficile la respirazione. Il campo di trasmissione massimo o è circa 1 m. nella portata di trasmissione. Se allacciate la cintura sopra una maglietta, inumiditela leggermente nei punti di contatto degli elettrodi.

Se gli elettrodi non sono umidi, il vostro battito non appare sullo schermo. Se gli elettrodi sono asciutti, inumiditeli nuovamente. Se ci sono parecchi sistemi i di rilevazione telemetrica vicini, è bene che la distanza tra loro sia di almeno 1.5 m. Il trasmettitore si accende da solo appena rileva i primi battiti. Sudore o creme possono mantenerlo acceso anche dopo l'uso consumando la batteria. Ecco perchè è bene pulire gli elettrodi dopo l'uso.

Prima di scegliere gli abiti da ginnastica, tieni presente che alcune fibre tessili in essi usate (esempio poliesteri e poliamidi) sono produttrici di elettrostaticità, e ciò può inficiare l'affidabilità della misura pulsazioni. Tieni anche presente che telefono cellulare, TV ed altri apparati elettrici formano all'intorno un campo elettromagnetico, con conseguenti problemi nella misura del battito cardiaco.

Per prima cosa, quindi, devi sapere qual'è il livello massimo di battiti cardiaci, ovvero il livello, oltre il quale le pulsazioni non aumentano, pur aggiungendo sforzi. Se tu non conosci il numero massimo delle tue pulsazioni, puoi usare la seguente formula indicativa:

### 220 - ETÀ

Naturalmente, il valore massimo effettivo varia da persona a persona. Il numero massimo di pulsazioni cardiache diminuisce, in media, di un punto ogni anno. Se appartieni ad uno gruppo a rischio, chiedi a un medico di misurare il tuo livello massimo di pulsazioni cardiache. Abbiamo definito tre differenti aree di pulsazioni, per aiutarti a stabilire il tuo livello di training.

**PRINCIPIANTI:** 50-60 % del massimo di pulsazioni

Questo livello è indicato anche per i weight-watchers, per i convalescenti e per coloro che non hanno fatto allenamento per lungo tempo. Si raccomandano tre periodi di training ininterrotto alla settimana, ognuno della durata di almeno mezz'ora. Un esercizio regolare migliora notevolmente la performance respiratoria e circolatoria del principiante, tanto da farti sentire presto molto più in forma.

**TRAINER:** 60-70 % del massimo di pulsazioni

Questo livello è perfetto per chi voglia migliorare il proprio fitness e mantenerlo in ottime condizioni. Uno sforzo ragionevole e bilanciato migliora notevolmente le funzioni cardiovascolari e respiratorie; il training deve durare per almeno 30 minuti e deve essere fatto come minimo tre volte alla settimana. Per migliorare ulteriormente la tua condizione fisica, puoi aumentare la frequenza o l'intensità dello sforzo, ma non entrambi allo stesso tempo!

**TRAINER ATTIVO:** 70-80 % del massimo di pulsazioni  
Le esercitazioni a questo livello vanno bene solo per coloro che hanno raggiunto una forma quasi perfetta e devono essere precedute da lunghi periodi di allenamenti "endurance".

## PANNELLO



### TASTI (SUL FIANCO)

Accensione  
Regolazione del volume  
Regolazione della luminosità

### TOUCH SCREEN

Questo monitor è dotato di touch screen, che si utilizza toccando delicatamente lo schermo con la punta delle dita. Non premere eccessivamente sullo schermo, poiché il touch screen potrebbe danneggiarsi. Non toccare lo schermo con oggetti appuntiti o affilati.

### SUPPORTI

Questo monitor è dotato di 2 porte USB (formato FAT/FAT32) per l'esecuzione di file multimediali. I tipi di file supportati sono: MP3, AAC (MP4), Ogg Vorbis, WAV, MPEG-1, Ogg Theora, AVI, MKV, Ogg e MOV. La riproduzione di file protetti da DRM non è supportata.

È inoltre presente un connettore per iPod/iPhone (a 30 pin), che può collegarsi alla maggior parte dei dispositivi Apple. È possibile utilizzare il pulsante Media per scorrere e riprodurre la musica presente su un iPod/iPhone. Tramite questa connessione non è possibile riprodurre dei video. È possibile accedere ai file musicali del vostro iPod / iPhone nella cartella user / Apple.

Nota: questo monitor offre la possibilità di collegare un iPod/iPhone; Tunturi non ha alcuna responsabilità su eventuali danni causati all'iPod/iPhone a seguito del collegamento hardware e software.

### TASTI FUNZIONE SU SCHERMO

#### 1. TRAINING

Utilizzare il pulsante TRAINING per accedere al menu TRAINING. Nel menu TRAINING sono disponibili i seguenti programmi di allenamento: QUICK START, MANUAL, TARGET HR, TARGET EFFORT, PROGRAMS, T-RIDE, T-ROAD, T-MUSIC, OWN TRAINING e FITNESS TEST.

#### 2. USER

Utilizzare il pulsante USER per accedere al menu USER. Nel menu USER sono disponibili le seguenti funzioni: CREATE USER, SELECT/CHANGE USER, EDIT USER, DELETE USER, SETTINGS e USER LOG.

#### 3. INTERNET

Premere questo pulsante per navigare in Internet (solo se è disponibile una connessione wireless).

#### 4. E-BOOK READER

Premere questo pulsante per aprire il lettore di E-Book. Il monitor riconosce gli E-Book archiviati su una chiavetta USB. I formati che possono essere letti sono: ePub, FictionBook (fb2), Plucker, Open E-Book, Open Reader, PalmDoc, Psion Text, Mobipocket e solo testo.

#### 5. WI-FI SETTINGS

Attraverso questo pulsante si può configurare la propria connessione di rete. Consultare il capitolo INTERNET per maggiori dettagli.

#### 6. BACK/STOP

Utilizzare il pulsante BACK/STOP per ritornare al menu principale. Durante l'allenamento, è possibile arrestare o interrompere momentaneamente la sessione premendo il pulsante BACK/STOP.

#### 7. ZOOM

Consente di osservare il grafico del profilo durante l'allenamento. Premendo il tasto ZOOM è possibile ingrandire il grafico del profilo (2, 4, 8 e 16 volte). Questa funzione è ciclica, cioè dopo l'ingrandimento di

16 volte, premendo ancora una volta il tasto, il grafico torna al suo formato originario.

#### 8. KEYBOARD

Premere questo pulsante per mostrare o nascondere la tastiera integrata.

#### 9. MEDIA BUTTON

Premere questo pulsante per aprire il lettore multimediale. È possibile selezionare e riprodurre il contenuto della propria chiavetta USB. Il lettore rileva automaticamente i filmati (formato MPEG-1) e i file musicali (formato MP3, WMV, WAV)

#### DISPLAY

Durante l'allenamento, è possibile visualizzare i seguenti valori nella parte sinistra del display: tempo, distanza, consumo di calorie, sforzo, RPM, battito cardiaco e velocità.

## USO DEL PANNELLO ELETTRONICO

### Attivazione

Il pannello si attiva collegando il cavo di alimentazione alla presa di corrente e poi premendo il tasto di accensione sul fianco del monitor. A questo punto, il display visualizza il Menu TRAINING.

### Modalità screensaver

Il pannello entra automaticamente in modalità screensaver dopo 5 minuti di non-uso o se non si pedala per 5 minuti. Toccare lo schermo per riattivare il monitor.

### Spegnimento

Per spegnere il dispositivo, tenere premuto il tasto di accensione sul fianco del monitor per alcuni secondi, poi disconnettere il cavo di alimentazione dal dispositivo.

Si riattiva operando l'interfaccia, l'interfaccia salva per 5 minuti i valori dell'allenamento interrotto, dopo di che li azzerà.

Sul display vengono visualizzati alcuni consigli, preceduti dalla lettera i su sfondo bianco. È possibile rimuovere questi messaggi dal display usando il cursore.

### Menu USER

Per accedere al menu USER premere il pulsante USER. Raccomandiamo di selezionare il codice utente e di inserire i propri dati personali: questi dati vengono utilizzati dall'attrezzo per calcolare, per esempio, il consumo calorico dettagliato dell'utente. Inoltre, sarà importante selezionare le unità di misura desiderate e verificare tutti i parametri di funzionamento. Se si seleziona un nome utente, è possibile salvare la sessione di allenamento e visualizzare durante l'allenamento i livelli personali in diversi colori in base al proprio battito cardiaco. Il nome utente creato o già esistente viene visualizzato durante l'allenamento nell'angolo in alto a destra del display. È possibile tuttavia eseguire l'allenamento senza un nome utente. In tal caso, non viene visualizzato il nome utente nell'angolo in alto a destra del display e per la sessione di allenamento verranno utilizzate le impostazioni predefinite (45 anni, 70 kg, maschio). È possibile salvare i dati di al massimo 20 utenti diversi.

 **IMPORTANTE!** Se si desidera visualizzare le sessioni di allenamento personali salvate in USER LOG, è


necessario selezionare sempre il proprio nome utente. È possibile inoltre selezionare un nome utente durante la sessione di allenamento premendo il pulsante USER e selezionando il proprio nome utente. L'allenamento non viene interrotto. Dopo aver selezionato il nome utente, è possibile ritornare ai dati di allenamento premendo il pulsante BACK/STOP.

 **IMPORTANTE!** Se si desidera salvare la sessione di allenamento, è necessario selezionare un nome utente.

### CREATE USER

Creazione di un utente:

1. Premere il pulsante USER. Viene visualizzato il menu USER.
2. Selezionare CREATE USER scorrendo l'elenco. Confermare la selezione premendo la barra di selezione.
3. Selezionare una lingua scorrendo l'elenco, quindi confermare la voce premendo la barra di selezione.
4. Inserire il nome con la tastiera e confermare con Invio.
5. Selezionare le unità di misura desiderate. (Metric 1 (kg, km, kcal), Metric 2 (kg, km, kJ) o le unità anglosassoni corrispondenti Imperial 1 (lb, mi, kcal), Imperial 2 (lb, mi, kJ)). Selezionare una voce scorrendo l'elenco, quindi confermarla premendo la barra di selezione. Viene visualizzata automaticamente l'impostazione successiva.
6. Selezionare il display di riferimento per i valori impostati. COUNT DOWN consente di visualizzare i valori in senso decrescente a partire dal valore di riferimento verso lo zero. COUNT UP consente di visualizzare i valori in senso crescente verso il valore di riferimento. Confermare la selezione premendo la barra di selezione. Viene visualizzata l'impostazione successiva.
7. Selezionare il sesso scorrendo l'elenco. Confermare la selezione.
8. Impostare l'età usando il cursore. Confermare la selezione.
9. Impostare l'altezza. Confermare la selezione.
10. Impostare il peso. Confermare la selezione.
11. Impostare il battito cardiaco minimo. Il pannello calcola una stima del battito cardiaco massimo mediante la formula  $220 - \text{età}$ . Se si conosce l'esatto battito cardiaco massimo, è possibile regolare quello stimato fornito dal pannello.
12. Impostare la soglia anaerobica. L'attrezzo utilizza il battito cardiaco massimo per effettuare una stima della soglia anaerobica (80% del battito cardiaco massimo). Se si conosce l'esatta soglia anaerobica, è possibile regolare quella stimata fornita dal pannello.
13. Impostare la soglia aerobica. L'attrezzo utilizza il battito cardiaco massimo per effettuare una stima della soglia anaerobica (60% del battito cardiaco massimo). Se si conosce l'esatta soglia aerobica, è possibile regolare quella stimata fornita dal pannello.

 **IMPORTANTE!** Il pannello è in grado di memorizzare contemporaneamente fino a 20 nomi utente.

### SELECT/CHANGE USER

Dopo aver creato un nome utente, selezionarlo all'inizio dell'allenamento tramite il pulsante SELECT/CHANGE USER, quindi confermarlo premendo la barra di selezione.

### EDIT USER

Selezionare EDIT USER, per modificare i dati utente.

## DELETE USER

Selezionare DELETE USER per cancellare l'utente attualmente selezionato.

## SETTINGS

Selezionare SETTINGS per aggiornare la versione del firmware del pannello, regolare il contrasto del display, visualizzare i valori totali dell'attrezzo e attivare/disattivare il tono dei pulsanti.

## USER LOG

Selezionare USER LOG per visualizzare i dati di allenamento dell'utente selezionato. È possibile visualizzare i dati dell'ultima sessione di allenamento o un riepilogo di tutte le sessioni dell'utente. Per uscire dalla schermata dei dati di allenamento, premere BACK/STOP.

## MENU TRAINING

Per accedere al menu TRAINING premere il pulsante TRAINING. Nel menu TRAINING è possibile selezionare una delle seguenti sessioni di allenamento scorrendo l'elenco e poi premendo la barra di selezione.

## QUICK START

Con questa selezione è possibile iniziare subito il programma di allenamento MANUAL senza altre impostazioni utente.

1. Selezionare QUICK START. Confermare la selezione premendo la barra di selezione e avviare l'allenamento iniziando a pedalare.
2. È possibile aumentare o diminuire la resistenza (1-58 Nm) utilizzando il cursore sulla destra.
3. Per interrompere l'allenamento, premere il pulsante BACK/STOP. A questo punto, è possibile interrompere definitivamente la sessione premendo EXIT, salvare la sessione selezionando SAVE AND EXIT o continuare l'allenamento premendo CONTINUE.

## MANUAL

Durante l'allenamento, la funzione MANUAL consente di cambiare il livello di sforzo tramite il cursore. La funzione MANUAL permette di cambiare il carico agendo sui bottoni con freccia in alto ed in basso durante l'allenamento.

1. Selezionare MANUAL.
2. Utilizzando il cursore, scegliere i valori di riferimento per la sessione: tempo, distanza o consumo di calorie. Confermare la selezione premendo il pulsante di selezione.
3. Impostare i valori di riferimento per la sessione utilizzando il cursore: tempo (10-180 minuti), distanza (3-100 km) o consumo di calorie (50-2000 kcal). Confermare la selezione premendo il pulsante di selezione.
4. Avviare l'allenamento iniziando a pedalare. È possibile aumentare o diminuire la resistenza (1-58 Nm) utilizzando il cursore. Durante l'allenamento, è possibile visualizzare la resistenza o il battito cardiaco utilizzando il pulsante nella parte in basso dello schermo.
5. Alla fine dell'allenamento, il pannello emetterà un segnale acustico. Nonostante questo, è possibile continuare regolarmente l'allenamento.
6. Per interrompere l'allenamento, premere il pulsante BACK/STOP. A questo punto, è possibile interrompere definitivamente la sessione premendo EXIT, salvare la sessione selezionando SAVE AND EXIT o continuare

l'allenamento premendo CONTINUE.

## PROGRAMMA A PULSAZIONE COSTANTE (TARGET HR)

Ritmo cardiaco al quale volete allenarvi e l'attrezzo regolerà la resistenza in modo da farvi mantenere questo valore. Se il battito tende a salire, il carico diminuirà e viceversa. Il valore impostato può anche essere cambiato durante la seduta. E' raccomandabile usare il sistema di rilevazione telemetrico.

1. Selezionare TARGET HR.
2. Impostare il livello di battito cardiaco (80-220) per la sessione di allenamento utilizzando il cursore. Confermare la selezione.
3. Utilizzando il cursore, scegliere la durata di riferimento per la sessione misurata in tempo, distanza o consumo di calorie. Confermare la selezione premendo il pulsante di selezione.
4. Impostare i valori di riferimento per la sessione utilizzando il cursore: tempo (10-180 minuti), distanza (3-100 km) o consumo di calorie (200-8000 kcal). Confermare la selezione premendo il pulsante di selezione.
5. Avviare l'allenamento iniziando a pedalare. Utilizzando il cursore, è possibile modificare il livello di battito cardiaco (80-220). Durante l'allenamento, è possibile visualizzare la resistenza o il battito cardiaco utilizzando il pulsante nella parte in basso dello schermo.
6. Alla fine dell'allenamento, il pannello emetterà un segnale acustico. Nonostante questo, è possibile continuare regolarmente l'allenamento.
7. Per interrompere l'allenamento, premere il pulsante BACK/STOP. A questo punto, è possibile interrompere definitivamente la sessione premendo EXIT, salvare la sessione selezionando SAVE AND EXIT o continuare l'allenamento premendo CONTINUE.

## CONTROLLO WATT

Selezionando il programma WATT CONTROL, è possibile impostare i valori di sforzo (in watt) desiderati, ad esempio il carico durante la pedalata è indipendente dalle rotazioni del pedale. Il valore di sforzo impostato può essere modificato durante la seduta.

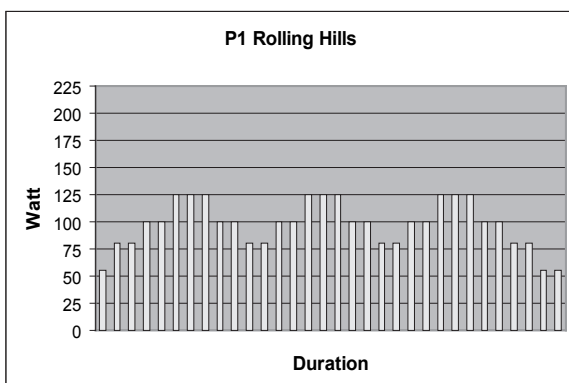
1. Selezionare WATT CONTROL.
2. Utilizzando il cursore, impostare il livello di sforzo (20-600 W) per la sessione di allenamento. Confermare la selezione premendo il pulsante di selezione.
3. Scegliere la durata di riferimento per la sessione misurata in tempo, distanza o consumo di calorie. Confermare la selezione.
4. Impostare i valori di riferimento per la sessione : tempo (10-180 minuti), distanza (3-100 km) o consumo di calorie (200-8000 kcal). Confermare la selezione.
5. Avviare l'allenamento iniziando a pedalare. È possibile aumentare o diminuire la resistenza (20-600 W) utilizzando il cursore. Durante l'allenamento, è possibile visualizzare lo sforzo o il battito cardiaco.
6. Alla fine dell'allenamento, il pannello emetterà un segnale acustico. Nonostante questo, è possibile continuare regolarmente l'allenamento.
7. Per interrompere l'allenamento, premere il pulsante BACK/STOP. A questo punto, è possibile interrompere definitivamente la sessione premendo EXIT, salvare la sessione selezionando SAVE AND EXIT o continuare l'allenamento premendo CONTINUE.

## PROGRAMS (PROFILI DI ESERCIZIO PREIMPOSTATI)

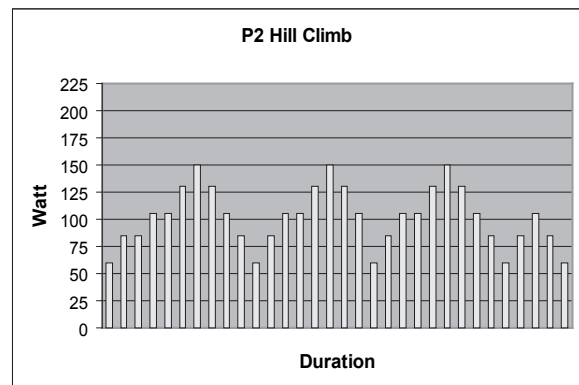
La forma di esercizio che la funzione PROGRAMS permette è quella basata su esercizi individuali, separati o profili di esercizio. Il tasto PROGRAMS ti permette all'editing dei profili di esercizio preprogrammati, nei quali il livello di resistenza varia in maniera predeterminata.

1. Selezionare PROGRAMS.
2. Selezionare un programma (1-10) usando l'elenco e premendo la barra di selezione. I profili P1-P5 sono programmi per il controllo dello sforzo mentre i profili P6-P10 sono programmi che richiedono la misurazione del battito cardiaco. Confermare la selezione premendo la manopola.
3. Impostare la durata di riferimento per la sessione misurata in tempo o distanza. Confermare la selezione.
4. Impostare i valori di riferimento per la sessione: tempo (10-180 minuti) o distanza (3-100 km). Confermare la selezione.
5. Avviare il programma iniziando a pedalare. È possibile aumentare o diminuire la resistenza utilizzando il cursore. Durante l'allenamento, è possibile visualizzare lo sforzo o il battito cardiaco. Per visualizzare il battito cardiaco, è necessario che venga misurato.
6. Alla fine dell'allenamento, il pannello emetterà un segnale acustico. Nonostante questo, è possibile continuare regolarmente l'allenamento.
7. Per interrompere l'allenamento, premere il pulsante BACK/STOP. A questo punto, è possibile interrompere definitivamente la sessione premendo EXIT, salvare la sessione selezionando SAVE AND EXIT o continuare l'allenamento premendo CONTINUE.

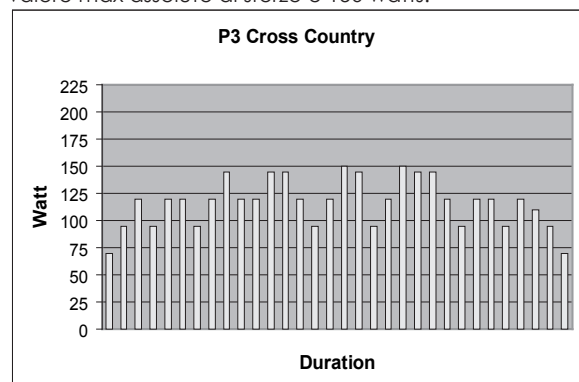
**PROFILO P1.** Profilo carico con tre salite per migliorare l'assimilazione di ossigeno. Le salite abbastanza lunghe, ma con valore preimpostato, questo profilo è per i principianti. Con valore preimpostato, il sforzo medio è 98 watts, valore max assoluto di sforzo è 125 watts.



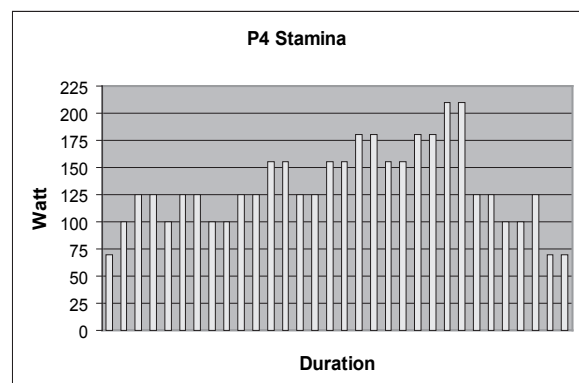
**PROFILO P2.** Profilo carico con tre salite per migliorare l'assimilazione di ossigeno. Le salite sono relativamente brevi e quindi questo profilo è indicato per i principianti. Con valore preimpostato, il sforzo medio è 102 watts, valore max assoluto di sforzo è 150 watts.



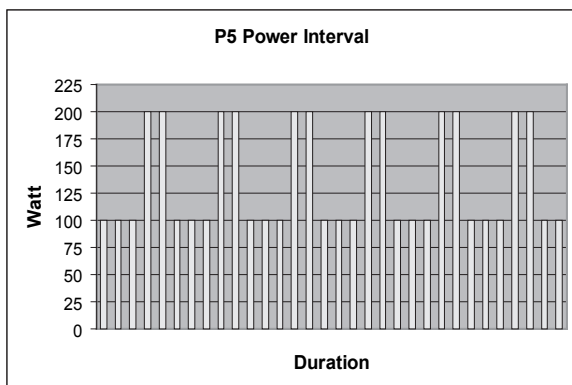
**PROFILO P3.** Profilo carico versatile per migliorare la velocità. Le variazioni di carico sono irregolari e le salite relativamente brevi. Questo profilo è indicato per tutti. Con valore preimpostato, il sforzo medio è 117 watts, valore max assoluto di sforzo è 150 watts.



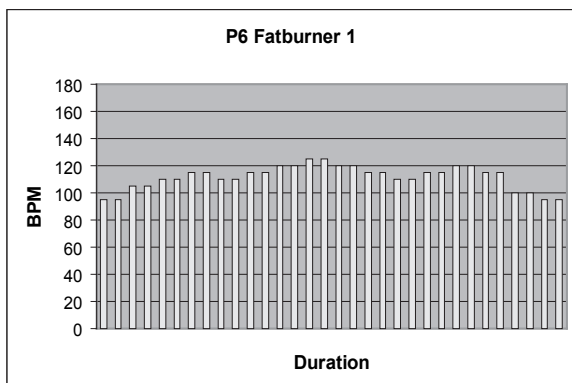
**PROFILO P4.** Profilo carico in salita per migliorare la resistenza. Le salite sono particolarmente lunghe, si protraggono fino alla fine del profilo e sono in progressione una più lunga dell'altra. Questo profilo è particolarmente indicato soprattutto per chi gode di un'ottima condizione fisica. Con valore preimpostato, il sforzo medio è 133 watts, valore max assoluto di sforzo è 210 watts.



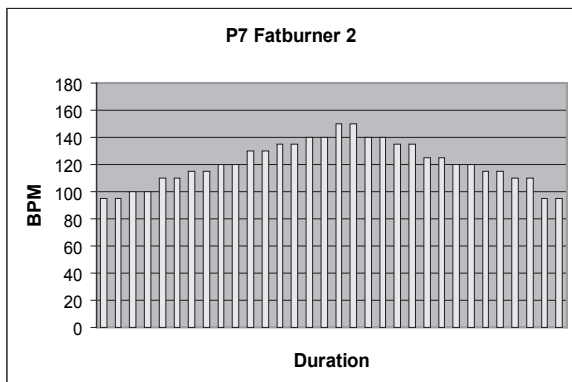
**PROFILO P5.** Profilo intervallo a variazioni costanti del carico, dove è chiara la differenza tra i livelli massimi e quelli di base. I valori preimpostati di questo programma, prevedono in carico di base di 138 W e massimo di 200 W. Questo profilo permette di scalare separatamente i livelli di base e massimi.



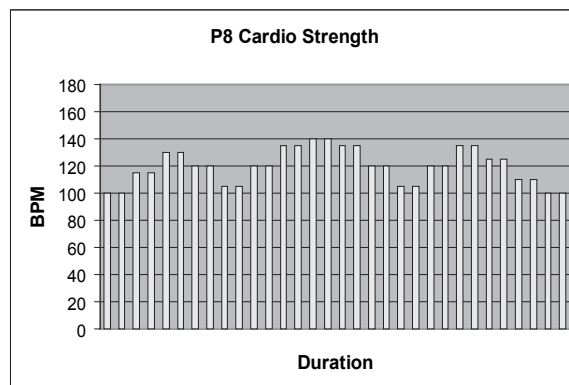
**PROFILO P6.** Profilo frequenza cardiaca con tre salite per migliorare l'assimilazione di ossigeno. Le salite abbastanza lunghe. Ciononostante questo profilo è indicato anche per i principianti. Con valore preimpostato, la pulsazione medio è 112, il valore max di pulsazioni è 125.



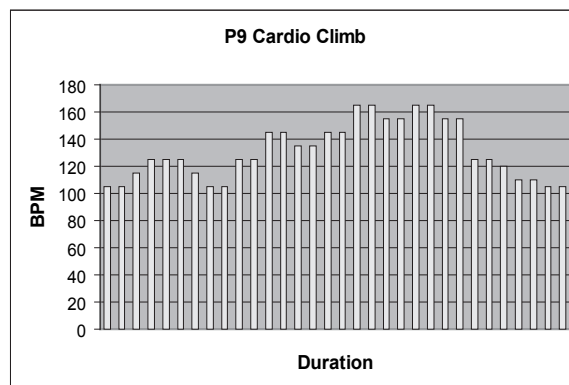
**PROFILO P7.** Profilo salita con controllo della frequenza cardiaca. In questo profilo la frequenza cardiaca viene fatta aumentare progressivamente fino a metà dell'allenamento e poi ridotta in modo costante. Questo profilo è particolarmente indicato anche per i principianti. Con valore preimpostato, la pulsazione medio è 121, il valore max di pulsazioni è 150.



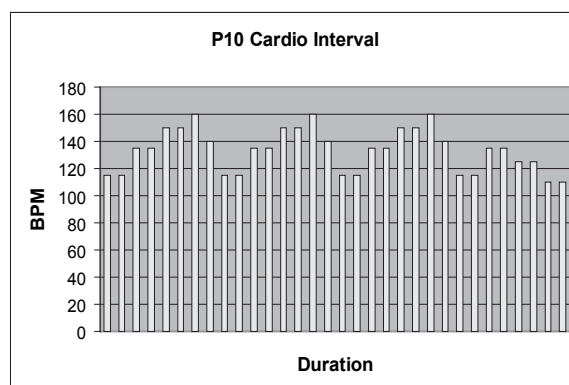
**PROFILO P8.** Profilo frequenza cardiaca con tre salite per migliorare la resistenza. Le salite sono abbastanza lunghe. Ciononostante il profilo permette di mantenere costante la frequenza cardiaca. Questo profilo è indicato per tutti. Con valore preimpostato, la pulsazione medio è 120, il valore max di pulsazioni è 140.



**PROFILO P9.** Profilo frequenza cardiaca in salita per migliorare la resistenza. Le salite sono particolarmente lunghe, si protraggono fino alla fine del profilo e sono in progressione una più lunga dell'altra. Questo profilo è particolarmente indicato soprattutto per chi gode di un'ottima condizione fisica. Con valore preimpostato, la pulsazione medio è 131, il valore max di pulsazioni è 170.



**PROFILO P10.** Profilo frequenza cardiaca con tre salite e migliorare l'assimilazione di ossigeno. Salite abbastanza lunghe seguite da sezioni pianeggianti per il recupero. Questo profilo è particolarmente indicato soprattutto per chi gode di un'ottima condizione fisica. Con valore preimpostato, la pulsazione medio è 133, il valore max di pulsazioni è 160.



## T-RIDE

Il programma T-RIDE TRAINING simula la pedalata su un terreno normale. Durante l'allenamento, è possibile modificare gli attrezzi tramite il cursore e visualizzare il profilo di altitudine.

1. Selezionare T-RIDE.
2. Selezionare il terreno e confermare la selezione.
3. Impostare il punto di partenza della sessione toccando il profilo, poi confermare premendo il pulsante.
4. Impostare il punto di arrivo della sessione toccando il profilo, poi confermare premendo il pulsante.
5. Avviare l'allenamento iniziando a pedalare. Utilizzando il cursore, è possibile modificare gli attrezzi (1-8). Durante l'allenamento, è possibile visualizzare il profilo di altitudine o il battito cardiaco. Per visualizzare il battito cardiaco, è necessario che venga misurato.
6. Dopo aver completato il percorso, viene emesso un segnale acustico e la sessione di allenamento viene terminata.
7. Per interrompere l'allenamento, premere il pulsante BACK/STOP. A questo punto, è possibile interrompere definitivamente la sessione premendo EXIT, salvare la sessione selezionando SAVE AND EXIT o continuare l'allenamento premendo CONTINUE.

## T-ROAD

**! IMPORTANTE:** è possibile eseguire una sessione di allenamento T-ROAD solo quando la memory stick è inserita nel pannello. T-ROAD è simile a T-RIDE, con la differenza che il primo programma consente di visualizzare l'avanzamento su un video. Durante l'allenamento, è possibile visualizzare il profilo di altitudine o il video utilizzando la manopola di selezione.

## T-MUSIC

**! IMPORTANT:** è possibile eseguire una sessione di allenamento T-MUSIC solo se la memory stick è inserita nel pannello. I programmi T-MUSIC sono controllati tramite battito cardiaco. Durante l'allenamento, viene modificato il ritmo musicale in base al livello di sforzo della sessione. La durata del programma T-MUSIC è di 40 minuti. Durante l'allenamento non è possibile modificare i valori selezionati per il battito cardiaco. Questo programma richiede la rilevazione del vostro ritmo cardiaco.

1. Selezionare T-MUSIC.
2. Selezionare un programma (1-3) scorrendo l'elenco. Confermare la selezione premendo la barra di selezione.
3. Avviare il programma iniziando a pedalare. Durante l'allenamento, è possibile visualizzare lo sforzo o il battito cardiaco utilizzando il pulsante nella parte bassa dello schermo.
4. Dopo 40 minuti, viene emesso un segnale acustico e la sessione di allenamento viene terminata.
5. Per interrompere l'allenamento, premere il pulsante BACK/STOP. A questo punto, è possibile interrompere definitivamente la sessione premendo EXIT, salvare la sessione selezionando SAVE AND EXIT o continuare l'allenamento premendo CONTINUE.

## ALLENAMENTO PERSONALE

Il pannello consente di creare e memorizzare fino a 100 programmi di allenamento.

### MEMORIZZAZIONE DI UN PROGRAMMA

1. Per terminare la sessione di allenamento, premere BACK/STOP.
2. Selezionare SAVE AND EXIT e confermare la selezione.
3. Inserire un nome per la sessione e premere Invio.

**! IMPORTANTE!** È possibile salvare programmi di durata non superiore a 10 minuti.

**! IMPORTANTE!** Per salvare una sessione di allenamento, è necessario selezionare un nome utente.

## USO DEI PROGRAMMI MEMORIZZATI

1. Selezionare OWN TRAINING.
2. Nell'elenco selezionare una sessione di allenamento.
3. Selezionare il metodo di esecuzione desiderato:
  - A) Ripeti = esegue il programma così come è stato memorizzato.
  - B) Imposta = modifica la durata del programma memorizzato, prima dell'inizio dell'esercizio.
  - C) Corsa = per competere contro il risultato di allenamento memorizzato.

NOTA BENE! La funzione gara può essere utilizzata solo se il profilo del programma è stato creato in modalità manuale. In questo tipo di profili, la resistenza è indicata come coppia costante (Nm).

4. Confermare la selezione premendo il pulsante di selezione.
  - A) Ripeti = iniziare l'esercizio, pedalando. È possibile scalare il programma utilizzando il cursore.
  - B) Imposta = modifica la durata del programma con il cursore (impostare la durata tra 10 e 180 minuti). Iniziare l'esercizio pedalando. È possibile scalare il programma utilizzando il cursore.
  - C) Race = scorrere l'elenco per scegliere la modalità di scorsa (tempo: la distanza percorsa in un determinato arco di tempo o distanza: la velocità con cui si percorre una determinata distanza) e confermarla tramite il pulsante di selezione. Sul display viene visualizzato il programma precedentemente memorizzato. Per avviare la corsa, iniziare a pedalare. La linea sul display indica la posizione dell'utente rispetto all'allenamento di riferimento, che corrisponde all'ultima sessione salvata mediante questo programma. Viene visualizzata anche la distanza rispetto all'ultima sessione salvata: l'ultima sessione salvata è indicata da una linea verticale blu, mentre l'avanzamento della corsa è indicato da una linea verticale nera.
5. Per interrompere l'allenamento, premere il pulsante BACK/STOP. A questo punto, è possibile interrompere definitivamente la sessione premendo EXIT, salvare la sessione selezionando SAVE AND EXIT o continuare l'allenamento premendo CONTINUE.

## FITNESS TEST

Il test della condizione fisica impostato nel pannello è a carico variabile. Il test inizia con un carico leggero che, in base alla selezione fatta, cresce gradatamente col passare del tempo. Questo tipo di test incrementale permette di verificare la condizione fisica in modo affidabile e senza ricorrere ai carichi massimi. Il test continuerà fino a quando la persona non avrà raggiunto la sua frequenza cardiaca target (85% della frequenza cardiaca massima). Il test richiede l'uso del cardiofrequenzimetro. Durante il test, il pannello monitora le variazioni di frequenza cardiaca e, sulla base di queste, calcola la capacità massima polmonare della persona interessata. Proprio attraverso la capacità polmonare massima, è possibile valutare la condizione fisica della persona. Dopo aver eseguito il test, vengono visualizzate varie informazioni sulla forma fisica: una descrizione e un valore numerico (ml/kg/min).



## PREPARAZIONE AL TEST

1. Assicurarsi che i dati associati al nome utente siano aggiornati. Il pannello utilizza i dati dell'utente come base per il test di controllo.
2. Selezionare FITNESS TEST.
3. Scorrendo l'elenco, scegliere la categoria più indicata per la propria forma fisica.  
A) inattivo = non pratica attività sportiva, condizione fisica insufficiente.  
B) attivo = pratica attività sportiva, condizione fisica media o buona.  
C) atletico = pratica attività sportiva, condizione fisica buona o ottima.
4. Il pannello visualizza il tipo di test relativo alle diverse classi di condizione fisica.  
A) intervallo tempo = durata dei livelli di carico durante il test.  
B) intervallo watts = carico del livello (in Watt); il test prevede diversi livelli.  
C) primo stadio = livello di inizio del test.
5. Confermare la selezione premendo il pulsante di selezione.
6. Se necessario, è possibile modificare il valore di riferimento per il battito cardiaco utilizzando il cursore. Confermare le impostazioni utilizzando il pulsante di selezione.
7. Sul display viene indicato quando è possibile interrompere il test dopo aver raggiunto il battito cardiaco di riferimento. Avviare il test premendo il pulsante.

## ESECUZIONE DEL TEST

1. Il pannello visualizza il profilo del test selezionato. Iniziare il test, pedalando. Il livello massimo della frequenza cardiaca raggiunta viene evidenziata con una curva rossa, che viene tracciata dal pannello durante il test. Il valore target è invece evidenziato dalla curva tracciata con una riga tratteggiata rossa.
2. Quando la frequenza cardiaca raggiunge il valore target, il pannello emetterà un segnale acustico ed evidenzierà un messaggio. Raccomandiamo di finire il test a questo livello se la vostra condizione fisica non vi permette di continuare. Se il valore target è stato impostato correttamente (cioè se avete inserito un valore massimo di frequenza cardiaca vicino a quello reale), la continuazione del test non inciderà più sull'accuratezza della misurazione. Se si sopravvaluta il proprio battito cardiaco massimo, il risultato del test verrà calcolato in eccesso. Allo stesso modo, se si sottovaluta il proprio battito cardiaco massimo, il risultato del test verrà calcolato in difetto.
3. Per interrompere il test una volta raggiunto il battito cardiaco di riferimento, premere il pulsante BACK/STOP o smettere di pedalare. In questo caso, il display visualizza la schermata con i risultati finali.  
A) condizione aerobica = valutazione della condizione fisica all'interno dei livelli di carico maggiormente utilizzati. Questo risultato indica al meglio il livello della condizione fisica.  
B) Valore MET = valore che indica la crescita potenziale della capacità polmonare sotto sforzo rispetto alla situazione di riposo assoluto.  
C) ml/kg/min = valore che indica la capacità polmonare in millilitri al minuto di ossigeno nell'organismo per chilo corporeo.  
D) l/min = valore che indica la capacità polmonare in litri al minuto di ossigeno. La differenza tra il valore

precedente sta nel fatto che in quest'ultima non viene considerato il peso corporeo.

E) Wmax = stima del proprio livello massimo di rendimento in Watt.

F) W/kg = rapporto tra il livello massimo di rendimento ed il peso corporeo.

UOMINI / CAPACITÀ MASSIMA DI IMMISSIONE DI OSSIGENO (VO2MAX)							
1 = MOLTO BASSO, 7 = OTTIMO							
ETÀ	1	2	3	4	5	6	7
18-19	<33	33-38	39-44	45-51	52-57	58-63	>63
20-24	<32	32-37	38-43	44-50	51-56	57-62	>62
25-29	<31	31-35	36-42	43-48	49-53	54-59	>59
30-34	<29	29-34	35-40	41-45	46-51	52-56	>56
35-39	<28	28-32	33-38	39-43	44-48	49-54	>54
40-44	<26	26-31	32-35	36-41	42-46	47-51	>51
45-49	<25	25-29	30-34	35-39	40-43	44-48	>48
50-54	<24	24-27	28-32	33-36	37-41	42-46	>46
55-59	<22	22-26	27-30	31-34	35-39	40-43	>43
60-65	<21	21-24	25-28	29-32	33-36	37-40	>40
60-65	<21	21-24	25-28	29-32	33-36	37-40	>40

DONNE / CAPACITÀ MASSIMA DI IMMISSIONE DI OSSIGENO (VO2MAX)							
1 = MOLTO BASSO, 7 = OTTIMO							
ETÀ	1	2	3	4	5	6	7
18-19	<28	28-32	33-37	38-42	43-47	48-52	>52
20-24	<27	27-31	32-36	37-41	42-46	47-51	>51
25-29	<26	26-30	31-35	36-40	41-44	45-49	>49
30-34	<25	25-29	30-33	34-37	38-42	43-46	>46
35-39	<24	24-27	28-31	32-35	36-40	41-44	>44
40-44	<22	22-25	26-29	30-33	34-37	38-41	>41
45-49	<21	21-23	24-27	28-31	32-35	36-38	>38
50-54	<19	19-22	23-25	26-29	30-32	33-36	>36
55-59	<18	18-20	21-23	24-27	28-30	31-33	>33
60-65	<16	16-18	19-21	22-24	25-27	28-30	>30
60-65	<16	16-18	19-21	22-24	25-27	28-30	>30

## MEMORY STICK

La memory stick contiene tutti i programmi T-ROAD e T-MUSIC e alcuni programmi T-RIDE.

IMPORTANTE: i programmi contenuti nella memory stick, possono essere eseguiti solo inserendo la memory stick nel connettore del pannello.

## INTERNET

Configurazione di una connessione a Internet

1. Premere il pulsante Wi-Fi per impostare il Wi-Fi.

2. Selezionare una rete esistente dall'elenco o scegliere "Manual setup" per configurare una nuova connessione di rete. Nota: il monitor non supporta reti wireless con SSID nascosto.

3. Inserire il nome della rete.

4. Selezionare un tipo di sicurezza (per informazioni sui tipi di sicurezza, fare riferimento al proprio punto di accesso wireless).

5. Inserire il codice di sicurezza (password). Fare

attenzione: le password fanno distinzione tra caratteri maiuscoli e minuscoli.

6. Scegliere la modalità di connessione: manuale o automatica.

In caso di problemi di connessione, rivolgersi al proprio Internet provider per i dettagli necessari.

**!** **AVVERTENZA** Verificare il proprio contratto per l'accesso a Internet. A seconda del tipo di contratto, è possibile che si debba pagare sulla base della quantità di dati trasferiti o sulla base del tempo di utilizzo. Se si sceglie la connessione automatica, verrà creata una connessione costante che potrebbe portare a un'elevata mole di dati. Scegliere la connessione manuale se si vuole decidere manualmente quando connettersi. Scollegare il Wi-Fi quando si conclude l'allenamento, poiché nella modalità screensaver la connessione resta attiva. Tunturi non ha alcuna responsabilità per gli eventuali costi sostenuti a causa della connessione Internet: si limita a fornire il mezzo per connettersi alle reti, indipendentemente dagli eventuali costi.

### Utilizzo di Internet

Il browser del monitor può essere usato solo per navigare in Internet. La mole di file che può essere scaricata e usata sul monitor è limitata (circa 80 Mb). Possono essere usati solo i file multimediali.

Questo browser non è compatibile con i filmati Flash e non può visualizzare contenuti Flash.

### Esonero da responsabilità

L'uso di Internet (navigazione e download) e di dispositivi esterni (USB/iPod) comporta alcuni rischi per il monitor. Tunturi non si assume alcuna responsabilità per eventuali danni causati dall'uso di Internet e di dispositivi esterni, né per eventuali virus, spyware o malware derivanti da tale utilizzo. Usare sempre e soltanto siti web affidabili e verificare l'assenza di virus/spyware/malware nei dispositivi esterni prima di usarli con il monitor.

### AGGIORNAMENTO DEL SOFTWARE

Ci impegniamo continuamente nel migliorare la nostra qualità. Consultare regolarmente il nostro sito web [www.tunturi.com](http://www.tunturi.com) per sapere se sono disponibili aggiornamenti software utili a migliorare il funzionamento e le prestazioni del monitor.

## MANUTENZIONE

Questo l'attrezzo Tunturi richiedono pochissima manutenzione. Comunque, di tanto in tanto, controlla che tutte le viti e i dadi siano stretti a sufficienza.

Dopo ogni seduta di allenamento, asciugare sempre tutte le parti dell'attrezzo con un panno soffice e assorbente. Non fare uso di solventi.

Non rimuovere mai l'involucro di protezione dell'attrezzo.

Il freno elettromagnetico crea un campo magnetico molto forte, in grado di danneggiare il meccanismo di un orologio o i dati di identificazione apposti sui nastri magnetici delle carte di credito o bank-card, qualora tali oggetti vengano a trovarsi a contatto immediato con i magneti. Non cercare mai di staccare o rimuovere il freno elettromagnetico!

Il freno elettromagnetico è basato su resistenza elettromagnetica; il livello ed i cambiamenti di resistenza elettromagneticamente sono misurati ed indicati come watt sullo schermo. Di conseguenza il vostro ergometro Tunturi non deve essere ricalibrato una volta montato ed usato o controllato seguendo le istruzioni di questa guida.

## DISTURBI DURANTE L'USO

**ATTENZIONE!** Nonostante un continuo controllo della qualità, l'attrezzatura potrebbe talvolta presentare difetti e malfunzionamenti, causati da qualche singolo componente. Nella maggior parte dei casi, non c'è bisogno di mettersi a far riparare tutta l'attrezzatura, ma generalmente basta sostituire il pezzo o la parte difettosa.

Se l'attrezzo non funziona bene durante l'uso o se si ha bisogno dei pezzi di ricambio, contatta il tuo rivenditore Tunturi indicando che cosa di tratta, le condizioni in cui la usi, la data di acquisto, il modello e il numero di serie del tuo attrezzo. Si raccomanda di utilizzare sempre pezzi di ricambio originali.

## TRASPORTO E IMMAGAZZINAGGIO

Cerca di seguire le seguenti istruzioni, per il trasporto e la rimozione della bicicletta, perché un sollevamento avvenuto nella maniera incorretta può provocarti danni alla schiena o può farti incorrere in altri incidenti:

Stacca sempre la corrente e toglie il cavo elettrico di collegamento, prima di incominciare a spostare l'attrezzo!

Lo spostamento dell'attrezzo può danneggiare alcuni tipi di pavimento, come per esempio il parquet. Raccomandiamo quindi di proteggere adeguatamente il pavimento.

Per prevenire eventuali difetti al funzionamento dell'attrezzo, devi conservarla, al riparo dalla polvere, in un posto asciutto, dove la temperatura sia quanto più possibile costante.

# DATI TECNICI


---

Lunghezza	99 cm
Larghezza	70 cm
Altezza	116 cm
Peso	46 kg

Il prodotto soddisfa ai criteri stabiliti dalle direttive EMC dell'Unione Europea, riguardanti la compatibilità elettromagnetica (89/336/CEE) e materiale elettrico destinato all'uso nell'ambito di determinati limiti di tensione (73/23/CEE). Pertanto il prodotto porta l'etichetta CE.

Il prodotto è in conformità con gli standards EN per la precisione e la sicurezza (Classe HA, EN-957, parti 1 e 5).

A causa di una politica volta a un continuo sviluppo del prodotto, la Tunturi si riserva il diritto di effettuare cambiamenti nelle caratteristiche degli attrezzi, senza darne relativo preavviso.

 **AVVERTENZA!** La garanzia non copre danni derivanti da inosservanza, nel montaggio, regolazione e manutenzione, delle istruzioni fornite nella presente guida. Le istruzioni per montaggio, uso e manutenzione della tua attrezzatura, devono essere seguite con molta cura. Non rispondiamo di cambi o modifiche non espressamente approvate da Accell Fitness.

**TI AUGURIAMO DI AVERE LA GIOIA DI FARE TANTI ALLENAMENTI, INSIEME AL TUO NUOVO AMICO TUNTURI!**

# INDICE

MONTAJE	60
AJUSTES	61
EJERCICIOS CON TUNTURI	62
CONTADOR	63
FUNCIONAMIENTO DEL INTERFAZ	64
MANTENIMIENTO	70
TRANSPORTE Y ALMACENAMIENTO	70
DATOS TECNICOS	70

## BIENVENIDO AL MUNDO TUNTURI DEL EJERCICIO

Su elección demuestra que Ud. realmente está dispuesto a invertir en su bienestar y en su condición física, y asimismo sabe apreciar la calidad y el estilo. Con el equipamiento de ejercicio Tunturi, Ud. ha elegido como compañero de entrenamiento un producto de alta calidad, seguro y motivador. Cualquiera sea su meta, puede estar seguro de que este equipo le acompañará hasta cumplirla. Encontrará información sobre el uso de su equipo de ejercicios y todo lo inherente a un entrenamiento eficiente en el sitio de Tunturi en Internet (WWW.TUNTURI.COM).

# INFORMACION Y PRECAUCIONES

Lea atentamente esta guía antes del montaje, uso o mantenimiento de su equipo de ejercicio. Mantenga esta guía en lugar seguro; le brindará hoy y en el futuro la información que necesite para usar y mantener su equipo. Siga siempre atentamente sus instrucciones.

## OBSERVACIONES SOBRE SU SALUD

- Antes de empezar a hacer cualquier ejercicio, consulte con un médico y hágase un chequeo.
- Si durante el ejercicio experimenta náuseas, mareos u otros síntomas anormales, pare inmediatamente y consulte con un médico.
- Para evitar agujetas y tirones musculares empiece el ejercicio calentando y termínelo poco a poco (pedaleando lentamente a menos resistencia). No olvide hacer ejercicios de estiramiento después de usar la máquina.

## OBSERVACIONES SOBRE ELEJERCICIO

- La máquina no se debe usar a la intemperie.
- Es una buena idea colocar la máquina sobre una base protectora. Coloque la máquina sobre una superficie dura y horizontal.
- Compruebe si el lugar donde hace el ejercicio tiene buena ventilación. Para evitar resfriados, evite las corrientes en el lugar del ejercicio.
- En entrenamiento, la máquina tolera una temperatura ambiente de entre +10°C y +35°C. La máquina también puede almacenarse a temperaturas de 15°C a +40°C. La humedad relativa ambiente nunca debe exceder el 90 %.

## OBSERVACIONES SOBRE LA MÁQUINA

- Si se deja a los niños usar la máquina, primero se los debe enseñar a usarla bien y después se les debe vigilar, teniendo en cuenta el desarrollo físico y mental del niño y su personalidad.
- Antes de empezar a usar la máquina, compruebe si todos sus mecanismos funcionan bien. No use la máquina si observa alguna anomalía.
- Esta máquina sólo debe ser utilizada por una persona cada vez.
- Agarre el manillar al subir o bajar de la máquina. No se ponga de pie sobre la estructura.
- Cuando haga ejercicio, lleve ropa y calzado adecuados.
- No se apoye nunca sobre la interfaz de usuario.
- Pulse las teclas con la punta del dedo, las uñas pueden dañar la membrana de las teclas.
- Mantenga las manos alejadas de las partes móviles de la máquina.
- Proteja el contador de la luz solar. Seque siempre la superficie del contador si caen unas gotas de transpiración sobre el contador.
- No intente hacer revisiones o ajustes de la máquina que no estén descritos en este Manual.
- El peso máximo de un usuario de esta máquina es de 150 kg.
- Encontrará información más detallada sobre la garantía de su equipo de ejercicio en el libro de garantía suministrado con el equipo. Por favor anótese que la garantía no cubre daños debidos a transportes o negligencias de ajuste o no seguir instrucciones de mantenimiento descritas en este manual!

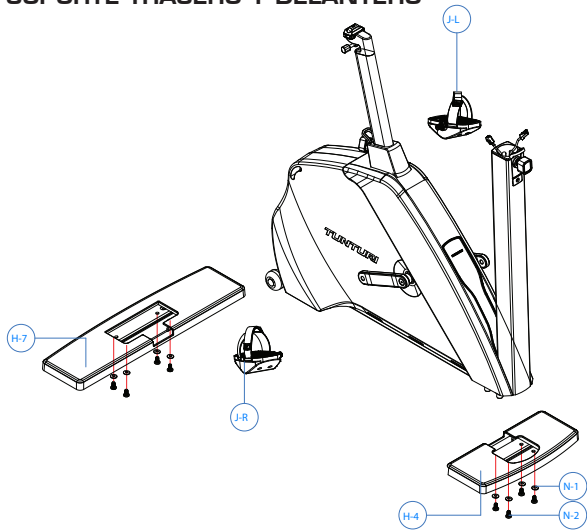
# MONTAJE

Compruebe si en el embalaje están todas las piezas:

1. Cuadro
2. Soporte trasero y delantero
3. Pedales (2 piezas)
4. Manillar
5. Contador
6. Transformador
7. Juego de herramientas (piezas han marcado con \* en la lista): se recomienda guardar las piezas de kit, por ejemplo, para eventuales reajustes del equipo.

Si advierte que en la entrega falta alguna pieza, tome contacto con su proveedor informando el modelo, el número de serie del equipo y el número de parte de la pieza faltante. En el reverso de esta guía encontrará la lista de piezas. El paquete incluye un saco de silicato para absorber la humedad durante el almacenamiento y transporte. Puede desecharlo una vez que haya abierto el paquete. Las direcciones derecha, izquierda, adelante y atrás se definen desde la posición de ejercicio. Es aconsejable que la instalación de la bicicleta la realicen dos adultos.

## SOPORTE TRASERO Y DELANTERO



Sujetando por el sillín, inclinar la bicicleta hacia atrás de modo que repose sobre las ruedas de transporte. Montar el soporte trasero desde abajo con los cuatro tornillos Allen y arandelas. Acoplar el soporte delantero al cuadro con cuatro tornillos y arandelas. Devolver la bicicleta a su posición erecta de modo que descansa sobre las patas de soporte.

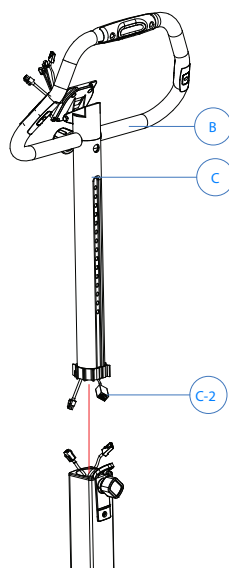
## PEDALES

Los pedales se distinguen por las marcas L (izquierdo) y R (derecho) en su eje. Fijar el pedal izquierdo a la biela del pedal izquierdo girándolo contra-reloj, y el pedal derecho a la biela del pedal derecho girándolo en el sentido del reloj. Fije las correas de los pedales empezando con el anclaje que está en el lado del aparato.

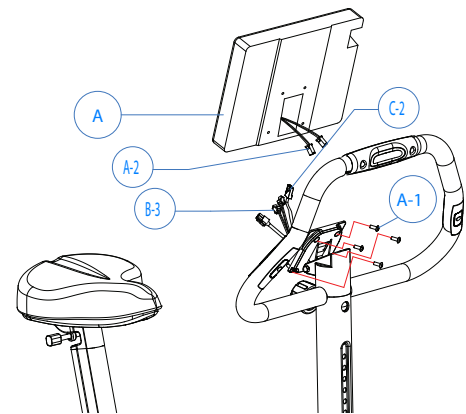
Haga pasar la correa a través del alza situada en el pedal y presione la correa en la apertura del saliente situado en el pedal. Sujete las correas al lateral exterior del pedal. Introduzca la correa a través de la hebilla de cierre, cerrándose entonces automáticamente. La longitud de la correa es graduable. Regule la longitud mediante la hebilla de cierre.

## MANILLAR

Acoplar el cable proveniente del tubo del cuadro al conector de la parte inferior del manillar. Compruebe si ha quedado bien sujeto, firando suavemente del cable. Abra la pieza de bloqueo del manillar girándola en sentido contrario a las agujas del reloj varias vueltas y firando después hacia fuera. Atornille el cable con cuidado dentro del tubo del cuadro. Introduzca el manillar en el tubo del cuadro delantero. Suelte la pieza de bloqueo una vez que el manillar se encuentre en el nivel adecuado. Asegúrese de que el manillar esté bloqueado. Apriete la pieza de bloqueo girándola en el sentido de las agujas del reloj.

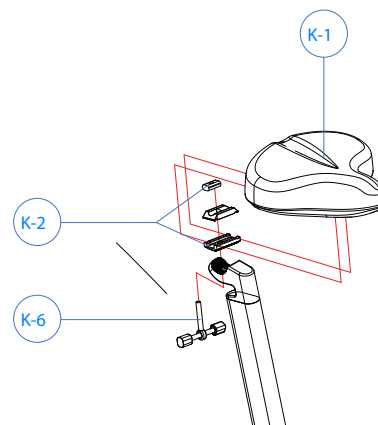


## CONTADOR



Enchufar los cables del manillar en los conectores correspondientes del contador. Insertar los cables conectados en el contador asegurándose de que no resultan dañados al montar el contador. Colocar el contador en posición en el extremo del tubo de soporte del manillar y montarlo con los 4 tornillos de sujeción.

## SILLÍN



Aflojar el tornillo de bloqueo del soporte del asiento y girar la palanca superior de bloqueo hasta que quede alineada con la máquina. Colocar el asiento en su posición en las ranuras de la palanca inferior de bloqueo. Girar la palanca superior de bloqueo hacia la parte de arriba de las guías del asiento y bloquear éste apretando el tornillo de bloqueo.

## CABLE DE CONEXIÓN

Conecte el transformador al conector que hay justo sobre el soporte trasero. Conecte después el cable del transformador a la corriente. Desenchufe siempre el aparato de ejercicio de la corriente y quite el cable del aparato inmediatamente después de usarlo. Asegúrese de que el cable no queda debajo del aparato.

## AJUSTES

### AJUSTE DEL SILLÍN

Póngalo a la altura precisa para Ud. La regla básica es que el arco del pie debe alcanzar el pedal en su punto más bajo con la pierna casi derecha. Fije el tornillo de traba. Sujetar el sillín con una mano y, con la otra, tirar del pomo de bloqueo hacia afuera de modo que el manillar pueda moverse libremente hacia arriba y

hacia abajo. Una vez alcanzada la altura deseada, soltar el pomo y el sillín se bloquea en su lugar. Hacer girar el pomo de bloqueo en el sentido del reloj para ajustarla.

**! NOTA!** Verifique siempre que la perilla de bloqueo esté adecuadamente ajustado antes de empezar el ejercicio.

Para ajustar la posición horizontal del sillín hacia adelante o hacia atrás, aflojar el sillín girando la palanca de bloqueo situada debajo de éste en el sentido contrario a las agujas del reloj. Ajustar el sillín en la posición deseada y apretar la palanca de bloqueo girándola en el sentido de las agujas del reloj.

### AJUSTE DEL MANILLAR

Aflojar el pomo situada en el frente del manillar y ajustar la posición del mismo hasta que sienta una posición de ejercicio confortable. Ajustar cuidadosamente el pomo. El diseño del manillar le permite hacer ejercicio con la espalda casi recta o con el cuerpo inclinado hacia delante. Pero incluso en esta última posición debe mantener la espalda recta.

Ajuste el manillar a la altura que desee aflojando el pomo de bloqueo situada en el tubo de soporte del manillar. Tire de le pomo de bloqueo hacia fuera para poder mover el manillar hacia arriba y abajo. Suelte el pomo una vez que el manillar se encuentre a la altura adecuada. El tubo de soporte del manillar se encajará entonces en su lugar haciendo "clic". Apriete el pomo de bloqueo girándola en el sentido de las agujas del reloj.

### AJUSTE DE LA INCLINACIÓN DEL CONTADOR

Establecer la inclinación del contador de modo que se ajuste a la altura y posición de ejercicio del usuario.

### AJUSTE DE LAS PATAS DE SOPORTE

Si el equipo no tiene la suficiente estabilidad, ajustar los tornillos situados bajo las patas de soporte según sea necesario.

## EJERCICIOS CON TUNTURI

Cuando Ud. no ha hecho ejercicios físicos por largo tiempo, debe chequear su condición y consultar a un médico si tiene más de cuarenta años, su condición física es deficiente, tiene alguna enfermedad crónica o problemas de salud, o tiene heridas o problemas musculares. Las personas con enfermedades cardíacas, respiratorias, o cualquier otro factor de riesgo, deben terminantemente hacerse chequear la condición física antes de comenzar el entrenamiento. Para ejercicios de resistencia, es bueno entrenar por lo menos tres veces por semana, pero recordando que para su salud siempre será mejor una vez por semana que ninguna. Los efectos del ejercicio se notarán después de unas pocas semanas. Si está en muy mal estado, comience con un trabajo de 20 minutos. Cuando su estado haya mejorado, puede ejercitarse entre 30 y 60 minutos, dependiendo de sus metas.

### NIVEL DE EJERCICIO

Sea cual sea su objetivo, obtendrá los mejores resultados entrenando a un nivel de esfuerzo adecuado, para lo cual el mejor indicador es su propio ritmo cardíaco.

### MEDICIÓN DEL RITMO CARDÍACO MEDIANTE LOS SENSORES DEL MANILLAR

El ritmo cardíaco se mide en las manos mediante los sensores ubicados en el manillar. Estos sensores miden los impulsos eléctricos generados por los latidos del corazón. La medición comienza al tocar simultáneamente ambos sensores del manillar. Para garantizar una medición fiable, la piel debe estar ligeramente húmeda y el contacto con los sensores debe ser continuo. Si la piel está demasiado seca o demasiado húmeda, la medición del ritmo cardíaco será menos fiable. Se debe intentar mantener el torso y las palmas relajados y quietos.

### MEDIDA DEL RITMO CARDÍACO CON UN CINTURÓN

La medida del pulso es más fiable si se hace con un sensor telemétrico en el que los electrodos de un transmisor sujeto al pecho transmiten las pulsaciones del corazón al contador creando un campo electromagnético.

**! NOTA!** Si Usted tiene incorporado un marcapasos, consulte a su médico antes de utilizar un monitor inalámbrico del ritmo cardíaco.

Si quiere medir su pulso de este modo durante su ejercicio, moje las ranuras de los electrodos del transmisor con saliva o agua. Si quiere ponerse el transmisor y la correa encima de una camiseta ligera, moje un poco la camiseta en los puntos donde los electrodos tocan la piel. Colóquese el transmisor justo debajo del pecho, con la correa elástica suficientemente apretada para que los electrodos estén en contacto con su piel, pero no tan fuerte que no pueda respirar normalmente. El transmisor envía automáticamente la lectura de las pulsaciones al contador hasta una distancia aproximada de 1 m.

Si la superficie de los electrodos no está mojada, no aparece en pantalla la medida del pulso. Si los electrodos se secan, hay que volver a mojarlos. Para que la medida del pulso sea más exacta, espere a que los electrodos se calienten. Si hay varios medidores telemétricos del pulso cerca unos de otros, la distancia mínima debe ser de 1,5 m. Del mismo modo, si sólo se usa un receptor con varios transmisores, sólo debe haber en el radio de alcance del transmisor una persona. El transmisor sólo se activa cuando se usa para medir. Sin embargo, el sudor y otras humedades pueden hacer que se active y gaste pila. Por tanto, es importante secar bien los electrodos después de usarlo.

A la hora de elegir la ropa adecuada para realizar los ejercicios tenga en cuenta que algunas fibras textiles (por ejemplo el poliéster o la poliamida) producen electricidad estática, lo que puede impedir una correcta medición del pulso. Tenga en cuenta que el teléfono móvil, el televisor y otros aparatos eléctricos forman a su alrededor un campo electromagnético que puede producir errores en la medición del pulso. Determine primero su ritmo cardíaco máximo, es decir, el ritmo que ya no aumenta al incrementarse el esfuerzo. Si Ud. no conoce su ritmo cardíaco máximo, use como guía la siguiente fórmula:

**220 - AGE**

El máximo varía según las personas. El ritmo cardíaco máximo disminuye en promedio un punto por año. Si Ud. pertenece a alguno grupo de riesgo, solicite a un médico que le mida su ritmo cardíaco máximo. Hemos definido tres zonas diferentes de ritmo cardíaco para ayudarlo en su entrenamiento dirigido.

**PRINCIPIANTE:** 50-60 % del ritmo cardíaco máximo

También recomendable para "vigilantes de peso", convalecientes y personas que no hayan hecho ejercicio físico durante largo tiempo. Se recomiendan tres sesiones semanales de por lo menos media hora cada una. El ejercicio regular mejora considerablemente las funciones respiratorias y circulatorias de los principiantes, quienes rápidamente sentirán el progreso.

**ENTRENAMIENTO:** 60-70 % DEL RITMO CARDÍACO MÁXIMO

Perfecto para una ejercitación de progreso y mantenimiento. Un esfuerzo regular y razonable desarrolla efectivamente el corazón y los pulmones entrenando un mínimo de 30 minutos al menos tres veces por semana. Para mejorar aún más su condición, aumente o la frecuencia o el esfuerzo, pero no ambos al mismo tiempo.

**ENTRENAMIENTO ACTIVO:** 70-80 % del ritmo cardíaco máximo

El ejercicio de este nivel es adecuado sólo para quienes están en óptimo estado, y presupone trabajos de alto rendimiento.

## CONTADOR



### TECLAS (en el lateral)

Botón de encendido  
Control de volumen  
Control de brillo

### PANTALLA TÁCTIL

Este monitor cuenta con una pantalla táctil. Solo es necesario tocar suavemente con el dedo los botones que aparecen en pantalla. No presione la pantalla o, de lo contrario, podría dañarla. No toque la pantalla con objetos punzantes.

## MULTIMEDIA

Este monitor dispone de 2 puertos USB (formato FAT/ FAT32) para reproducir archivos multimedia. Los tipos de archivo compatibles son:

MP3, AAC (MP4), Ogg Vorbis, WAV, MPEG-1, Ogg Theora, AVI, MKV, Ogg y MOV.

No es posible reproducir archivos protegidos con DRM.

También cuenta con un conector para iPod/iPhone (30 patillas) que permite conectar la mayoría de productos de Apple. Utilice el botón Media para buscar y reproducir la música almacenada en su iPod/iPhone. Esta conexión no permite la reproducción de video. Se puede acceder a los archivos de música de tu iPod / Iphone en la carpeta de user / Apple.

**! NOTA:** este monitor le permite conectar su iPod/ iPhone; Tunturi no se responsabiliza de los daños que pueda sufrir el hardware o el software de su iPod/iPhone al conectarlos.

## BOTONES EN PANTALLA

### 1. TRAINING

Pulse el botón TRAINING para seleccionar el programa de entrenamiento.

### 2. USER

Pulse el botón USER para abrir el menú USER. El menú USER incluye las funciones siguientes: CREATE USER, SELECT/ CHANGE USER, EDIT USER, DELETE USER, SETTINGS y USER LOG.

### 3. INTERNET

Pulse este botón para navegar por Internet (para ello, debe conectarse a una red inalámbrica).

### 4. E-Book reader

Pulse este botón para abrir el lector de libros electrónicos. El monitor puede leer libros electrónicos que se encuentren almacenados en una memoria USB. Los formatos compatibles son: ePub, FictionBook (fb2), Plucker, Open E-Book, Open Reader, PalmDoc, Psion Text, Mobipocket y texto plano.

### 5. WIFI SETTINGS

Este botón le permite configurar la conexión de red. Consulte el capítulo INTERNET para obtener más información.

### 6. BACK/STOP

Utilice el botón BACK/STOP para volver al menú principal. Pulse el botón BACK/STOP para hacer una pausa o detener el entrenamiento.

### 7. ZOOM

Visualización del perfil gráfico durante el entrenamiento. Pulse ZOOM para aumentar la imagen de perfil que aparece en la pantalla (dos, cuatro, ocho o dieciséis aumentos). Si pulsa el botón cinco veces, la imagen de perfil vuelve a su tamaño inicial.

### 8. KEYBOARD

Pulse este botón para mostrar u ocultar el teclado en pantalla.

### 9. BOTÓN MEDIA

Pulse el botón Media para abrir el reproductor multimedia. El reproductor detecta automáticamente

archivos de vídeo (formato MPEG-1) o de música (MP3, WMV y WAV). Seleccione el contenido de la memoria USB que desee reproducir.

## PANTALLA

Durante el entrenamiento puede ver los valores de tiempo, distancia, consumo energético, esfuerzo, RPM, ritmo cardíaco y velocidad en la parte izquierda de la pantalla.

# FUNCIONAMIENTO DEL INTERFAZ

## Encendido

Para activar el contador, conecte el dispositivo a la fuente de alimentación y presione la tecla de encendido situada en el lateral del monitor. El contador mostrará el menú TRAINING.

## Modo reposo

Si no pulsa ninguna tecla ni pedalea durante más de cinco minutos, el contador activa automáticamente el salvapantallas. Toque la pantalla para activar de nuevo el monitor.

## Apagado


Para apagar la máquina, mantenga pulsada durante varios segundos la tecla Power situada en el lateral del monitor y desconecte el adaptador de corriente de la máquina.


Los valores del ejercicio que se ha interrumpido se guardan en la memoria de la interfaz de usuario durante 5 minutos. Transcurrido ese tiempo, se ponen a cero. Para reanudar el ejercicio interrumpido, pedalee antes de que transcurran los 5 minutos antes mencionados.

En la pantalla aparecen consejos. Antes de que se muestren, verá un símbolo de una letra i sobre un fondo blanco. Puede quitar los mensajes de la pantalla con el control deslizante.

## MENÚ USER

Acceda al menú USER pulsando el botón USER. Recomendamos que establezca un código de usuario y que guarde su información personal; esta información es necesaria para, por ejemplo, efectuar un cálculo más preciso del consumo energético. También puede configurar las unidades que desea visualizar y revisar los valores generales de la sesión de entrenamiento. Al seleccionar un nombre de usuario, puede guardar sus sesiones de entrenamiento y mostrar sus niveles cardíacos en diferentes colores dependiendo del esfuerzo. Al crear un nombre de usuario o utilizar uno existente, éste aparecerá en la esquina superior derecha de la pantalla. También puede utilizar la máquina sin ningún nombre de usuario. En este caso, no se mostrará ningún nombre de usuario y se utilizarán los valores predeterminados para la sesión de entrenamiento (hombre de 45 años y 70 kg de peso). Puede guardar los datos de hasta 20 usuarios.


 **¡IMPORTANTE!** Si desea ver las sesiones de entrenamiento personal guardadas en USER LOG, no olvide seleccionar su nombre de usuario. También puede utilizar un nombre de usuario en cualquier momento de su sesión de entrenamiento pulsando el botón USER y seleccionando su nombre. No se interrumpirá la sesión de entrenamiento. Después de seleccionarlo, pulse el botón BACK/STOP para volver a los datos del entrenamiento.

 **¡IMPORTANTE!** Si desea guardar su sesión de entrenamiento, debe seleccionar un nombre de usuario.

## CREATE USER

Para crear un usuario:

1. Pulse el botón USER. Aparece el menú USER.
2. Desplácese por la lista para seleccionar CREATE USER. Confirme la selección pulsando la barra de selección.
3. Desplácese por la lista para seleccionar un idioma y confirme su selección pulsando la barra de selección.
4. Introduzca su nombre con el teclado y pulse Enter para confirmar.
5. Seleccione las unidades que desea utilizar. (Metric 1 (kg, km, kcal), Metric 2 (kg, km, kJ), o las unidades imperiales correspondientes Imperial 1 (lb, mi, kcal), Imperial 2 (lb, mi, kJ)). Desplácese por la lista para seleccionar y pulse la barra de selección para confirmar. Aparecerá automáticamente el siguiente valor.
6. Seleccione la pantalla de objetivo para los valores programados. COUNT DOWN muestra los valores según disminuyen desde su objetivo hasta cero. COUNT UP muestra los valores según aumentan hacia su objetivo. Pulse la barra de selección para confirmar. Aparecerá el siguiente valor.
7. Desplácese por la lista para establecer su sexo. Confirme la selección.
8. Utilice el control deslizante para establecer su edad. Confirme la selección.
9. Establezca su altura. Confirme la selección.
10. Establezca su peso. Confirme la selección.
11. Establezca su ritmo cardíaco máximo. El contador calcula su ritmo cardíaco máximo estimado mediante la fórmula  $220 - \text{edad}$ . Si conoce su ritmo cardíaco máximo exacto, ajuste el ritmo proporcionado por el contador.
12. Establezca su umbral anaeróbico. El equipo utiliza su ritmo cardíaco máximo para calcular una estimación de su umbral de ritmo cardíaco (un 80% del ritmo cardíaco máximo). Si conoce su ritmo cardíaco de umbral anaeróbico exacto, ajuste la estimación proporcionada por el contador.
13. Establezca el umbral aeróbico. El equipo utiliza su ritmo cardíaco máximo para calcular una estimación de su umbral de ritmo cardíaco (un 60% del ritmo cardíaco máximo). Si conoce su ritmo cardíaco de umbral aeróbico exacto, ajuste la estimación proporcionada por el contador.

 **¡IMPORTANTE!** El contador puede guardar hasta 20 nombres de usuario cada vez.

## SELECT/CHANGE USER

Una vez que haya definido su nombre de usuario, selecciónelo al comienzo de su sesión de entrenamiento mediante SELECT/CHANGE USER y pulse la barra de selección para confirmar la selección.

## EDIT USER

Edite sus datos de usuario mediante EDIT USER.

## DELETE USER

Borre el usuario que haya seleccionado con la opción DELETE USER.

## SETTINGS

Mediante SETTINGS, puede actualizar la versión del firmware del contador, ajustar el contraste de la pantalla, ver los valores totales de la bicicleta y activar o desactivar los sonidos de los botones.



## USER LOG

Mediante USER LOG, puede consultar los datos de entrenamiento del usuario seleccionado. Puede consultar los datos de la última sesión de entrenamiento o un resumen de todas las sesiones del usuario. Salga de los datos de entrenamiento pulsando BACK/STOP.

## MENÚ TRAINING

Acceda al menú TRAINING pulsando el botón TRAINING. En el menú TRAINING, desplácese por la lista para seleccionar una de las sesiones de entrenamiento siguientes y pulse la barra de selección.

## QUICK START

Este programa le permite iniciar el programa manual sin utilizar ningún usuario:

1. Seleccione QUICK START. Confirme la selección pulsando la barra de selección y comience la sesión de entrenamiento pedaleando.
2. Aumente o disminuya la resistencia (de 1 a 58 Nm) mediante el control deslizante situado a la derecha.
3. Para detener la sesión de entrenamiento, pulse el botón BACK/STOP. A continuación, detenga la sesión seleccionando EXIT, guarde la sesión en la memoria mediante SAVE AND EXIT o continúe mediante CONTINUE.

## MANUAL

Le permite programar su nivel de esfuerzo durante el entrenamiento con el control deslizante.

1. Seleccione MANUAL.
2. Seleccione su objetivo para la sesión mediante el control deslizante: tiempo, distancia o consumo energético. Confirme la selección con el botón de selección.
3. Programe el objetivo para la sesión mediante el control deslizante: tiempo (de 10 a 180 minutos), distancia (de 3 a 100 km) o consumo energético (de 50 a 2000 kcal). Confirme la selección con el botón de selección.
4. Comience la sesión de entrenamiento pedaleando. Aumente o disminuya la resistencia (de 1 a 58 Nm) mediante el control deslizante. Durante el entrenamiento, consulte la resistencia o el ritmo cardíaco mediante el botón que se encuentra en la parte inferior de la pantalla.
5. Una vez alcanzado el valor objetivo del ejercicio, el contador emite una señal acústica. No obstante, puede continuar todavía el programa.
6. Para detener la sesión de entrenamiento, pulse el botón BACK/STOP. A continuación, detenga la sesión seleccionando EXIT, guarde la sesión en la memoria mediante SAVE AND EXIT o continúe mediante CONTINUE.

## PROGRAMA TARGET HR (PULSO PROGRAMADO)

Con este programa podrá programar el ritmo de su pulso, es decir, la resistencia del ergómetro variará para que su pulso se mantenga al ritmo programado. Si sus pulsaciones aumentan, la resistencia se reduce automáticamente y viceversa. También podrá cambiar el ritmo del pulso durante el ejercicio. El programa requiere medir las pulsaciones.

1. Seleccione TARGET HR.
2. Programe el nivel cardíaco (de 80 a 220) para la sesión de entrenamiento mediante el control deslizante. Confirme la selección.
3. Seleccione la duración de la sesión medida en tiempo, distancia o consumo energético con el control deslizante. Confirme la selección pulsando el botón de selección.

4. Programe el objetivo para la sesión mediante el control deslizante: tiempo (de 10 a 180 minutos), distancia (de 3 a 100 km) o consumo energético (de 200 a 8000 kcal). Confirme la selección pulsando el botón de selección.
5. Comience la sesión de entrenamiento pedaleando. Puede cambiar el nivel cardíaco (de 80 a 220) mediante el control deslizante. Durante el entrenamiento, consulte la resistencia o el ritmo cardíaco mediante el botón que aparece en la parte inferior de la pantalla.
6. Una vez alcanzado el valor objetivo del ejercicio, el contador emite una señal acústica. No obstante, puede continuar todavía el programa.
7. Para detener la sesión de entrenamiento, pulse el botón BACK/STOP. A continuación, detenga la sesión seleccionando EXIT, guarde la sesión en la memoria mediante SAVE AND EXIT o continúe mediante CONTINUE.

## WATT CONTROL

Programe el valor de esfuerzo deseado en vatios seleccionando el programa WATT CONTROL. De este modo, por ejemplo, el esfuerzo del pedaleo será independiente de la rotación del pedal. También podrá cambiar el valor de esfuerzo durante el entrenamiento.

1. Seleccione WATT CONTROL.
2. Programe el nivel de esfuerzo (de 20 a 600 W) de la sesión de entrenamiento mediante el control deslizante. Confirme la selección pulsando el botón de selección.
3. Seleccione la duración de la sesión medida en tiempo, distancia o consumo energético mediante el control deslizante. Confirme la selección.
4. Programe el objetivo para la sesión: tiempo (de 10 a 180 minutos), distancia (de 3 a 100 km) o consumo energético (de 200 a 8000 kcal). Confirme la selección.
5. Comience la sesión de entrenamiento pedaleando. Aumente o disminuya la resistencia (de 20 a 600 W) mediante el control deslizante. Durante el entrenamiento, consulte el esfuerzo o el ritmo cardíaco.
6. Una vez alcanzado el valor objetivo del ejercicio, el contador emite una señal acústica. No obstante, puede continuar todavía el programa.
7. Para detener la sesión de entrenamiento, pulse el botón BACK/STOP. A continuación, detenga la sesión seleccionando EXIT, guarde la sesión en la memoria mediante SAVE AND EXIT o continúe mediante CONTINUE.

## PROGRAMS

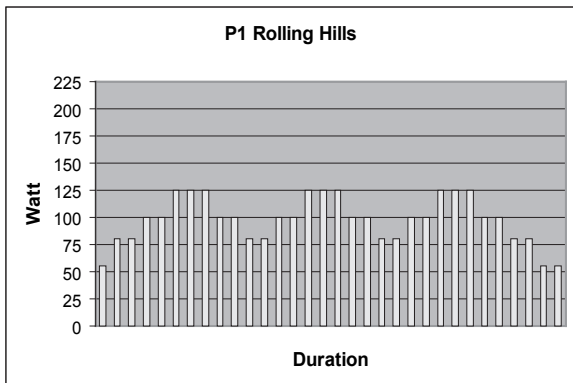
Este programa contiene perfiles de ejercicio preprogramados. El programa varía automáticamente la intensidad durante la sesión. La pantalla muestra el perfil y los cambios; además, es posible ajustar de forma manual la intensidad.

1. Seleccione PROGRAMS.
2. Seleccione un programa de la lista (del 1 al 10) mediante la barra de selección. Los perfiles de P1 a P5 son programas de control de vatios y los perfiles de P6 a P10 son programas de ritmo cardíaco que requieren una medición. Confirme la selección pulsando el dial.
3. Seleccione la duración de la sesión medida en tiempo o distancia. Confirme la selección.
4. Programe el objetivo para la sesión: tiempo (de 10 a 180 minutos) o distancia (de 3 a 100 km). Confirme la selección.
5. Comience el programa pedaleando. Aumente o disminuya la resistencia mediante el control deslizante. Durante el entrenamiento, consulte el esfuerzo o el ritmo cardíaco. La visualización del ritmo cardíaco requiere una medición.
6. Una vez alcanzado el valor objetivo del ejercicio, el contador emite una señal acústica. No obstante, puede

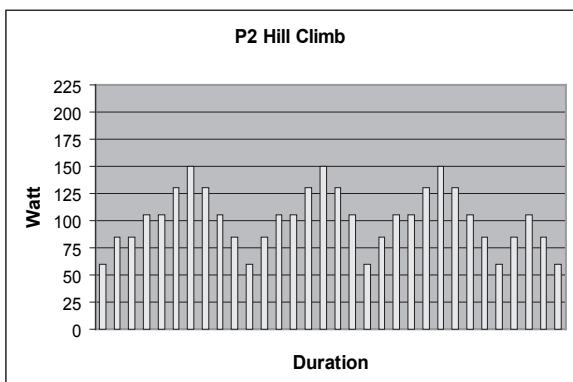
continuar todavía el programa.

7. Para detener la sesión de entrenamiento, pulse el botón BACK/STOP. A continuación, detenga la sesión seleccionando EXIT, guarde la sesión en la memoria mediante SAVE AND EXIT o continúe mediante CONTINUE.

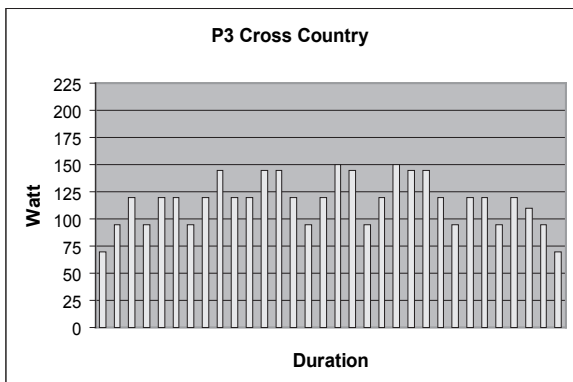
**PERFIL P1.** Perfil de alto rendimiento de tres picos para mejorar la capacidad aeróbica. Los picos son bastante largos, pero es apropiado para principiantes. Si no lo hace, el esfuerzo medio es 98 vatios, esfuerzo máximo es 125 vatios.



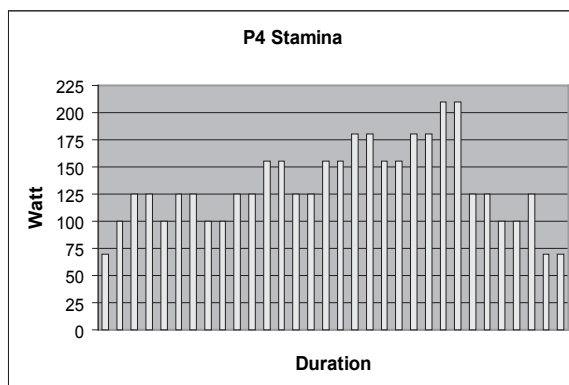
**PERFIL P2.** Perfil de alto rendimiento de tres picos para mejorar la capacidad aeróbica. Los picos son bastante cortos, por lo que es apropiado para principiantes, por ejemplo. Si no lo hace, el esfuerzo medio es 102 vatios, esfuerzo máximo es 150 vatios.



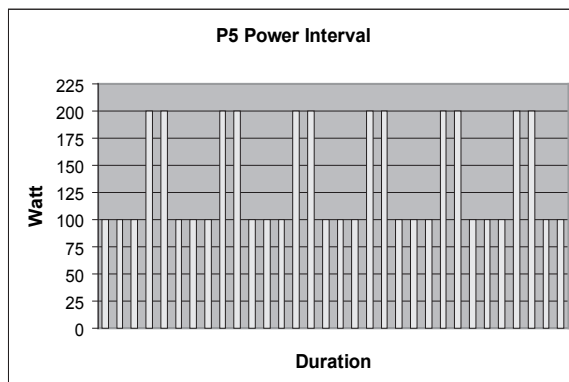
**PERFIL P3.** Perfil de alto rendimiento de picos múltiples para mejorar la fuerza veloz. Los cambios de niveles de intensidad son irregulares y los picos bastante cortos, por lo que este perfil es adecuado para todo tipo de usuario. Si no lo hace, el esfuerzo medio es 117 vatios, esfuerzo máximo es 150 vatios.



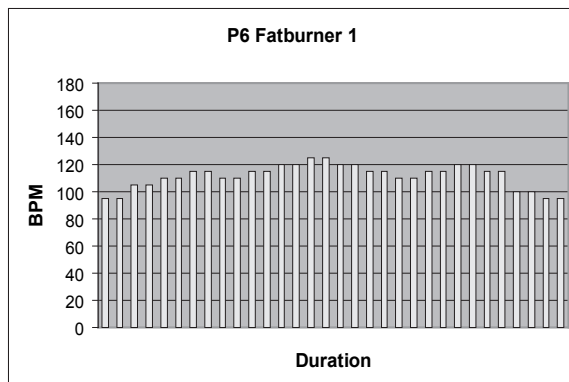
**PERFIL P4.** Perfil de alto rendimiento cuesta arriba para mejorar la resistencia. Los picos son bastante largos y van subiendo de intensidad durante el ejercicio. Este perfil está pensado especialmente para personas en buena forma. Si no lo hace, el esfuerzo medio es 133 vatios, esfuerzo máximo es 210 vatios.



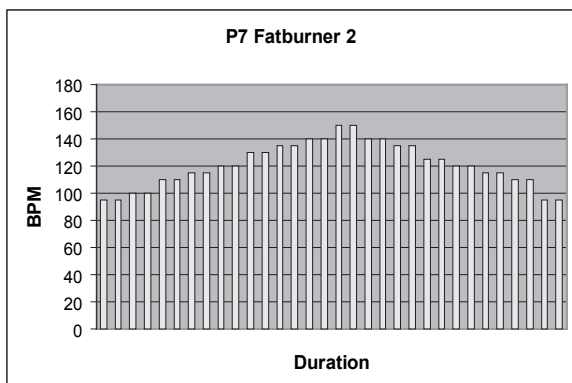
**PERFIL P5.** Perfil de intervalo de esfuerzo de forma regular en el que la diferencia entre los niveles de esfuerzo más altos y los básicos está bien definida. En la configuración predeterminada el esfuerzo medio es de 138 W y el nivel más alto de esfuerzo de 200 W. Observe que en este perfil se puede escalar por separado una resistencia básica y de alto nivel.



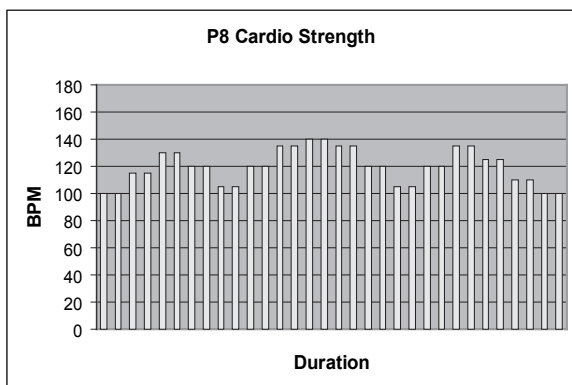
**PERFIL P6.** Perfil de frecuencia de pulso de tres picos para mejorar la capacidad aeróbica. Los picos son bastante largos, pero también es adecuado para principiantes. Si no lo hace, el pulso medio es 112, el pulso máximo es 125.



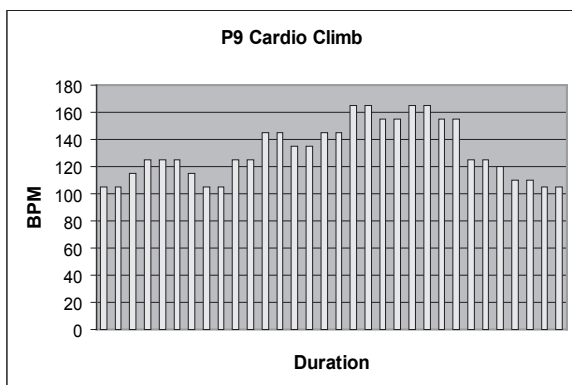
**PERFIL P7.** Perfil de frecuencia de pulso cuesta arriba, en el que las pulsaciones suben gradualmente hasta la mitad del programa y después empiezan a bajar también gradualmente. Este perfil también es adecuado para principiantes. Si no lo hace, el pulso medio es 121, el pulso máximo es 150.



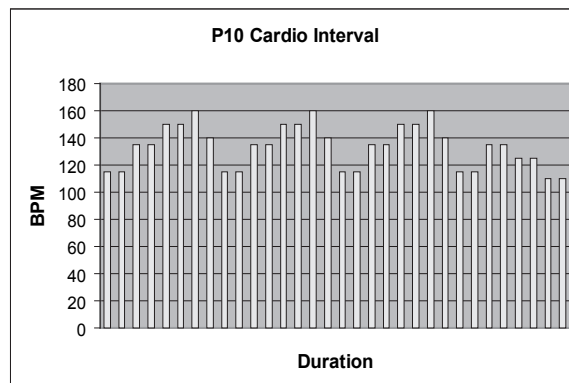
**PERFIL P8.** Perfil de frecuencia de pulso de tres picos para mejorar la resistencia. Los picos son bastante largos pero el nivel cardíaco es más bien constante durante todo el programa. Este perfil es apropiado para todo tipo de usuarios. Si no lo hace, el pulso medio es 120, el pulso máximo es 140.



**PERFIL P9.** Perfil de frecuencia de pulso cuesta arriba para mejorar la resistencia. Los picos son bastante largos y van subiendo de intensidad durante el ejercicio. Este perfil está pensado especialmente para personas en buena forma. Si no lo hace, el pulso medio es 131, el pulso máximo es 170.



**PERFIL P10.** Perfil de frecuencia de pulso de tres picos ara mejorar la capacidad aeróbica. A los tres picos de larga duración les siguen etapas de recuperación. Este perfil es adecuado sobre todo para aquellos que posean una buena condición física. Si no lo hace, el pulso medio es 133, el pulso máximo es 160.



### T-RIDE

T-RIDE TRAINING simula que monta en bicicleta por un terreno natural. Durante el entrenamiento, puede cambiar de marcha mediante el control deslizante y ver el perfil de altitud.

1. Seleccione T-RIDE.
2. Seleccione el terreno y confirme la selección.
3. Programe el punto de inicio de la sesión; para ello, toque el perfil y confírmelo pulsando el botón.
4. Programe el punto de fin de la sesión; para ello, toque el perfil y confírmelo pulsando el botón.
5. Comience la sesión de entrenamiento pedaleando. Puede cambiar de marcha (de la 1 a la 8) mediante el control deslizante. Durante el entrenamiento, consulte el perfil de altitud o el ritmo cardíaco. La visualización del ritmo cardíaco requiere una medición.
6. Una vez que haya completado la ruta, el contador emite un pitido y finaliza la sesión de entrenamiento.
7. Para detener la sesión de entrenamiento, pulse el botón BACK/STOP. A continuación, detenga la sesión seleccionando EXIT, guarde la sesión en la memoria mediante SAVE AND EXIT o continúe mediante CONTINUE.

### T-ROAD

**IMPORTANTE:** Sólo puede realizar una sesión de entrenamiento de T-ROAD si hay una tarjeta de memoria insertada en el contador. T-ROAD es parecido a T-RIDE pero, además, durante una sesión de entrenamiento de T-ROAD, puede consultar su progreso en un vídeo. Durante el entrenamiento, consulte el perfil de altitud o el vídeo mediante el dial de selección.

### T-MUSIC

**! IMPORTANTE:** Sólo puede realizar una sesión de entrenamiento de T-MUSIC si hay una tarjeta de memoria insertada en el contador. Los programas de T-MUSIC se controlan con el ritmo cardíaco. Durante el ejercicio, el ritmo de la música cambia según el nivel de esfuerzo de la sesión de entrenamiento. La duración del programa de T-MUSIC es de 40 minutos. No puede cambiar el nivel cardíaco seleccionado durante el entrenamiento. El programa requiere una medición.

1. Seleccione T-MUSIC.
2. Desplácese por la lista para seleccionar un programa (del 1 al 3). Confirme la selección pulsando la barra de selección.
3. Comience el programa pedaleando. Durante el entrenamiento, consulte el esfuerzo o el ritmo cardíaco mediante el botón situado en la parte inferior de la pantalla.
4. Después de 40 minutos, el contador emite un pitido y la sesión de entrenamiento finaliza.
5. Para detener la sesión de entrenamiento, pulse el botón BACK/STOP. A continuación, detenga la sesión seleccionando EXIT, guarde la sesión en la memoria mediante SAVE AND EXIT o continúe mediante CONTINUE.

## OWN TRAINING

Puede crear y guardar hasta 100 programas de entrenamiento en el contador.

## SAVING A PROGRAM

1. Finalice la sesión de entrenamiento pulsando BACK/STOP.
2. Seleccione SAVE AND EXIT y confirme la selección.
3. Introduzca un nombre para la sesión de entrenamiento y pulse Enter.



**¡IMPORTANTE!** Sólo puede guardar programas que duren más de 10 minutos.



**¡IMPORTANTE!** Para guardar una sesión de entrenamiento necesita seleccionar un nombre de usuario.

## USO DE PROGRAMAS GUARDADOS

1. Seleccione OWN TRAINING.
2. Seleccione una sesión de entrenamiento de la lista.
3. Seleccione el método de ejecución deseado:
  - A) Replay = repite el ejercicio tal y como está guardado en la memoria.
  - B) Edit = modifica la duración del ejercicio guardado en la memoria antes de ser tomado en uso.
  - C) Race = compite con una sesión almacenada en la memoria.

¡IMPORTANTE! Sólo se pueden utilizar perfiles de programa creados en la función manual. Estos perfiles muestran la resistencia con un momento de fuerza constante (Nm).
4. Confirme la selección pulsando el botón de selección.
  - A) Replay = comience el ejercicio pedaleando. Aumente o disminuya la resistencia mediante el control deslizante.
  - B) Edit = seleccione mediante el control deslizante la duración del programa (especifique un tiempo de 10 a 180 minutos). Comience el ejercicio pedaleando. Aumente o disminuya la resistencia mediante el control deslizante.
  - C) Race = desplácese por la lista para seleccionar el modo de carrera (tiempo: la distancia que puede pedalear en un tiempo determinado; o distancia: la rapidez en la que puede recorrer una distancia determinada) y confirme la selección mediante el botón de selección. La pantalla muestra el programa guardado anteriormente. Comience a pedalear para iniciar la carrera. La línea discontinua de la pantalla muestra si está por delante o por detrás de la marca de la sesión de entrenamiento, que es la sesión de entrenamiento más reciente guardada utilizando este programa. También se muestra la distancia con respecto a la sesión guardada anteriormente: la sesión de entrenamiento anterior aparece con una línea vertical discontinua de color azul

claro y el esfuerzo de su carrera se representa con una línea vertical discontinua de color negro.

5. Para detener la sesión de entrenamiento, pulse el botón BACK/STOP. A continuación, detenga la sesión seleccionando EXIT, guarde la sesión en la memoria mediante SAVE AND EXIT o continúe mediante CONTINUE.

## FITNESS TEST

El test de condición física del contador es escalonado. El test comienza con una resistencia ligera pero, conforme al modelo de test seleccionado, la resistencia aumenta de modo constante. El test escalonado es una forma submaximal segura y fiable de controlar el nivel de la condición física. El test se realiza hasta que se alcance el nivel individual objetivo del ritmo cardíaco (85% del nivel máximo de ritmo cardíaco) de la persona que se somete a él. El test requiere el uso de un pulsómetro: durante la realización del test, el pulsómetro registra los cambios de nivel del ritmo cardíaco y sobre esta base estima la capacidad máxima de inspiración de oxígeno de la persona sometida al test. La capacidad máxima de inspiración de oxígeno es por su parte la mejor manera de estimar el nivel de la condición física. Después del test, el contador proporciona información versátil sobre su nivel de condición física mediante una descripción y un valor numérico (ml/kg/min).

## PREPARACIÓN DE LA PRUEBA

1. Asegúrese de que los datos asociados a su nombre de usuario están actualizados, el contador utiliza los datos del usuario como base para elaborar el test de condición física.
2. Seleccione FITNESS TEST.
3. Desplácese por la lista para seleccionar la categoría de condición física más apropiada:
  - A) Inactive = no practica ejercicio, mala condición física
  - B) Active = practica ejercicio, condición física media o buena
  - C) Athletic = practica activamente ejercicio, condición física buena o excelente
4. La pantalla muestra el modelo de test correspondiente a cada categoría de condición física.
  - A) Step time = duración del nivel de esfuerzo en el test
  - B) First step = nivel de esfuerzo a partir del cual comienza el test
  - C) Step power = nivel de esfuerzo escalonado (cierto número de vatios); en el test hay varios niveles
5. Confirme la selección pulsando el botón de selección.
6. Si es necesario, ajuste el valor de ritmo cardíaco objetivo mediante el control deslizante. Confirme los valores mediante el botón de selección.
7. En la pantalla se le informa de que puede detener el test una vez que se alcance el ritmo cardíaco objetivo del test. Comience el test pulsando el botón.

## REALIZACIÓN DEL TEST

1. En la pantalla aparece el modelo escalonado de test seleccionado. Comience el test pedaleando. Su curva de ritmo cardíaco se visualiza en la pantalla como una curva roja, que se actualiza a medida que el test avanza. Su nivel objetivo de ritmo cardíaco está señalado con una línea roja discontinua.
2. Cuando su nivel de ritmo cardíaco haya alcanzado el nivel objetivo, el contador emitirá una señal acústica y en la pantalla aparecerá el aviso. Le recomendamos que finalice el test en este nivel pero, si su condición física es lo suficientemente buena, puede continuar todavía el test. En caso de que haya introducido correctamente su nivel objetivo de ritmo cardíaco (es decir, si ha podido establecer con la suficiente precisión su nivel máximo

de ritmo cardíaco), la continuación del ejercicio ya no mejora la exactitud del test. Si ha sobrevalorado su ritmo cardíaco máximo, su nivel de condición física también estará sobrevalorado. Del mismo modo, si infravalora su ritmo cardíaco máximo, su nivel de condición física también estará infravalorado.

3. Pulse el botón BACK/STOP o deje de pedalear para detener el test una vez que se alcance el nivel cardíaco objetivo. El contador pasará entonces a mostrar los resultados del test:

A) Condición aeróbica = estimación de su nivel de condición física en la zona de esfuerzo, la que más generalmente usa, y que mejor evidencia el estado de su condición de salud física.

B) El valor MET = valor que indica las veces que puede aumentar la capacidad de inspiración de oxígeno de su organismo en comparación con un estado de reposo absoluto.

C) ml/kg/min = valor que indica la capacidad de inspiración de oxígeno de su organismo expresada en mililitros por minuto por cada kilo de peso.

D) l/min = valor que indica la capacidad de inspiración de oxígeno de su organismo expresada en litros por minuto. La diferencia con respecto a la estimación anterior es que este valor no toma en consideración el peso del cuerpo.

E) Wmax = estimación de su nivel máximo de prestación expresado en vatios.

F) W/kg = índice de la relación entre su nivel máximo de prestación y su peso.

<b>HOMBRES / CAPACIDAD MÁXIMA DE TOMA DE OXÍGENO (VO2MAX)</b>							
<b>1 = MUY MALO, 7 = MUY BUENO</b>							
<b>EDAD</b>	<b>1</b>	<b>2</b>	<b>3</b>	<b>4</b>	<b>5</b>	<b>6</b>	<b>7</b>
18-19	<33	33-38	39-44	45-51	52-57	58-63	>63
20-24	<32	32-37	38-43	44-50	51-56	57-62	>62
25-29	<31	31-35	36-42	43-48	49-53	54-59	>59
30-34	<29	29-34	35-40	41-45	46-51	52-56	>56
35-39	<28	28-32	33-38	39-43	44-48	49-54	>54
40-44	<26	26-31	32-35	36-41	42-46	47-51	>51
45-49	<25	25-29	30-34	35-39	40-43	44-48	>48
50-54	<24	24-27	28-32	33-36	37-41	42-46	>46
55-59	<22	22-26	27-30	31-34	35-39	40-43	>43
60-65	<21	21-24	25-28	29-32	33-36	37-40	>40

<b>WOMEN / MAXIMAL OXYGEN UPTAKE (VO2MAX)</b>							
<b>1 = VERY POOR - 7 = EXCELLENT</b>							
<b>AGE</b>	<b>1</b>	<b>2</b>	<b>3</b>	<b>4</b>	<b>5</b>	<b>6</b>	<b>7</b>
18-19	<28	28-32	33-37	38-42	43-47	48-52	>52
20-24	<27	27-31	32-36	37-41	42-46	47-51	>51
25-29	<26	26-30	31-35	36-40	41-44	45-49	>49
30-34	<25	25-29	30-33	34-37	38-42	43-46	>46
35-39	<24	24-27	28-31	32-35	36-40	41-44	>44
40-44	<22	22-25	26-29	30-33	34-37	38-41	>41
45-49	<21	21-23	24-27	28-31	32-35	36-38	>38
50-54	<19	19-22	23-25	26-29	30-32	33-36	>36
55-59	<18	18-20	21-23	24-27	28-30	31-33	>33
60-65	<16	16-18	19-21	22-24	25-27	28-30	>30

## TARJETA DE MEMORIA

La tarjeta de memoria incluye todos los programas de T-ROAD y T-MUSIC, y algunos programas de T-RIDE.



**IMPORTANTE:** Los programas de la tarjeta de memoria sólo se pueden ejecutar si ha insertado la tarjeta en el conector del contador.

## INTERNET

Configuración de una conexión a Internet.

1. Pulse el botón Wi-Fi para activar el Wi-Fi.
2. Seleccione una red existente en la lista o seleccione "Manual setup" para configurar de forma manual una conexión de red.

Importante: el monitor no admite el uso de redes inalámbricas con SSID oculto.

3. Especifique el nombre de la red.
4. Seleccione una opción de seguridad.

(Para conocer las distintas opciones de seguridad, consulte al administrador del punto de acceso inalámbrico.)

5. Introduzca la clave de seguridad (contraseña) correcta. No olvide que distingue entre minúsculas y mayúsculas.

6. Seleccione el modo de conexión: manual o automático. Si surge algún problema con la conexión, consulte a su proveedor de Internet para obtener más información.



**ADVERTENCIA:** Revise las cláusulas del contrato de su conexión a Internet. En función del tipo de contrato, es posible que su proveedor facture por datos transferidos o por límite de tiempo. Si selecciona el modo de conexión automático, se creará una conexión permanente que puede dar lugar a una transferencia elevada de datos. Seleccione el modo manual para activar la conexión de forma manual. No olvide desconectar el Wi-Fi cuando finalice su sesión de entrenamiento ya que, en el modo reposo, la conexión permanece activa. Tunturi no se responsabiliza de los gastos ocasionados por la conexión a Internet; nuestra función consiste únicamente en ofrecer los medios para establecer dicha conexión independientemente del coste que pueda comportar.

## USO DE INTERNET

El navegador que aparece en el monitor solo se puede utilizar para navegar por Internet. El uso y la descarga de archivos en el monitor está limitado (aproximadamente 80 Mb). Solo se pueden utilizar archivos multimedia. Este navegador no es compatible con vídeos basados en Flash y, por lo tanto, no puede mostrar contenido en formato Flash.

## DESCARGO DE RESPONSABILIDAD

El uso de Internet (navegación y descarga) y el uso de dispositivos externos (USB/iPod) comporta ciertos riesgos para el monitor. Tunturi no se responsabiliza de los daños derivados del uso de Internet o de dispositivos externos, ni de ningún virus, spyware o malware que haya podido afectar al monitor a causa del uso de Internet o de dispositivos externos. Acceda siempre a sitios web de confianza y analice sus dispositivos externos en busca de virus, spyware o malware antes de utilizarlos en el monitor.

## ACTUALIZACIÓN DE SOFTWARE

Nuestro compromiso con mejorar nuestra calidad es permanente. Visite con frecuencia nuestro sitio web [www.tunturi.com](http://www.tunturi.com) para comprobar si existe alguna actualización de software que contribuya a mejorar el funcionamiento y el rendimiento del monitor.

# MANTENIMIENTO

---

Los equipos Tunturi requieren muy poco mantenimiento. Verifique sin embargo de tiempo en tiempo que todos los tornillos y tuercas estén ajustados.

Después de ejercitar, seque siempre todas las piezas del equipo con un paño suave, absorbente. No use disolventes.

El freno electromagnético se basa en resistencia electromagnética; el nivel y los cambios de resistencia se miden y se muestran electrónicamente como vatio-lectura en la visualización. Por lo tanto su ergómetro de Tunturi no necesita ser vuelto a calibrar cuando está ensamblado, mantenido y utilizado según esta guía del ejercicio.

The electromagnetic brake is based on electromagnetic resistance; resistance level is electronically measured and shown as watt reading on the display. Due to the measurement system, your Tunturi ergometer need not be re-calibrated when assembled, serviced and used according to this Owner's Manual.

# DEFECTOS DE FUNCIONAMIENTO

---

Pese al continuo control de calidad que realizamos, el equipo puede presentar defectos o malfuncionamientos debidos a fallos en componentes individuales. En la mayoría de los casos no es necesario llevar todo el equipo a reparar, y generalmente es suficiente con reemplazar la parte defectuosa.

NOTA: Si el equipo no funciona correctamente durante su uso, tome contacto inmediatamente con su proveedor Tunturi. Relate la naturaleza del problema, las condiciones de uso, la fecha de compra, el modelo y el número de serie.

En el reverso de esta guía encontrará la lista de piezas. Utilice sólo piezas de repuesto mencionadas en la lista de piezas de repuesto.

# TRANSPORTE Y ALMACENAMIENTO

---

Siga estas instrucciones al trasladar y mover la bicicleta, ya que levantarla incorrectamente puede forzarle la espalda u otros accidentes:

Siempre cierre el interruptor de alimentación y desenchufe el cable de alimentación antes de mover el equipo.

Párese detrás de la bicicleta. Agarre el sillín con una mano y el manillar con la otra, y coloque un pie sobre el soporte trasero. Incline el equipo de modo que repose sobre las ruedas de transporte. Mueva la bicicleta haciéndola rodar sobre las ruedas de transporte. Baje la bicicleta sosteniéndola del manillar, permaneciendo todo el tiempo detrás del equipo.

Al desplazar el aparato se pueden producir daños en algunos suelos, por ejemplo, en el parquet. Por esta razón el suelo deberá protegerse.

Para evitar malfuncionamientos de la bicicleta, guárdela en sitio seco con la menor variación de temperatura posible y protegida del polvo.

# DATOS TECNICOS


---

Longitud	99 cm
Anchura	70 cm
Altura	116 cm
Peso	46 kg

Este producto cumple los requerimientos de las directivas EMC de la UE sobre compatibilidad electromagnética (89/336/EEC) y equipo eléctrico diseñado para su uso dentro de ciertos límites de tensión (73/23/EEC). Por lo tanto, este producto ostenta la etiqueta CE.

Este producto cumple los standards EN de precisión y seguridad (Clase SA, EN-957, partes 1 y 5).

Debido a su política de continuo desarrollo de productos, Tunturi se reserva el derecho de cambiar las especificaciones sin previo aviso.

 **NOTA!** La garantía no cubre daños debidos a negligencias en los procedimientos de montaje, ajuste y mantenimiento descritos en esta guía. Deben seguirse estrictamente estas instrucciones en el montaje, uso y mantenimiento de su equipo. Cambios o modificaciones no expresamente aprobados por Accell Fitness no están autorizados a los usuarios.

**LE DESEAMOS MUCHAS AGRADABLES SESIONES DE ENTRENAMIENTO CON SU NUEVO COMPAÑERO DE ENTRENAMIENTO TUNTURI.**

# INNEHÅLL

MONTERING	71
JUSTERINGAR	73
ATT TRÄNA MED TUNTURI	73
PULS	73
MÄTAREN	74
UNDERHÅLL	80
TRANSPORT OCH FÖRVARING	80
TEKNISKA DATA	81

## VÄLKOMMEN TILL TUNTURIS TRÄNINGSVÄRLD!

Ditt val visar att du verkligen vill investera i din kondition och ditt välbefinnande; det visar också att du verkligen värdesätter hög kvalitet och stil. Med ett träningsredskap från Tunturi har du valt en säker och motiverande produkt av hög kvalitet till träningspartner. Oberoende av vilken målsättning du har, är vi säkra på att det här är den rätta utrustningen för att du skall nå ditt mål. Du kan hitta information om hur du ska använda ditt träningsredskap och hur man tränar effektivt på Tunturis webbplats på adressen [www.tunturi.com](http://www.tunturi.com).

## BRUKSANVISNING

Läs noga igenom denna handbok innan du monterar upp, använder eller reparerar ditt nya träningsredskap. Spara denna handbok; den innehåller information som du behöver nu och i framtiden för att använda och underhålla ditt redskap. Följ alltid dessa instruktioner noggrant.

### BEAKTANSVÄRT RÖRANDE HÄLSAN

- Konsultera din läkare innan du inleder ditt träningsprogram.
- Om du känner dig illamående, får svindel eller uppvisar andra onormala symtom under träningen, skall du omedelbart avbryta träningen och vända dig till din läkare.
- Värm upp före varje träningspass (långsam trampning med lågt motstånd) och avsluta med avslappningsövningar och muskelsträckningar för att undvika träningsvärk.

### BEAKTANSVÄRT RÖRANDE TRÄNINGSMILJÖN

- Redskapet får inte användas utomhus.
- Placera redskapet på ett så plant underlag som möjligt.
- Kontrollera att träningslokalen har en god ventilation. Undvik dock träning i dragiga lokaler, eftersom det kan leda till förkylning.
- Redskapet tål vid träning en omgivning från +10°C till +35°C. Redskapet kan lagras vid temperaturer mellan -15°C och +40°C. Luftfuktigheten i tränings- eller upplagringsomgivningen får aldrig överskrida 90 %.

### BEAKTANSVÄRT RÖRANDE REDSKAPETS ANVÄNDNING

- Skydda mätaren mot solljus och torka alltid ytan av ytan på mätaren om du ser svett droppar på den.
- Föräldrar och andra personer som har ansvar för

barn skall beakta, att barnens naturliga lekbehov och experimentlust kan leda till situationer, för vilka redskapet inte är avsett. Om barn får använda redskapet, måste föräldrarna eller andra ansvariga personer beakta barnens psykiska och fysiska utveckling och framför allt barnens natur. Barn skall erhålla handledning i redskapets användning.

- Kontrollera att redskapet är i skick innan du inleder träningen. Använd aldrig ett redskap som är sönder.
- Luta dig aldrig mot användargränssnittet.
- Tryck på tangenterna med fingertopparna; naglar kan skada tangentmembranet.
- Använd aldrig redskapet, när sidokåporna inte är på plats.
- För undvikande av skador rekommenderas att redskapet placeras på ett skyddat underlag.
- Redskapet får endast användas av en person åt gången.
- Håll i styret vid på- och avstigning.
- Använd lämpliga kläder och skor när du tränar.
- Utför endast de service-och justeringsåtgärder som beskrivs i denna bruksanvisning. Givna anvisningar bör följas.
- Redskapet får inte användas av personer som väger över 150 kg.
- Utförligare information om träningsredskapets garanti hittar du i den bifogade garantiboken. Observera att garantin inte täcker skador uppkomna genom försumlighet av inställningen och justeringar eller underlåtenhet att följa givna anvisningarna.

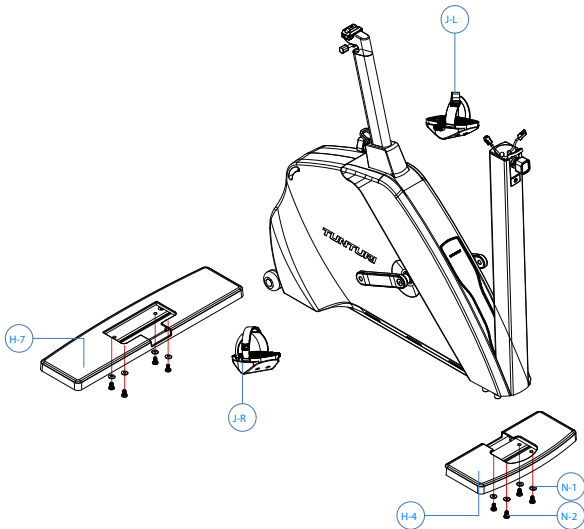
## MONTERING

Börja med att packa upp och kolla att du har följande delar:

1. Stomme
2. Bakre och främre stödet
3. Pedaler (2)
4. Styre
5. Mätare
6. Transformator
7. Monteringsatts (innehållet med \* i reservdelslistan): spara tillbehören, för du kan behöva dem bl.a. till att göra inställningar på redskapet.

Det finns en reservdelsförteckning i slutet av denna bruksanvisning. Om du märker ett problem, kontakta din handlare och uppge alltid modell och serienummer. I förpackningen finns det även en silikatpåse som absorberar fukt under lagring och transport. Släng påsen när du packat upp redskapet. Riktningarna vänster, höger, fram och bak används så som man uppfattar dem när man sitter i träningsställning. Vi rekommenderar att utrustningen installeras av två vuxna personer.

## FRÄMRE OCH BAKRE STÖD



Håll fast sätet samtidigt som du lutar utrustningen bakåt tills den lutar mot transporthjulen. Fäst det bakre stödet underifrån med fyra insexskruvar och brickor. Fäst det främre stödet till ramen med hjälp av fyra skruvar och brickor. Ställ tillbaka utrustningen i upprätt läge så att den vilar på stödfötterna.

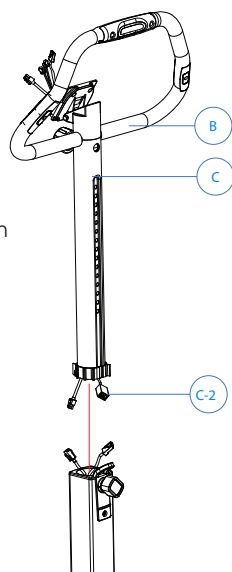
## PEDALER

Du ser skillnaden på pedalerna med markeringarna L (vänster) och R (höger) på axlarna. Montera den vänstra pedalen på den vänstra pedalleven genom att skriva den moturs och den högra pedalen på den högra pedalleven genom att skriva den medurs.

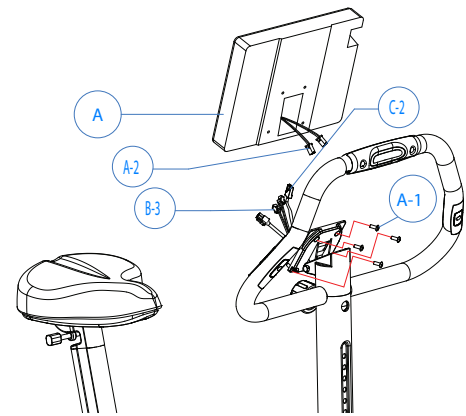
Fästa pedalrämmarna först i fästet på redskapet. Skjut in rämman genom sliden i pedalen och tryck rämöppningen på pedalens utsprång. Fästa rämmarna på pedalens yttersida. Skjut in rämman genom låsningsspännet; rämman låses automatiskt. Råmlängden kan justeras med hjälp av låsningsspännet.

## STYRE

Fäst kabeln som kommer från ramröret till kontakten på styrets undersida. Kontrollera att anslutningen sitter fast genom att dra lätt i ledningen. Lossa på låsratten för handstödet genom att vrida den moturs och sedan dra den utåt. För in den anslutna ledningen i stomröret. Sätt handstödet i stomröret. Släpp låsratten när du ställt in rätt nivå för handstödet. Kontrollera att stödet är låst. Dra åt låsratten genom att vrida den medurs.

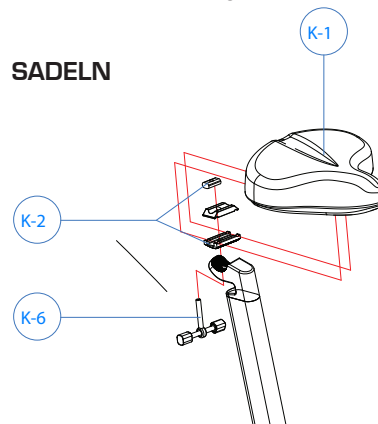


## MÄTARE



Anslut kablarna från styret till motsvarande kontakter på mätaren. För in de anslutna kablarna i mätaren men se till att de inte skadas när mätaren sätts fast. Placera mätaren vid änden av stödröret för styret och sätt fast den med 4 monteringskruvar.

## SADELN



Lossa låsskruven till sitzhållaren och vrid den övre låsspaken så att den är i linje med utrustningen. Placera sitsen på räfflorna på den nedre låsspaken. Vrid den övre låsspaken mot den övre delen av sittspåren och lås sitsen genom att dra åt låsskruven.

## NÄTSLADD

PAnslut nätsladden till uttaget ovanför det bakre stödbenet. Anslut transformatorns nätsladd till vägguttaget. Drag ur stickproppen efter varje träningspass. Kontrollera att nätsladden inte hamnar under redskapet.

Fäst kabeln som kommer från ramröret till kontakten på styrets undersida. Kontrollera att anslutningen sitter fast genom att dra lätt i ledningen. Lossa på låsratten för handstödet genom att vrida den moturs och sedan dra den utåt. För in den anslutna ledningen i stomröret. Sätt handstödet i stomröret. Släpp låsratten när du ställt in rätt nivå för handstödet. Kontrollera att stödet är låst. Dra åt låsratten genom att vrida den medurs.

## OBSERVERA OM MONTERING AV REDSKAPET

Börja med att packa upp redskapet. Detaljerade monteringsinstruktioner finns i slutet av den här guiden. Följ instruktionerna i angiven ordning. Kontrollera innehållet i paketet innan montering. Om en del saknas, kontakta din återförsäljare och uppge modell, serienummer på utrustningen och reservdelsnummer för den saknade delen. Det finns en reservdelsförteckning i slutet av denna bruksanvisning. Hårdvarusatsens innehåll har markerats med \* i reservdelslistan. Riktningarna vänster, höger, fram och bak används så som man



uppfattar dem när man sitter i träningsställning. Spara monteringsverktygen, eftersom du kan komma att behöva dem t.ex. för justering av redskapet. Observera att två personer behövs för monteringen.

I förpackningen finns det även en silikatpåse som absorberar fukt under lagring och transport. Släng påsen när du packat upp redskapet. Lämna minst 100 cm fritt utrymme runt redskapet. Vi rekommenderar även att förpackningen öppnas och produkten monteras samman på ett skyddande underlag.

Efter montering av redskapet sätts batterierna i på baksidan av konsolen.

## JUSTERINGAR

### JUSTERING AV SADELN

I regel justerar man sadelhöjden så att benet är nästan rakt när man håller pedalen mitt under foten i det lägsta läget. Justera sadelhöjden genom att lossa på fästskruven för sadelfästet och föra sadeln till lämplig höjd: håll fast sätet med en hand och dra med den andra handen låsratten utåt så att det går att skjuta styret uppåt och nedåt. När höjden är lämplig, släpp reglaget så låses sadeln på den höjden. Vrid reglaget medurs för att dra åt.

**!** **OBS!** Kontrollera alltid att reglaget är åtdraget innan du börjar träna!

### HANDSTÖDEN

Lossa låsvredet på framsidan av styret och hitta den rätta vinkeln för att positionera styret. Dra åt låsvredet. Styrets utformning gör så att du kan träna antingen i upprätt ställning eller med överdelen av kroppen lutad framåt. Kom dock ihåg, att alltid hålla ryggen rak.

**!** **OBS!** Kontrollera alltid att reglaget är åtdraget innan du börjar träna!

### JUSTERING AV STÖDFÖTTERNA

Om utrustningen inte är stabil justerar du justeringsskruvarna under stödfötterna.

## ATT TRÄNA MED TUNTURI

Motionscyklning är en utmärkt aerobisk motion. Grundidén är att motionen skall vara förhållandevis lätt, men räcka länge. Aerobisk motion bygger på en förbättring av den maximala syreupptagningsförmågan, som förbättrar uthålligheten och konditionen. Kroppens förmåga att använda fett som bränsle är direkt beroende av dess förmåga att transportera syre.

Aerobisk motion är framför allt angenäm. Du skall bli svettig, men du får inte bli andfådd. När du trampar skall du kunna prata, och inte bara flåsa. Du borde motionera minst tre gånger i veckan à 30 minuter. Detta ger dig en god baskondition. För att du skall kunna upprätthålla baskonditionen bör du motionera minst ett par gånger i veckan. När du har uppnått din baskondition, kan den lätt förbättras genom att du ökar antalet träningspass.

Det lönar sig att börja långsamt med låg tramphastighet och litet motstånd. En alltför hög belastning kan hos

överbiktiga personer belasta hjärtat och blodcirkulationen för mycket. Itakt med att konditionen förbättras, kan du småningom öka motståndet och tramphastigheten. Effekten kan du kontrollera med hjälp av pulsen.

### JUSTERING AV MOTSTÅNDET

Du kan öka eller minska motståndet med hjälp av reglaget upptill på handstödet. Om du vrider medsols (+) ökar motståndet och om du vrider motsols (-) minskar motståndet. Med hjälp av skalan (1-8) är det lätt att ställa in önskat motstånd.

## PULS

Oberoende av vilken din målsättning är när du bästa resultat genom att träna på rätt ansträngningsnivå och det bästa måttet på det är din puls.

### PULSMÄTNING MED SENSORER PÅ STYRET

Handpuls mäts med sensorer på styret. Sensorerna mäter elektriska impulser som uppkommer när hjärtat slår. Mätningen startas när sensorerna på båda sidor av styret vidrörs samtidigt. Huden måste vara något fuktig och i kontinuerlig kontakt med sensorerna för att pulsmätningen ska vara tillförlitlig. Om huden är för torr eller blöt påverkar det handpulsmätningens tillförlitlighet. Försök slappna av i överkroppen och handflatorna och håll handflatorna stilla på styret.

Ta först reda på din maximipuls, dvs. på vilken nivå pulsen inte längre stiger trots att ansträngningen höjs. Om du inte känner till din maximipuls, kan du använda följande formler som riktgivare:

### 220 - ÅLDERN

Maximipulsen varierar från person till person. Maximipulsen går i medeltal ner med en enhet per år. Om du hör till någon av de riskgrupper som nämndes ovan, be en läkare mäta din maximipuls åt dig. Vi har definierat tre olika pulsområden för att hjälpa dig när du sätter upp mål för träningen.

**NYBÖRJARE:** 50-60 % av maximipulsen

Denna nivå lämpar sig också för viktvaktare, rehabiliteringspatienter och personer som inte har tränat på länge. Tre träningspass i veckan på minst en halvtimme var rekommenderas. Regelbunden träning förbättrar andnings- och cirkulationskapaciteten hos nybörjare betydligt och du kommer snabbt att märka förbättringen.

**MOTIONÄR:** 60-70 % av maximipulsen

Denna nivå är perfekt för att förbättra och upprätthålla konditionen. Även en måttlig ansträngning utvecklar hjärtat och lungorna effektivt, om du tränar i minst 30 minuter åtminstone tre gånger i veckan. För att ytterligare förbättra din kondition, höj antingen träningsfrekvensen eller ansträngningen, men inte båda på samma gång!

**AKTIV IDROTTARE:** 70-80 % av maximipulsen

Träning på denna nivå lämpar sig bara för personer med mycket bra kondition och bör föregås av träning för lång uthållighet.

# MÄTAREN



## TANGENTER (PÅ SIDAN)

På/av-knapp  
Volym upp/ned  
Ljusstyrka upp/ned

## PEKSKÄRM

Denna monitor har en pekskärm. Tryck löst på knapparna på skärmen med fingrarna. Tryck inte hårt på skärmen, då kan pekskärmfunktionen skadas. Undvik att beröra skärmen med vassa föremål.

## MEDIA

Denna monitor har stöd för 2 USB-portar (FAT/FAT32-format) för uppspelning av mediefiler. Filtyper som stöds: MP3, AAC (MP4), Ogg Vorbis, WAV, MPEG-1, Ogg Theora, AVI, MKV, Ogg, MOV.  
Uppspelning av DRM-skyddade filer stöds inte.

Det finns även en iPod/iPhone-utgång (30 stift) som kan användas för att ansluta de flesta Apple-produkter. Du kan använda Media-knappen för att bläddra bland och spela upp musik från din iPod/iPhone. Det går inte att spela upp video via den här anslutningen. Du kan komma åt musikfiler i din iPod / iPhone i mappen user / Apple.

Obs! Denna monitor ger dig möjlighet att ansluta din iPod/iPhone men Tunturi ansvarar inte för skador på din iPod/iPhone på grund av anslutningen. Detta gäller både hård- och mjukvara.

## KNAPPAR PÅ SKÄRMEN

### 1. TRÄNING

Tryck på TRÄNING-knappen för att välja ett träningspass.

### 2. ANVÄNDARE

Tryck på ANVÄNDARE-knappen för att öppna motsvarande meny. Menyn USER innehåller följande funktioner: CREATE USER, SELECT/CHANGE USER, EDIT USER, DELETE USER, SETTINGS och USER LOG.

### 3. INTERNET

Tryck på den här knappen när du vill surfa på Internet (enbart vid trådlös anslutning).

### 4. E-BOKLÄSARE

Tryck på den här knappen för att öppna E-bokläsaren. Monitorn känner igen e-böcker som lagrats på USB-minnet. Läsbara format är: ePub, FictionBook (fb2), Plucker, Open E-book, Open Reader, Palmdoc, Psion Text, Mobipocket, vanlig text.

### 5. WIFI-INSTÄLLNINGAR

Med den här knappen kan du ställa in tverksanslutningen. Mer information finns i kapitlet INTERNET.

### 6. BAKÅT/STOPP

Använd knappen BAKÅT/STOPP när du vill gå tillbaka till huvudmenyn. Du kan när som helst stoppa eller göra paus i mätningen under träningspasset genom att trycka på knappen BAKÅT/STOPP.

### 7. ZOOM

Koncentrera dig på den grafiska displayen under träningen. Genom att trycka på ZOOM förstoras profilen (två, fyra, åtta eller sexton gångers förstoring) och en femte tryckning gör så att profilen återgår till normal storlek.

### 8. TANGENTBORD

Tryck på den här knappen när du vill visa eller dölja tangentbordet.

### 9. MEDIA-KNAPP

Tryck på mediaknappen när du vill öppna mediaspelaren. Spelaren känner automatiskt igen filmer (MPEG-1-format) och musik (MP3, WMV, WAV) och du kan välja och spela upp innehållet från USB-minnet.

## DISPLAY

Under träningen visas följande värden till vänster i displayen: tid, distans, energiförbrukning, belastning, RPM (varv/minut), puls och hastighet.

# ANVÄNDNING AV MÄTAREN

## Slå på mätaren

Mätaren aktiveras när strömmen kopplas på och du trycker på på/av-knappen på sidan av monitorn. Då visas MENYN TRAINING på mätarens display.

## Viloläge

Mätaren kopplas automatiskt bort, om du inte tryckt på knapparna eller använt redskapet på ca 5 minuter. Den övergår då till skärmläckarläge. Tryck på skärmen för att aktivera monitorn igen.

## Avstängning

Stäng av enheten genom att hålla på/av-knappen på monitorns sida intryckt i flera sekunder och koppla bort strömkällan från enheten.

Användargränssnittet sparar värdena från ett avbrutet träningspass under 5 minuter i minnet, varefter träningsvärdena nollställs. Du kan återuppta ett avbrutet träningspass genom att börja trampa inom 5 minuter.

Det visas meddelanden med tips och råd i displayen.

Meddelandena föregås av bokstaven "i" på vit bakgrund. Du kan stänga meddelandena med reglaget.

## MENYN USER

Du kommer till menyn USER genom att trycka på knappen ANVÄNDARE. Vi rekommenderar att du väljer ett användarnamn där du sparar dina personuppgifter. Uppgifterna används bl.a. till att uppskatta kaloriförbrukningen. Samtidigt kan du ställa in vilken enhet du vill använda, samt kontrollera redskapets totaltid och totaldistans. Om du väljer ett användarnamn kan du spara träningspasset och visa dina personliga pulsnivåer med olika färger när du pulstränar. När du har angett ett nytt användarnamn eller använder ett befintligt, visas namnet högst upp till höger i displayen. Du kan träna också utan att ange ett användarnamn. I så fall visas inget namn i displayen och standardinställningarna (45 år, 70 kg, man) används under träningspasset. Du kan spara användarinformation för 20 olika användare.

**!** **VIKTIGT!** Om du vill se dina egna träningspass som har sparats i användarloggen, måste du välja ditt eget användarnamn. Du kan även börja använda ett användarnamn mitt under träningspasset, genom att trycka på knappen ANVÄNDARE och sedan välja ditt namn. Träningspasset fortsätter utan avbrott. När du har valt ditt användarnamn kan du återgå till träningsinformationen genom att trycka på knappen BAKÅT/STOPP.

**!** **VIKTIGT!** Om du vill spara ditt träningspass måste du välja ett användarnamn.

## CREATE USER

Så här skapar du en användare:

1. Tryck på knappen ANVÄNDARE. Menyn USER visas.
2. Välj CREATE USER genom att rulla i listan. Bekräfta ditt val genom att trycka på funktionsfältet.
3. Välj språk genom att rulla i listan och bekräfta ditt val genom att trycka på funktionsfältet.
4. Skriv ditt namn med tangentbordet och bekräfta med Retur. Välj önskad måttenhet. (Metric 1 (kg, km, kcal), Metric 2 (kg, km, kJ) eller motsvarande brittiska enheter Imperial 1 (lb, mi, Kcal), Imperial 2 (lb, mi, kJ)). Välj alternativ genom att rulla i listan och bekräfta ditt val genom att trycka på funktionsfältet. Nästa inställning visas automatiskt.
6. Välj målvärde för inställningarna. COUNT DOWN visar minskande värden från målvärdet mot noll. COUNT UP visar ökande värden mot målvärdet. Bekräfta ditt val genom att trycka på funktionsfältet. Nästa inställning visas automatiskt.
7. Ange ditt kön genom att rulla i listan. Bekräfta ditt val.
8. Ange din ålder med reglaget. Bekräfta ditt val.
9. Ange din längd. Bekräfta ditt val.
10. Ange din vikt. Bekräfta ditt val.
11. Ange din maxpuls. Mätaren beräknar din maxpuls med formeln  $220 - \text{ålder}$ . Om du känner till din exakta maxpuls kan du ändra det uppskattade värdet.
12. Ange ditt anaeroba gränsvärde. Mätaren beräknar ditt gränspulsvärde utifrån din maxpuls (80 % av din maxpuls). Om du känner till ditt exakta anaeroba gränsvärde kan du ändra det uppskattade värdet.
13. Ange ditt aeroba gränsvärde. Mätaren beräknar ditt gränspulsvärde utifrån din maxpuls

(60 % av din maxpuls). Om du känner till ditt exakta aeroba gränsvärde kan du ändra det uppskattade värdet.

**!** **VIKTIGT!** Mätaren kan lagra 20 användarnamn åt gången.

## SELECT/CHANGE USER

När du har angett ditt användarnamn kan du aktivera det inför träningspasset genom att välja SELECT/CHANGE USER och bekräfta det genom att trycka på funktionsfältet.

## EDIT USER

Genom att välja EDIT USER kan du redigera din användarinformation.

## DELETE USER

Genom att välja DELETE USER kan du ta bort den markerade användaren.

## SETTINGS

Genom att välja SETTINGS kan du uppdatera den fasta programvaran i mätaren, ändra kontrasten i displayen, avläsa de sammanlagda värdena på cykeln och slå på eller stänga av ljudet.

## USER LOG

Genom att välja USER LOG kan du läsa träningsinformation om den valda användaren. Du kan få information om det senaste passet eller en sammanfattning av alla sparade träningspass. Stäng träningsinformationen genom att trycka på knappen BAKÅT/STOPP.

## MENYN TRAINING

Du kommer till menyn TRAINING genom att trycka på TRÄNING-knappen. På menyn TRAINING kan du välja bland följande träningspass genom att rulla i listan och trycka på funktionsfältet.

## QUICK START

Du kan reglera belastningen under träningspasset med hjälp av funktionsväljaren. Genom val av denna funktion kan du reglera motståndet med funktionsväljaren under träningen.

1. Välj QUICK START. Bekräfta ditt val genom att trycka på funktionsfältet och starta träningspasset genom att börja trampa.
2. Du kan öka eller minska motståndet (1-58 Nm) med hjälp av reglaget till höger.
3. Tryck på knappen BAKÅT/STOPP när du vill stoppa passet. Du kan sedan stoppa träningspasset genom att välja EXIT, spara informationen i minnet genom att trycka på SAVE AND EXIT eller fortsätta träna genom att välja CONTINUE.

## MANUAL

Du kan reglera belastningen under träningspasset med hjälp av reglaget. Genom val av denna funktion kan du reglera motståndet med funktionsväljaren under träningen.

1. Välj MANUAL.
2. Välj målvärde för passet med hjälp av reglaget: tid, distans eller energiförbrukning. Bekräfta ditt val genom att trycka på valknappen.
3. Ställ in målvärdet för träningspasset med hjälp av

reglaget: tid (10-180 minuter), distans (3-100 km) eller energiförbrukning (50-2 000 kcal). Bekräfta ditt val genom att trycka på valknappen.

4. Starta träningspasset genom att börja trampa. Du kan öka eller minska motståndet (1-58 Nm) med hjälp av reglaget. Du kan när som helst under träningen visa motståndet eller pulsen med hjälp av knappen längst ned på skärmen.

5. När du har nått ditt målvärde ger mätaren ifrån sig en ljudsignal. Om du vill, kan du försätta att träna.

6. Tryck på knappen BAKÅT/STOPP när du vill stoppa passet. Du kan sedan stoppa träningspasset genom att välja EXIT, spara informationen i minnet genom att trycka på SAVE AND EXIT eller fortsätta träna genom att välja CONTINUE.

## ANVÄNDNING AV PROGRAMMET MED KONSTANT PULS (TARGET HR)

Genom val av TARGET HR - dvs. konstantpulsprogrammet - kan du ställa in önskat pulsvärde. Redskapet styr då belastningen så att pulsen hålls på önskad nivå. När pulsen höjs sjunker belastningen - och tvärtom. Det inställda pulsvärdet kan också ändras under pågående träning. Användningen av konstantpulsprogrammet förutsätter pulsmätning under träningen.

1. Välj TARGET HR.
2. Ange pulsnivån (80-220) för passet med hjälp av reglaget. Bekräfta ditt val.
3. Välj med hjälp av reglaget hur länge passet ska pågå, mätt i tid, distans eller energiförbrukning. Bekräfta ditt val genom att trycka på valknappen.
4. Ställ in målvärdet för träningspasset med hjälp av reglaget: tid (10-180 minuter), distans (3-100 km) eller energiförbrukning (200-8 000 kcal). Bekräfta ditt val genom att trycka på valknappen.
5. Starta träningspasset genom att börja trampa. Du kan ändra pulsnivån med hjälp av reglaget (80-220). Du kan när som helst under träningspasset visa motståndet eller pulsen med hjälp av knappen längst ned på skärmen.
6. När du har nått ditt målvärde ger mätaren ifrån sig en ljudsignal. Om du vill, kan du försätta att träna.
7. Tryck på knappen BAKÅT/STOPP när du vill stoppa passet. Du kan sedan stoppa träningspasset genom att välja EXIT, spara informationen i minnet genom att trycka på SAVE AND EXIT eller fortsätta träna genom att välja CONTINUE.

## WATT-KONTROLL

Med programmet WATT-KONTROLL kan du ställa in önskad belastning i antal watt så att belastningen styrs utifrån tramphastigheten. Det inställda värdet kan också ändras under pågående träning.

1. Välj WATT-KONTROLL.
2. Ange belastningen (20-600 W) med hjälp av reglaget. Bekräfta ditt val genom att trycka på valknappen.
3. Välj hur länge passet ska pågå, mätt i tid, distans eller energiförbrukning. Bekräfta ditt val.
4. Ställ in målvärdet för träningspasset: tid (10-180 minuter), distans (3-100 km) eller energiförbrukning (200-8 000 kcal). Bekräfta ditt val.
5. Starta träningspasset genom att börja trampa. Du kan öka eller minska motståndet (20-600 V) med hjälp

av reglaget. Du kan under träningen visa belastningen eller pulsen.

6. När du har nått ditt målvärde ger mätaren ifrån sig en ljudsignal. Om du vill, kan du försätta att träna.

7. Tryck på knappen BAKÅT/STOPP när du vill stoppa

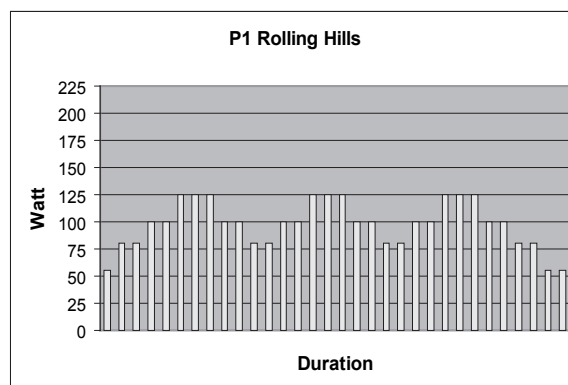
passet. Du kan sedan stoppa träningspasset genom att välja EXIT, spara informationen i minnet genom att trycka på SAVE AND EXIT eller fortsätta träna genom att välja CONTINUE.

## PROGRAM

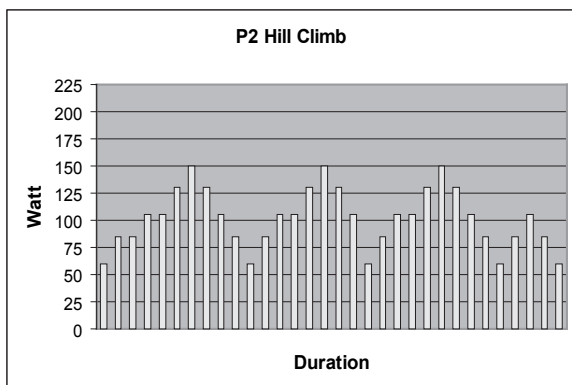
PROGRAMS erbjuder individuella, enskilda träningspass, s.k. träningsprofiler, där motståndet varierar på ett förutbestämt sätt. Det inställda pulsvärdet kan också ändras under pågående träning.

1. Välj PROGRAMS.
2. Välj ett program (1-10) i listan och tryck på urvalsfältet. Profilerna P1-P5 är program med konstant belastning och P6-P10 är målpulsprogram som förutsätter pulsmätning. Bekräfta ditt val genom att trycka på funktionsväljaren.
3. Ange hur länge passet ska pågå, mätt i tid eller distans. Bekräfta ditt val.
4. Ange målvärdet: tid (10-180 minuter) eller distans (3-100 km). Bekräfta ditt val.
5. Starta programmet genom att börja trampa. Du kan öka eller minska motståndet med hjälp av reglaget. Du kan när som helst under träningen visa belastningen eller pulsen. Pulsvärdet förutsätter pulsmätning.
6. När du har nått ditt målvärde ger mätaren ifrån sig en ljudsignal. Om du vill, kan du försätta att träna.
7. Tryck på knappen BAKÅT/STOPP när du vill stoppa passet. Du kan sedan stoppa träningspasset genom att välja EXIT, spara informationen i minnet genom att trycka på SAVE AND EXIT eller fortsätta träna genom att välja CONTINUE.

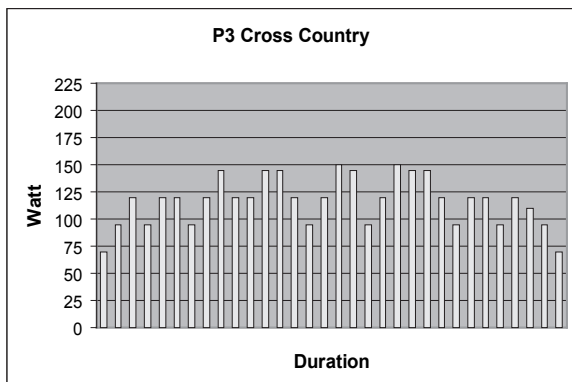
**PROFIL P1.** Effektbaserad profil med tre toppar för förbättrande av syreupptagningsförmåga. Topparna är tämligen långvariga, men låga. Profilen passar nybörjare. Med normalvärdena, medeleffekten är 98 watt, den maximala effekten är 125 watt.



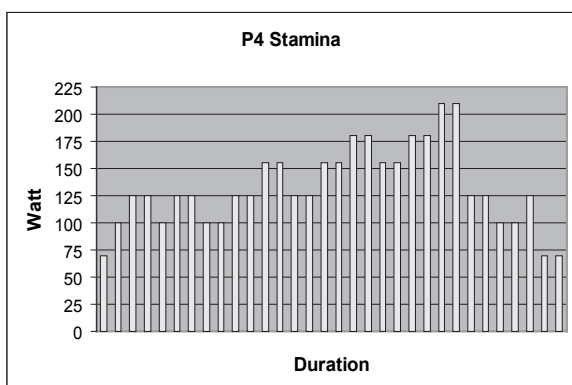
**PROFIL P2.** Effektbaserad profil med tre toppar för förbättrande av syreupptagningsförmåga. Topparna är tämligen kortvariga. Profilen passar nybörjare. Med normalvärdena, medeleffekten är 102 watt, den maximala effekten är 150 watt.



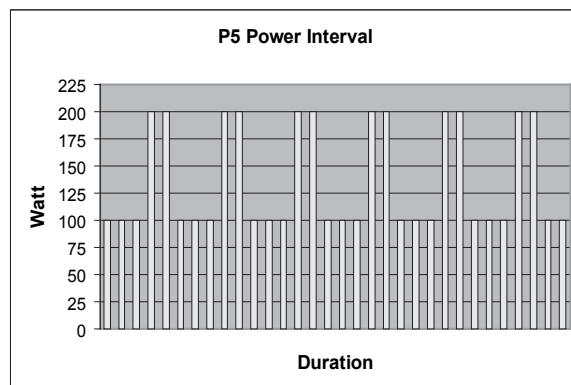
**PROFIL P3.** Effektbaserad profil med flera toppar för förbättrande av snabbstyrka. Variationerna i effektnivåerna är oregelbundna och topparna är tämligen kortvariga. Profilen passar alla. Med normalvärdena, medeleffekten är 117 watt, den maximala effekten är 150 watt.



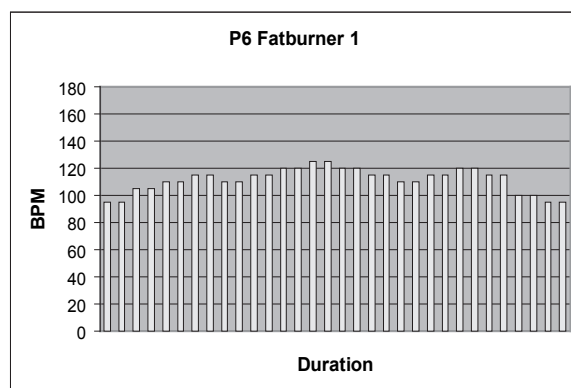
**PROFIL P4.** Effektbaserad motlutsprofil för förbättrande av uthållighet. De tämligen långvariga topparna är oavbrutet stegrande ända fram till slutskedet av profilen. Profilen passar i synnerhet personer med god kondition. Med normalvärdena, medeleffekten är 133 watt, den maximala effekten är 210 watt.



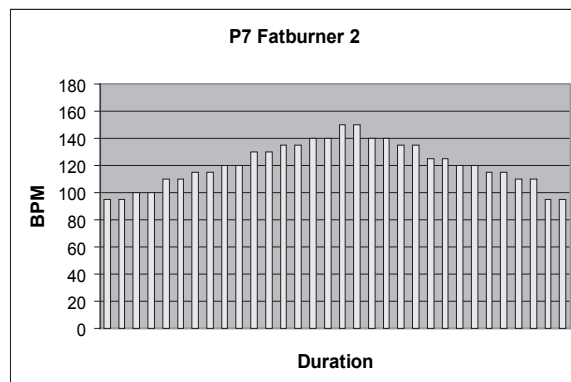
**PROFILE P5.** En träningsprofil för intervallträning, med en tydlig differens mellan hög och låg effektnivå. Medeleffekt 138 W, topp effekt 200 W. Observera att med denna profilen kan du skala topp- och grundnivåerna separat.



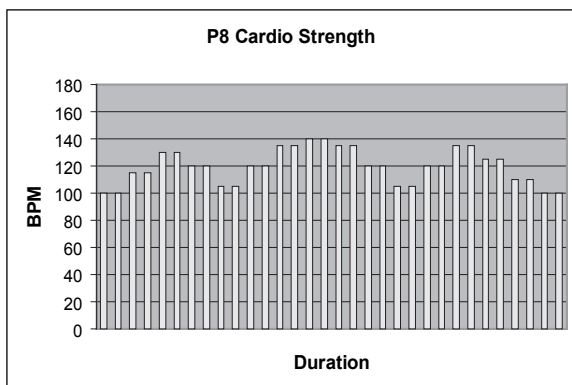
**PROFIL P6.** Pulsbaserad profil med tre toppar för förbättrande av syreupptagningsförmåga. Topparna är tämligen långvariga. Profilen passar även nybörjare. Med normalvärdena, medelpulsvärdet är 112 och det maximala puls värdet 125.



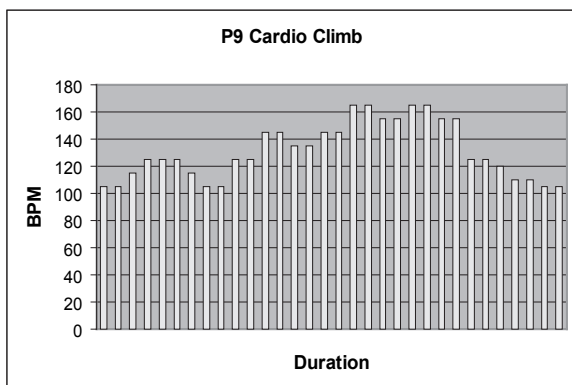
**PROFIL P7.** Pulsbaserad motlutsprofil där pulsen stiger jämnt halvvägs genom profilen och börjar sedan gå ned i jämn takt. Profilen passar även nybörjare. Med normalvärdena, medelpulsvärdet är 121 och det maximala puls värdet 150.



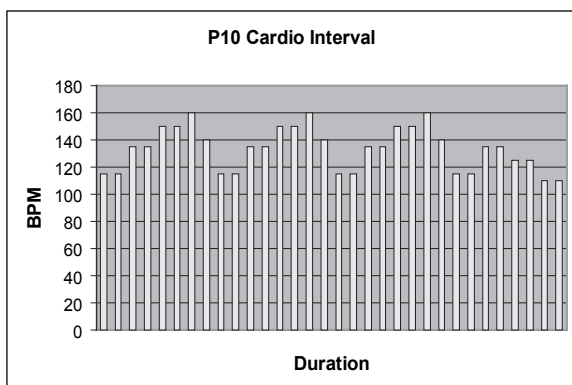
**PROFIL P8.** Pulsbaserad profil med tre toppar för förbättrande av uthållighet. Topparna är tämligen långvariga, men pulsnivån är rätt så jämn genom hela profilen. Profilen passar alla. Med normalvärdena, medelpulsvärdet är 120 och det maximala puls värdet 140.



**PROFIL P9.** Pulsbaserad motlutsprofil för förbättrande av uthållighet. De tämligen långvariga topparna är oavbrutet stegrande ända fram till slutskedet av profilen. Profilen passar i synnerhet personer med god kondition. Med normalvärdena, medelpulsvärdet är 131 och det maximala puls värdet 170.



**PROFIL P10.** Pulsbaserad profil med tre toppar för förbättrande av syreupptagningsförmåga. Tämligen långvariga toppar som åtföljs av jämna återhämningsperioder. Profilen passar i synnerhet personer med god kondition. Med normalvärdena, medelpulsvärdet är 133 och det maximala puls värdet.



### T-RIDE

T-RIDE-programmet simulerar cykling i naturlig terräng. Du kan när som helst under träningen byta växel och se terrängprofilen med hjälp av reglaget.

1. Välj T-RIDE.
2. Välj terräng och bekräfta ditt val.
3. Ange en startpunkt genom att trycka på profilen och bekräfta genom att trycka på knappen.

4. Ange en slutpunkt genom att trycka på profilen och bekräfta genom att trycka på knappen.
5. Starta träningspasset genom att börja trampa. Du kan byta växel (1–8) med hjälp av reglaget. Du kan när som helst under träningen visa terrängprofilen eller pulsen. Pulsvärdet förutsätter pulsmätning.
6. När du har nått ditt mål avges en ljudsignal och träningspasset stoppas.
7. Tryck på knappen BAKÅT/STOPP när du vill stoppa passet. Du kan sedan stoppa träningspasset genom att välja EXIT, spara informationen i minnet genom att trycka på SAVE AND EXIT eller fortsätta träna genom att välja CONTINUE.

### T-ROAD

**! VIKTIGT!** Du kan bara använda programmet T-ROAD när minneskortet har satts in i mätaren. T-ROAD liknar T-RIDE, men med T-ROAD kan du även se din väg på video. Du kan när som helst under träningen visa terrängprofilen eller videon med hjälp av funktionsväljaren.

### T-MUSIC

**! VIKTIGT!** Du kan bara använda programmet T-MUSIC när minneskortet har satts in i mätaren. T-MUSIC-programmen är pulsstyra. Tempot i musiken ändras utifrån pulsen i träningspasset. T-MUSIC-programmet är 40 minuter långt. Du kan inte ändra pulsinställningen under träningspassets gång. Programmet förutsätter pulsmätning.

1. Välj T-MUSIC.
2. Välj ett program (1-3) genom att rulla i listan. Bekräfta ditt val genom att trycka på urvals fältet.
3. Starta programmet genom att börja trampa. Du kan när som helst under träningen visa belastningen eller pulsen med hjälp av knappen längst ned på skärmen.
4. Efter 40 minuter avges en ljudsignal och träningspasset stoppas.
5. Tryck på knappen BAKÅT/STOPP när du vill stoppa passet. Du kan sedan stoppa träningspasset genom att välja EXIT, spara informationen i minnet genom att trycka på SAVE AND EXIT eller fortsätta träna genom att välja CONTINUE.

### OWN TRAINING

Du kan skapa och spara 100 träningsprogram på mätaren.

#### SPARA ETT PROGRAM

1. Avsluta träningspasset genom att trycka på knappen BAKÅT/STOPP.
2. Välj SAVE AND EXIT och bekräfta ditt val.
3. Skriv ett namn på träningspasset och tryck på Retur.

**! VIKTIGT!** Du kan bara spara program som är minst 10 minuter långa.

**! IMPORTANT!** Du måste välja ett användarnamn för att kunna spara ett träningspass.

#### ANVÄNDA SPARADE PROGRAM

1. Välj OWN TRAINING.
2. Välj ett träningspass i listan.
3. Välj önskad metod:

- A) Omspel = repeterar sparad träningsprofil  
 B) Ändra = bearbetar den sparade träningsprofilens tid innan start  
 C) Tävlning = tävlar mot en sparad träningsprofil. VIKTIGT! Tävlingsfunktionen fungerar endast med manuella träningsprofiler. Motståndet redovisas i Slenheten newtonmeter (Nm).
4. Bekräfta ditt val genom att trycka på urvalsknappen.  
 A) Omspel = påbörja träningen genom att börja trampa. Du kan skala programmets motståndseffekt med reglaget.  
 B) Ändra = träningsprofilens tid kan bearbetas med reglaget (ställ in tiden, 10–180 minuter). Påbörja träningen genom att börja trampa. Du kan skala programmets motståndseffekt med reglaget.  
 C) Race = Välj läge genom att rulla i listan (tid: distansen du kan trampa under en angiven tid, eller distans: hur snabbt du kan cykla en angiven distans). Bekräfta ditt val med urvalsknappen. Ett tidigare sparad program visas i displayen. Starta loppet genom att börja trampa. Den streckade linjen i displayen visar om du ligger före eller efter normalvärdet, det vill säga det senast sparade träningspasset som använts med det aktuella programmet. Avståndet till det sparade passet visas med en ljusblå lodrät streckad linje. Ditt resultat visas med en svart vågrät streckad linje.
5. Tryck på knappen BAKÅT/STOPP när du vill stoppa passet. Du kan sedan stoppa träningspasset genom att välja EXIT, spara informationen i minnet genom att trycka på SAVE AND EXIT eller fortsätta träna genom att välja CONTINUE.

## FITNESS TEST

Efter testet visas information om din konditionsnivå i form av en beskrivning och ett siffervärde (ml/kg/min).

## FÖRBEREDELSE INFÖR TESTET

- Kontrollera att informationen under ditt användarnamn är aktuell. Konditionstestet utgår från dessa uppgifter.
- Välj FITNESS TEST.
- Välj lämplig konditionskategori genom att rulla i listan:  
 A) inaktiv = ingen konditionsträning, svag fysisk kondition  
 B) aktiv = konditionstränar, medelgod eller god fysisk kondition  
 C) atlet = aktiv idrottare, god eller utmärkt kondition
- Displayen visar konditionsklassernas motsvarande testmodell.  
 A) Tid/steg = effektnivåns varaktighet under test  
 B) Effektökning/steg = ett stegs effektnivå (fast värde W); testet består av flera steg  
 C) Första steget = effektnivå vid start
- Bekräfta ditt val genom att trycka på urvalsknappen.
- Vid behov kan du ändra ditt målpulsvärde med hjälp av reglaget. Bekräfta inställningarna med hjälp av urvalsknappen.
- Det visas ett meddelande i displayen om att du kan stoppa testet när du når målpulsvärdet. Starta testet genom att trycka på knappen.

## PÅBÖRJA TEST

- Displayen visar den valda stegmodellen. Påbörja testet genom att börja trampa. Din pulskurva visas som en röd kurva på displayen och kurvan uppdateras allteftersom testet fortskrider. Målpulsnivån visas som en röd streckad

linje.

- När din puls når målnivån, ger mätaren ifrån sig en ljudsignal och displayen visar resultatet. Vi rekommenderar att du avslutar testet i detta läget, men i det fall din kondition är tillräckligt bra kan du fortsätta. Om din puls har nått målnivån (eller om du själv har preciserat den maximala pulsnivån) hjälper det inte att fortsätta för att bättra på testets resultat. Om du överskattar din maxpuls blir också din konditionsnivå överskattad. Om du underskattar din maxpuls blir också din konditionsnivå underskattad.
- Tryck på knappen BAKÅT/STOPP eller sluta trampa när du har nått målpulsnivån och vill stoppa testet. Mätaren visar då följande resultat:

A) aerobisk kondition = beräkning av din konditionsnivå på den effektnivå du använder mest och som bäst visar ditt fysiska hälsotillstånd.

B) MET = beräkning som visar hur många gånger din syreupptagningsförmåga kan förbättras i jämförelse med fullständig vila.

C) ml/kg/min = beräkning som visar hur många milliliter syre din syreupptagningsförmåga förbrukar i minuten i förhållande till din kroppsvikt.

D) l/min = beräkning som visar hur många liter syre du förbrukar per minut. Skillnaden mot ovanstående beräkning är att denna inte har kroppsvikten med i beräkningen.

E) Wmax = maximal effektnivå i watt.

F) W/kg = den maximala effektnivån och viktens relationstal.

## MINNESKORT

Minneskortet innehåller alla T-ROAD- och T-MUSIC program samt vissa T-RIDE-program.



**VIKTIGT!** Programmen på minneskortet kan bara användas om minneskortet sätts i kortplatsen i mätaren.

MÄN / MAXIMAL SYREUPPTAGNINGSKAPACITET (VO2MAX)							
1 = MYCKET LÅG, 7 = UTMÄRKT							
	1	2	3	4	5	6	7
18-19	<33	33-38	39-44	45-51	52-57	58-63	>63
20-24	<32	32-37	38-43	44-50	51-56	57-62	>62
25-29	<31	31-35	36-42	43-48	49-53	54-59	>59
30-34	<29	29-34	35-40	41-45	46-51	52-56	>56
35-39	<28	28-32	33-38	39-43	44-48	49-54	>54
40-44	<26	26-31	32-35	36-41	42-46	47-51	>51
45-49	<25	25-29	30-34	35-39	40-43	44-48	>48
50-54	<24	24-27	28-32	33-36	37-41	42-46	>46
55-59	<22	22-26	27-30	31-34	35-39	40-43	>43
60-65	<21	21-24	25-28	29-32	33-36	37-40	>40
60-65	<21	21-24	25-28	29-32	33-36	37-40	>40

KVINNOR / MAXIMAL SYREUPPTAGNINGSKAPACITET (VO2MAX)							
1 = MYCKET LÅG, 7 = UTMÄRKT							
	1	2	3	4	5	6	7
18-19	<28	28-32	33-37	38-42	43-47	48-52	>52
20-24	<27	27-31	32-36	37-41	42-46	47-51	>51
25-29	<26	26-30	31-35	36-40	41-44	45-49	>49
30-34	<25	25-29	30-33	34-37	38-42	43-46	>46
35-39	<24	24-27	28-31	32-35	36-40	41-44	>44
40-44	<22	22-25	26-29	30-33	34-37	38-41	>41
45-49	<21	21-23	24-27	28-31	32-35	36-38	>38
50-54	<19	19-22	23-25	26-29	30-32	33-36	>36
55-59	<18	18-20	21-23	24-27	28-30	31-33	>33
60-65	<16	16-18	19-21	22-24	25-27	28-30	>30
60-65	<16	16-18	19-21	22-24	25-27	28-30	>30

## MINNESKORT

Minneskortet innehåller alla T-ROAD- och T-MUSIC program samt vissa T-RIDE-program.

**!** **VIKTIGT!** Programmen på minneskortet kan bara användas om minneskortet sätts i kortplatsen i mätaren.

## INTERNET

### Konfigurera en Internetanslutning.

1. Tryck på Wi-Fi-knappen för att ställa in Wi-Fi.
2. Välj ett befintligt nätverk i listan eller välj Manuell inställning om du vill skapa en ny nätverksanslutning. OBS! Monitorn har inte stöd för trådlösa nätverket med dolt SSID.
3. Ange namnet på nätverket.
4. Välj en säkerhetstyp (kontakta leverantören av ditt trådlösa nätverk om du vill ha en förklaring av säkerhetstyperna).
5. Ange rätt säkerhetsnyckel (Lösenord). Observera att de är skiftlägeskänsliga.
6. Välj anslutningsläge: Manuell eller automatisk anslutning.

Om du har problem med anslutningen kontaktar du din Internetleverantör.

### **!** Varning:

Kontrollera ditt Internetabonnemang. Beroende på vilken typ av avtal du har måste du kanske betala för dataöverföringen eller tiden. Om du väljer automatisk anslutning skapas en konstant anslutning som kan leda till användning av stora datamängder. Du kan välja manuellt läge om du vill ange manuellt när anslutningen ska skapas. Tänk på att koppla från Wi-Fi-anslutningen när du slutar träna. Anslutningen är nämligen aktiv i viloläge också. Tunturi ansvarar inte för kostnader som uppfyller i samband med Internetanslutningen. Vi tillhandahåller enbart ett sätt att ansluta till befintliga nätverk, oavsett kostnaderna.

### Använda Internet

Webbläsaren i monitorn kan användas för att surfa på Internet. Filer av en begränsad storlek kan hämtas och användas på monitorn (cirka 60 MB). Det är enbart mediefiler som kan användas. Tänk på att den här webbläsaren inte är kompatibel med Flash-filmer och inte kan visa Flash-innehåll.

## Ansvarsfriskrivning

Tänk på att användning av Internet (surfning och nedladdning) samt användning av externa enheter (USB/iPOD) medför vissa risker för monitorn. Tunturi ansvarar inte för skador som orsakas av Internet och externa enheter, virus, spionprogram eller skadlig programvara. Använd alltid betrodda webbplatser och genomsök externa enheter med avseende på virus/spionprogram/skadlig programvara innan du använder dem på monitorn.

## PROGRAMVARUUPPDATERING

Vi strävar kontinuerligt efter att förbättra vår kvalitet. Besök vår webbplats regelbundet [www.tunturi.com](http://www.tunturi.com) för att se om det finns programvaruuppdateringar som kan förbättra monitorns funktion och prestanda.

# UNDERHÅLL

Modellen kräver så gott som inget underhåll. Kontrollera dock ibland att alla skruvar och muttrar är åtdragna.

- Vänligen rengör redskapet efter träningen med en mjuk absorberande duk. Använd inga lösningsmedel.
- Ta aldrig bort skyddskåporna på redskapet!

## BYTA UT BATTERIER

Byt ut mätarens batterier om inte mätaren startar längre eller om displayen blir störande mörk. Ta bort batterihöljet där bak och ta bort de gamla batterierna. Sätt i de nya batterierna i batterihållaren och tryck tillbaka batterihöljet. **VIKTIGT:** Observera markeringarna + och - på batterihållaren.

# TRANSPORT OCH FÖRVARING

Vänligen följ nedanstående instruktioner när du vill flytta på redskapet, eftersom du med fellyft kan sträcka ryggen eller löpa risk för andra skador:

Ställ dig bakom cykeln. Ta tag i sadeln med den ena handen och i handstödet med den andra, och placera en fot på det bakre stödet. Lyft upp frampartiet av redskapet så att den bakre delen vilar på transportrullarna. Flytta cykeln till önskad plats genom att rulla den fram. Sänk ned frampartiet medan du håller ett stadigt grepp om handstödet. Stå själv hela tiden bakom redskapet.

För att försäkra sig om att redskapet fungerar felfritt bör man förvara det på ett torrt och dammfritt ställe med så jämn temperatur som möjligt.



# TEKNISKA DATA


---

Längd	99 cm
Bredd	70 cm
Höjd	116 cm
Vikt	46 kg

Denna produkt uppfyller kraven i EU:s EMC-direktiv gällande elektromagnetisk kompatibilitet (89/336/EEC) och elutrustning som utformats för användning inom vissa gränser för spänningen (73/23/EEC). Därför är denna produkt CE-märkt.

Denna produkt uppfyller EN standarden för precision och säkerhet (Klass SA, EN-957, del 1 och 5).

På grund av vår policy för kontinuerlig produktutveckling förbehåller vi, Tunturi, oss rätten till ändringar.

 **OBS!** Garantin gäller inte skador som uppkommit pga. underlåtagande att iaktta de instruktioner för montering, justering och underhåll som beskrivits här. Instruktionerna måste följas noggrant vid montering, användning och underhåll av redskapet. Redskapet som modifieras eller förändras på ett sätt som inte är godkänt av Accell Fitness får inte användas.

**VI ÖNSKAR DIG MYCKET NÖJE I TRÄNINGEN MED DIN NYA TRÄNINGSPARTNER FRÅN TUNTURI.**

## SISÄLTÖ

KUNTOLAITTEESI ASENNUS	83
SÄÄDÖT	84
HARJOITTELU	84
MITTARI	85
MITTARIN KÄYTTÖ	86
HUOLTO	91
KULJETUS JA SÄILYTYS	92
TEKNISET TIEDOT	92

### TERVETULOA TUNTURI-KUNTOILIJOIDEN JOUKKOON!

Valintasi osoittaa, että tahdot todella huolehtia kunnostasi; valintasi osoittaa myös sen, että arvostat korkeaa laatua ja tyylikkyyttä. Tunturikuntolaitteen myötä olet valinnut korkealuokkaisen, turvallisen ja harjoitteluun motivoivan kuntolaitteen harjoituskumppaniksesi. Olkoon tavoitteesi kuntoiluun saralla mikä tahansa, olemme varmoja, että tällä kuntolaitteella tulet tavoitteesi saavuttamaan. Lisätietoja Tunturin kuntolaitteista sekä harjoittelusta löydät internetistä Tunturin kotisivuilta WWW.TUNTURI.COM.

## HUOMAUTUKSET JA VAROITUKSET

Tämä opas on olennainen osa kuntolaitettasi. Perehdy ohjeisiin huolellisesti ennen kuin asennat, käytät tai huollat kuntolaitettasi. Sinun tulee ehdottomasti säilyttää tämä opas, sillä jatkossa se opastaa Sinua niin kuntolaitteesi tehokkaaseen käyttöön kuin huoltoonkin. Muista aina noudattaa tämän oppaan ohjeita.

### HUOMIOITAVAA TERVEYDESTÄSI

- Ennen harjoittelun aloittamista käy varmistuttamassa terveydentilasi lääkärillä.
- Jos harjoittelun aikana tunnet pahoinvointia, huimausta tai muita epänormaaleja oireita, keskeytä harjoittelu välittömästi ja ota yhteys lääkäriin.
- Estääksesi lihasten venähtämisen tai kipeytymisen aloita ja päätä jokainen harjoituskerta verryttelyllä (hidasta poljentaa alhaisella vastuksella). Muista myös venyttää harjoittelun päätteeksi.

### HUOMIOITAVAA HARJOITTELU-YMPÄRISTÖSTÄ

- Sijoita laite mahdollisimman tasaiselle alustalle. Suojaa lattia laitteen alla mahdollisten lattiaan kohdistuvien vahinkojen välttämiseksi.
- Huolehdi, että harjoitteluympäristö on riittävän hyvin ilmastoitunut. Vilustumisen estämiseksi vältä kuitenkin harjoittelua vetoisissa tiloissa.
- Harjoitteluolosuhteissa laite kestää lämpötiloja +10 asteesta +35 asteeseen. Varastoitaessa laite kestää lämpötiloja -15 asteesta +40 asteeseen. Missään tapauksessa ilman kosteus ei saa ylittää 90 %.

### HUOMIOITAVAA LAITTEEN KÄYTÖSTÄ

- Vanhempien tai muiden lapsista vastuussa olevien tulee ottaa huomioon, että lapsen luonnollinen leikkimistarve ja kokeilunhalu saattavat johtaa tilanteisiin tai käyttäytymiseen, johon laitetta ei ole suunniteltu. Mikäli lasten annetaan käyttää laitetta, vanhempien tai muiden vastuullisten tulee ottaa huomioon lasten sekä henkinen että fyysinen kehitys ja ennen kaikkea luonne. Lapsia tulee valvoa ja opastaa kuntopyörän oikeassa käytössä. Laite ei ole missään tapauksessa tarkoitettu leikkikaluksi.

- Varmista ennen harjoittelun aloittamista, että laite on kaikin puolin kunnossa. Älä koskaan käytä viallista laitetta.
- Vain yksi henkilö kerrallaan saa harjoitella laitteella.
- Siirry laitteelle ja laitteelta ottaen tukea käsikahvoista.
- Käytä harjoittelun aikana asianmukaisia vaatteita ja kenkiä.
- Älä käytä laitetta ilman että suojakotelot ovat paikallaan.
- Älä yritä tehdä laitteelle muita kuin tässä ohjekirjassa kuvattuja säätöjä tai huoltotoimenpiteitä. Annettuja huolto-ohjeita on noudatettava.
- Paina mittaripainikkeita sormenpäällä; kynnet voivat vaurioittaa painikkeita.
- Vältä käyttöösi joutumista kosketuksiin veden kanssa. Kuivaa käyttöliittymän pinta aina, mikäli sen päälle on tippunut hikivettä. Käytä kuivaamiseen pehmeää, imukykyistä liinaa. Älä käytä liuottimia käyttöliittymäsi puhdistukseen.
- Suojaa käyttöliittymäsi liialta auringonvalolta, joka saattaa haalistaa kotelon ja pintakalvon värejä.
- Laitteen ehdoton enimmäiskäyttäjänpaino on 150 kg.
- Tarkempia tietoja kuntolaitteesi takuusta löydät laitteen mukana toimitetusta takuukirjasesta. Huomaa, että takuu ei korvaa mitään vahinkoja, jotka ovat aiheutuneet tässä ohjekirjassa mainittujen asennus-, säätö- ja huolto-ohjeiden laiminlyönneistä.

### LAITTEEN ASENNUKSESTA

Aloita asennus avaamalla pakkaus. Yksityiskohtaiset asennusohjeet löydät tämän käyttöohjeen takaosasta. Noudata asennusohjeita annetussa järjestyksessä.

Tarkista ennen asennusta, että pakkaus sisältää kaikki asennusohjeessa mainitut osat. Mikäli joku osista puuttuu, selvitä laitteesi malli, sarjanumero ja puuttuvan osan varaosanimike. (Varaosaluettelon löydät tämän käyttöohjeen takaosasta.) Ota sitten ystävällisesti yhteyttä kauppiaseen, jolta olet laitteesi hankkinut. Asennuspakkauksessa olevat osat on merkitty varaosaluetteloon \* merkillä. Suunnat vasen, oikea, etu ja taka on määritelty harjoitteluasennosta katsottuna. Säilytä työkalut, sillä saatat tarvita niitä myöhemmin, kun esimerkiksi säädät kuntolaitettasi. Huomaa, että laitteen asentamiseen tarvitaan kaksi ihmistä.

Pakkaus sisältää silikaattipussin ilman kosteuden imemiseksi varastoinnin ja kuljetuksen aikana. Ole hyvä ja heitä pussi pois, kun olet asentanut laitteesi. Laitetta asentaessasi tarvitset vähintään 100 cm vapaata tilaa laitteen ympärille kaikkissa suunnissa. Avaa pakkaus ja asenna laite suojatulla alustalla.

Kun asennus on valmis, asenna vielä paristot käyttöliittymän takaosassa olevaan paristokoteloon.

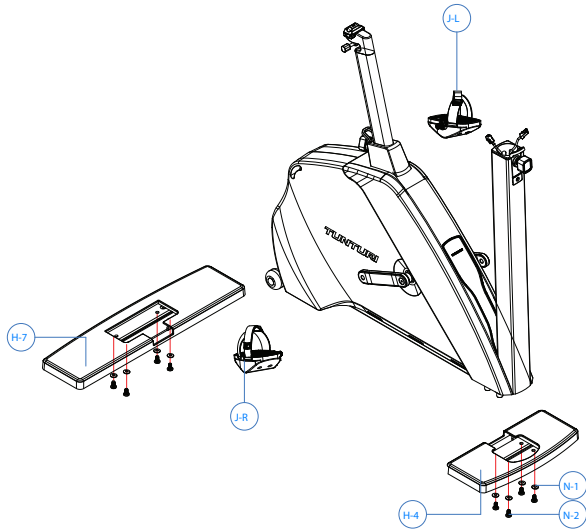
### SÄILYTÄ TÄMÄ KÄYTTÖOHJE!

# KUNTOLAITTEESI ASENNUS

Aloita tarkistamalla, että pakkaus sisältää seuraavat osat:

1. Runko
  2. Taka- ja etutukijalka
  3. Polkimet (2 kpl)
  4. Käsituki
  5. Käyttöliittymä
  6. Muuntaja
  7. Asennustarvikkeet (sisältö merkitty \*:lla varaosaluetteloon): säästä asennustarvikkeet, sillä voit tarvita niitä mm. laitteen säätämiseen)
- Ota ongelmatilanteissa yhteys laitteen myyjään. Pakkauksessa on laitteen kuljetuksen ja varastoinnin aikana kosteutta imevä silikaattipussi. Kun olet avannut pakkauksen, voit hävittää silikaattipussin heittämällä sen roskiin. Ohjeessa mainitut suunnat oikea, vasen, etu ja taka on määriteltä harjoitusasennosta katsottuna. Suosittelemme, että laitteen asentaa kaksi aikuista henkilöä.

## TAKA- JA ETUTUKIJALKA



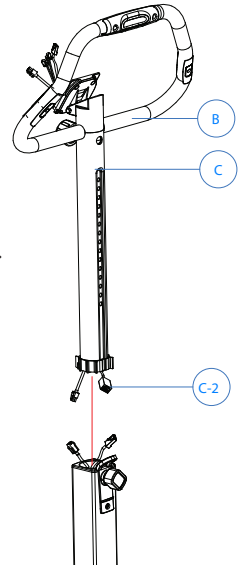
Kallistakaa laitetta taaksepäin siirtopyörien varaan istuimesta kiinni pitäen. Kiinnitä takatukijalka altpäin neljällä kuusiokoloruuvilla ja aluslaatatalla. Kiinnitä etutukijalka runkoon neljällä ruuvilla ja aluslaatatalla. Kallistakaa laite takaisin pystyasentoon tukijalkojen varaan.

## POLKIMET

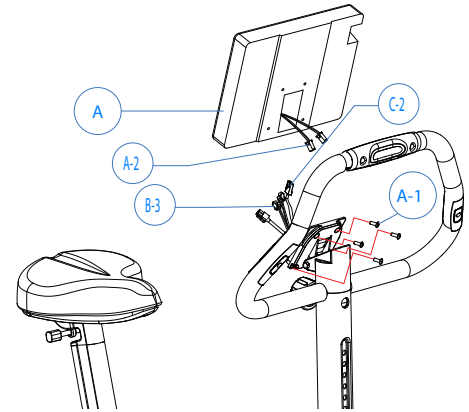
Polkimet ja hihnat erottuvat toisistaan merkinnöin R (oikea) ja L (vasen). Kiinnitä oikea poljin oikeaan kampeen myötöpäivään kiertäen ja vasen poljin vasempaan kampeen vastapäivään kiertäen. Kiinnitä polkimien hihnat aloittaen laitteen puoleisesta kiinnikkeestä. Työnnä hihna polkimessa olevan hahlon läpi ja paina hihnan aukko polkimessa olevaan ulokkeeseen. Kiinnitä hihnat polkimien ulkosivulle. Työnnä hihna lukitusoljen läpi, jolloin se lukittuu automaattisesti. Hihnan pituus on säädettävissä. Säädä pituutta lukitusoljen avulla.

## KÄSITUKI

Liitä runkoputkesta tuleva johto käsitukiputken alapäässä olevaan liittimeen. Varmista liitoksen lukitus nykäisemällä johtoa kevyesti. Ohjaa liitetty johto huolellisesti runkoputken sisään. Avaa käsituen pikalukitusnappi kiertämällä sitä muutama kierros vastapäivään ja vetämällä sitten ulospäin. Työnnä käsituki runkoputkeen. Vapauta lukitusnappi kun käsituki on sopivalla korkeudella, ja varmista että käsituki lukittuu. Varmista lukitus kiristämällä lukitusnappi kiertämällä sitä myötöpäivään.

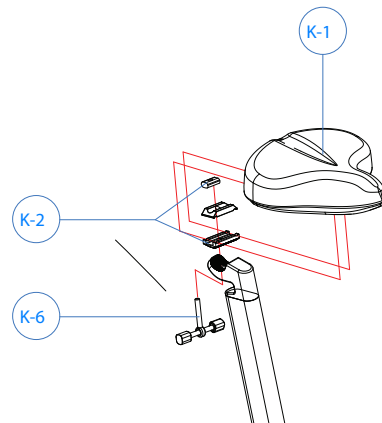


## MITTARI



Liitä käsituesta tulevat johdot vastaaviin mittarin liittimiin. Työnnä liitetyt johdot mittarin sisälle siten, etteivät ne vahingoitu mittarin kiinnityksessä. Aseta mittari paikoilleen käsitukiputken päähän ja kiinnitä mittari 4 kiinnitysruuvilla.

## SEAT



Löysää istuimen kiinnitysruuvi ja käännä ylempi kiinnityspala pitkittäin, laitteen suuntaisesti. Aseta istuin paikalleen alemman kiinnityspalan uriin. Käännä ylempi kiinnityspala istuinkiskojen päälle ja lukitse istuin kiristämällä kiinnitysruuvi tiukkaan.

## VIRTAJOHTO

Kytke muuntajan verkkojohto pistorasiaan ja muuntajan pistotulppa laitteen rungossa, takatukijalan yläpuolella olevaan pistokkeeseen. Virtajohtoon liittimen suojaamiseksi johto kannattaa solmia siirtopyörän tukivarren ympärille. Tarkista, ettei virtajohto ole laitteen alla!

# SÄÄDÖT

## ISTUINKORKEUDEN JA -KALTEVUUDEN SÄÄTÖ

Säädä istuinkorkeus siten, että kun poljin on alaspäin ja jalkasi on suorana, kantapäsi ulottuu polkimelle. Käännä säätönuppi ensin kierros vastapäivään. Pidä toisella kädellä istuimesta kiinni ja vedä toisella kädellä säätönupin takana olevaa avausvipua ulospäin niin, että istuinputki pääsee vapaasti liikkumaan ylös- ja alaspäin. Irrota ote vivusta kun istuinkorkeus on sopiva. Istuin loksauttaa paikalleen. Kiristä säätönuppi myötäpäivään.

**! TÄRKEÄÄ!** Varmista aina ennen harjoittelun aloittamista, että säätönuppi on kunnolla kiristetty!

Istuimen kiinnitys mahdollistaa kaltevuudensäädön sekä istuimen etäisyydensäädön käsituesta. Avaa istuimen kiinnitys kääntämällä istuimen alla olevaa lukitusvipua vastapäivään. Aseta istuin haluamaasi asentoon ja kiristä lukitusvipu tiukkaan myötäpäivään kääntäen.

## KÄSITUEN SÄÄTÖ

Löysää käsituen säätönuppiä käsitukiputken etupuolella ja säädä käsituen asento sellaiseksi, että polkemisasento tuntuu miellyttävältä. Kiristä säätönuppi tiukkaan. Käsituen monipuolisen muotoilun ansiosta voit harjoitella niin pystysuorassa kuin ylävartalolla eteenpäin nojatenkin. Muista kuitenkin aina pitää selkä suorassa.

Säädä käsituen korkeutta löysäämällä käsitukiputken kiinnitysnuoppia. Vedä kiinnitysnuoppi ulospäin niin, että käsituki pääsee vapaasti liikkumaan ylös- ja alaspäin. Irrota ote nupista kun käsituen korkeus on sopiva. Käsitukiputki loksauttaa paikalleen. Kiristä kiinnitysnuoppi myötäpäivään.

# HARJOITTELU

Harjoittelu kuntopyörällä on erinomaista aerobista liikuntaa, jonka perusideana on, että liikunta on sopivan kevyttä mutta pitkäkestoista. Aerobinen liikunta perustuu maksimaalisen hapenottokyvyn parantamiseen; se puolestaan lisää kestävyttä ja kuntoa. Elimistön kyky käyttää rasvaa polttoaineena on suoraan riippuvainen sen kyvystä kuljettaa happea. Aerobinen liikunta on ennen muuta miellyttävää. Hien pitää nousta pintaan, mutta liikunnan aikana ei saa hengästyä.

Liikkua pitäisi vähintään kolme kertaa 30 minuuttia viikossa. Näin saavutetaan peruskunto. Sen säilyminen edellyttää paria liikuntakertaa viikossa. Kun peruskunto on saavutettu, sen nostaminen on helppoa vain harjoituskertoja lisäämällä. Liikkeelle kannattaa lähteä rauhallisesti alhaisella poljentanopeudella ja pienellä vastuksella. Kova rasitus voi kuormittaa liikaa sydäntä ja verenkiertoelimistöä. Kunnan kohotessa vastusta ja

poljentanopeutta voidaan vähitellen lisätä. Liikunnan tehoa voidaan arvioida sydämen sykkeen avulla.

## SYKE

Olipa tavoitteesi harjoittelussa mikä hyvänsä, parhaaseen tulokseen pääset harjoittelemalla oikealla rasiustasolla.

## SYKEMITTAUS KÄSIANTUREIDEN AVULLA

Käsisykemittaus hyödyntää käsituissa olevia antureita, jotka mittaavat sydämen lyönneistä syntyviä sähköisiä impulsseja. Mittaus käynnistyy koskettamalla molempia käsituissa olevia sensoreita yhtäaikaisesti. Luotettava pulssinmittaus edellyttää että iho on jatkuvassa kosketuksessa antureihin ja että sensoreita koskettava iho on hieman kostea. Liian kuiva ja liian kostea iho heikentävät käsipulssimittauksen toimivuutta. Pyri pitämään mittauksen aikana yläkehosi ja kämmenesi rentoina ja mahdollisimman paikallaan.

## TELEMETRINEN SYKEMITTAUS

Luotettavimmaksi sykkeenmittausperiaatteeksi on todettu langaton sykemittaus, jossa rintakehälle kiinnitettävän lähetimen elektrodit siirtävät sykeimpulsit sydäimestä sähkömagneettisen kentän avulla mittarille.

**! TÄRKEÄÄ!** If you are fitted with a pacemaker, please consult a physician before using a wireless heart rate monitor.

Mikäli käytät sydämentahdistinta, varmista lääkäriltäsi, että voit käyttää langatonta sykemittausta. Mikäli haluat mitata sykettä langattomasti harjoittelun aikana, kostuta huolellisesti lähetinvyössä olevat, ihoa vasten tulevat uralliset elektrodit vedellä tai syljellä. Mikäli käytät lähetintä paidan päällä, kostuta paita elektrodipintoja vastaavilta kohdilta. Kiinnitä lähetin joustavan vyön avulla sopivan tiukasti rintalihasten alapuolelle siten, että elektrodit pysyvät ihokontaktissa koko harjoituksen ajan. Lähetin ei kuitenkaan saa olla liian tiukalla, jottei esim. normaali hengitys vaikeudu. Sykelähetin siirtää sydämen sykelukeman automaattisesti sykevastaanottimelle n. 1 m:n etäisyyteen saakka. Mikäli elektrodipinnat eivät ole kosteat, sykelukema ei ilmesty mittarin näyttöön. Siksi jos elektrodit kuivuvat iholla, kostuta ne uudelleen.

Muista myös, että elektrodien tulee antaa lämmitä iholla kehon lämpöiseksi, jotta mittaus toimisi luotettavasti. Jos langattomasti sykettä mittaavia laitteita on useampia vierekkäin, niiden välisen etäisyyden tulee olla vähintään 1,5 m. Vastaavasti jos käytössä on vain yksi vastaanotin, mutta useampi lähetin, saa mittauksen aikana lähetysväilyillä olla vain yksi henkilö, jolla on lähetin. Lähetimen toiminta lakkaa, kun otat sen pois yltäsi. Kosteus saattaa kuitenkin aktivoida lähetimen, jolloin patterin käyttöikä lyhenee.

Siksi on tärkeätä kuivata lähetin huolellisesti käytön jälkeen. Huomioi harjoitusvaatetuksessasi että tietyt vaatteisiin käytetyt kuidut (esim. polyesteri, polyamidi) tuottavat staattista sähköä, mikä saattaa estää luotettavan sykemittauksen. Huomioi myös että matkapuhelin, tv ja muut sähkölaitteet muodostavat ympärilleen sähkömagneettisen kentän, joka aiheuttaa ongelmia sykemittauksessa. Paras rasiustason mittari on oman sydämen syketaajuus. Lähde liikkeelle selvittämällä ensin maksimisykearvos eli se lyöntimäärä, josta sykkeesi ei enää nouse, vaikka rasitus lisääntyisikin. Jos et tiedä

omaa maksimisykearvoasi, voit käyttää seuraavaa kaavaa suuntaa antavana:

## 220 - IKÄ

Maksimisyke voi vaihdella yksilöllisesti runsaastikin. Maksimisyke putoaa keskimäärin yhden sykkeen vuodessa. Mikäli kuulut johonkin riskiryhmään, sinun kannattaa ehdottomasti varmistaa maksimisykkeesi lääkärin avustuksella. Olemme määritelleet kolme eri sykealuetta, joista löydät tavoitteitasi parhaiten vastaavat harjoittelualueet.

**ALOITTELIJAN TASO:** 50 - 60 % maksimisykkeestä

Tämä taso on sopiva laihduttajille, toipilaille ja niille, jotka eivät ole harrastaneet liikuntaa aikaisemmin tai pitkään aikaan. Suositeltava harjoitusmäärä on kolme kertaa viikossa vähintään puoli tuntia kerrallaan.

**KUNTOILIJAN TASO:** 60 - 70 % maksimisykkeestä

Tämä taso sopii erinomaisesti kunnon kohottamiseen ja ylläpitämiseen. Harjoituksen tulisi kestää kerrallaan vähintään puoli tuntia ja harjoituskertoja tulisi olla vähintään kolme viikossa. Mikäli haluat kohottaa kuntoasi edelleen, sinun on lisättävä joko harjoituskertoja tai harjoitustehoa (ei kuitenkaan molempia yhtäaikaan).

**AKTIIVIKUNTOILIJAN TASO:** 70 - 80 % maksimisykkeestä

Harjoittelu tällä tasolla soveltuu vain erittäin hyväkuntoisille ja edellyttää jo pitkään jatkunutta kuntoa.

## MITTARI



### PAINIKKEET (sivulla)

Virtapainike

Äänenvoimakkuuden säätö

Kirkkauden säätö

### KOSKETUSNÄYTTÖ

Tämä näyttö on kosketusnäyttö. Kosketa näytön painikkeita kevyesti sormillasi. Älä paina näyttöä, sillä se voi vahingoittaa kosketusnäyttötoimintoa. Vältä koskettamasta näyttöä terävillä esineillä.

### MEDIA

Tämä näyttö tukee kahta USB-porttia (FAT/FAT32-tiedostomuoto) mediatiedostojen toistamiseen. Tuetut tiedostotyytit: MP3, AAC (MP4), Ogg Vorbis, WAV, MPEG-1, Ogg Theora, AVI, MKV, Ogg, MOV.

DRM-suojattujen tiedostojen toisto ei ole mahdollista.

Lisäksi käytettävissä on 30 pinnin iPod/iPhone-liitäntä, joka voidaan kytkeä useimpiin Apple-tuotteisiin.

Voit käyttää Media-painiketta iPodin/iPhonen musiikin selaamiseen ja toistamiseen. Videoita ei voida toistaa tämän liitännän kautta. Voit käyttää musiikkitiedostoja iPod / iPhone kansion user / Apple.

Huomautus: Tämä näyttö sisältää mahdollisuuden yhdistää iPod/iPhone, mutta Tunturi ei ole vastuussa mistään vahingoista, joita yhdistäminen saattaa aiheuttaa iPodin/iPhonen laitteistoon tai ohjelmistoon.

### NÄYTTÖPAINIKKEET

#### 1. HARJOITUS

HARJOITUS-painiketta painamalla voit valita harjoituksen.

#### 2. KÄYTTÄJÄ

KÄYTTÄJÄ-painiketta painamalla voit avata KÄYTTÄJÄ-valikon. KÄYTTÄJÄ-valikko sisältää seuraavat toiminnot: LUO KÄYTTÄJÄ, VALITSE/VAIHDA KÄYTTÄJÄ, MUOKKAA KÄYTTÄJÄÄ, ASETUKSET ja KÄYTTÄJÄLOKI.

#### 3. INTERNET

Tätä painiketta painamalla voit selata internetiä (vain jos langaton yhteys on saatavilla).

#### 4. E-KIRJANLUKIJAJA

Tätä painiketta painamalla voit avata e-kirjanlukijan. Näyttö tunnistaa USB-ikulle tallennetut e-kirjat. Luettavat muodot ovat: ePub, FictionBook (fb2), Plucker, Open E-Book, Open Reader, PalmDoc, Psion Text, Mobipocket ja puhdas teksti.

#### 5. WI-FI-ASETUKSET

Tätä painiketta painamalla voit asettaa verkkoyhteyden. Katso lisätietoja kappaleesta INTERNET.

#### 6. PALAA/LOPETA

Voit palata valikoissa takaisin kohti päävalikkoa painamalla PALAA/LOPETA-painiketta. Harjoittelun aikana voit lopettaa tai keskeyttää harjoituksen painamalla PALAA/LOPETA-painiketta.

#### 7. ZOOM

Graafisen profiilinäytön tarkennus harjoituksen aikana. Painamalla ZOOM-painiketta profiilikuva kasvaa näytöllä (kaksin-, nelin-, kahdeksan ja kuusitoistakertaiseksi), kunnes viidennellä painalluksella profiilikuva palaa alkuperäiseen kokoonsa.

#### 8. NÄPPÄIMISTÖ

Painamalla tätä painiketta voit näyttää tai piilottaa ruutunäppäimistön.

#### 9. MEDIAPAINIKE

Painamalla mediapainiketta voit avata mediasoitimen. Soitin tunnistaa automaattisesti videot (MPEG-1-muoto) ja musiikin (MP3, WMV, WAV). Voit valita ja toistaa USB-ikun sisällön.

## NÄYTTÖ

Harjoituksen aikana näet näytön vasemmassa reunassa seuraavat harjoitusarvot: aika, matka, energiankulutus, teho, RPM, syke ja nopeus.

# MITTARIN KÄYTTÖ

## Virran kytkeminen

Voit kytkeä mittarin päälle kytkemällä laitteen virtalähteeseen ja painamalla näytön sivussa olevaa virtapainiketta. Mittariin tulee näkyviin HARJOITUS-valikko.

## Lepotila

Kun mittarin painikkeita ei ole painettu tai laitteella poljettu 5 minuuttiin, mittari kytketty automaattisesti näytönsäätötilaan. Voit aktivoida näytön uudelleen koskettamalla sitä..

## Virran sammuttaminen

Voit sammuttaa laitteen pitämällä näytön sivussa olevaa virtapainiketta painettuna muutaman sekunnin ajan ja irrottamalla verkkovirtalaitteen laitteesta.

Mikäli keskeytät harjoituksesi, käyttämäsi ohjelman tiedot säilyvät 5 minuutin ajan mittarin muistissa. Voit jatkaa harjoitusta 5 minuutin kuluessa, tämän jälkeen mittarin tiedot nollautuvat.

Mittari neuvoo toimintojensa käyttöä. Näyttöön ilmestyvät ohjetekstit tunnista valkoisella pohjalla olevasta i-kirjaimesta ja saat poistettua ne näytöltä liikusäädintä käyttämällä.

## KÄYTTÄJÄ-VALIKKO

KÄYTTÄJÄ-valikkoon pääset painamalla KÄYTTÄJÄ-painiketta. Suosittelemme, että valitset käyttäjätunnuksen ja tallennat henkilökohtaiset tietosi: tietoja käytetään mm. tarkennettuun energiankulutuksen arviointiin. Samalla voit asettaa laitteen käyttämät yksiköt ja katsoa kokonaisharjoitusarvot. Valitsemalla käyttäjätunnuksen voit myös tallentaa tekemäsi harjoituksen ja näyttää henkilökohtaiset sykealueitasosi eri väreillä sykeharjoituksissa. Kun olet luonut käyttäjätunnuksen tai ottanut käyttöön jo olemassa olevan käyttäjätunnuksen, näet käyttäjätunnuksesi näytön oikeassa yläreunassa. Voit harjoitella myös ilman käyttäjätunnusta, silloin näytön oikeassa yläreunassa ei näy käyttäjätunnusta ja harjoittelet oletusasetuksilla (45 vuotta, 70 kg, mies). Käyttäjätiedot on mahdollista tallentaa 20 käyttäjälle.

**! TÄRKEÄÄ!!** Jos haluat seurata henkilökohtaisia harjoitusmääriäsi KÄYTTÄJÄLOKISSA, muista aina valita oma käyttäjätunnuksesi. Käyttäjätunnuksen voit ottaa käyttöön myös kesken harjoituksen painamalla KÄYTTÄJÄ-painiketta ja valitsemalla oman käyttäjätunnuksesi. Harjoitus ei tällöin keskeydy, vaan voit käyttäjävalintasi jälkeen palata harjoitukseen PALAA/LOPETA-painikkeella.

**! TÄRKEÄÄ!** Mikäli haluat tallentaa harjoituksesi, pitää sinun valita käyttäjätunnus.

## LUO KÄYTTÄJÄ

Luo käyttäjä seuraavasti:

1. Paina KÄYTTÄJÄ-painiketta, jolloin KÄYTTÄJÄ-valikko avautuu näytölle.
2. Valitse LUO KÄYTTÄJÄ vierittämällä luetteloa. Hyväksy valintasi valintapalkkia painamalla.
3. Valitse kieli vierittämällä luetteloa ja hyväksy valintasi valintapalkkia painamalla.
4. Kirjoita nimesi näppäimistöllä ja vahvista painamalla Enter-painiketta.
5. Valitse yksiköt, joita haluat käyttää (metriset: Metric

1 (kg, km, kcal), Metric 2 (kg, km, kJ), tai vastaavat englantilaiset: Imperial 1 (lb, mi, kcal), Imperial 2 (lb, mi, kJ)). Tee valinta luetteloa vierittämällä ja hyväksy valintasi valintapalkkia painamalla, jolloin siirryt automaattisesti seuraavaan asetukseen.

6. Valitse asetuservojen esitystapa. LASKE ALASPÄIN vähentää arvoja tavoitteestasi kohti nollaa. LASKE YLÖSPÄIN näyttää tavoitteesi kasvavana. Hyväksy valintasi valintapalkkia painamalla, jolloin siirryt seuraavaan asetukseen.
7. Aseta sukupuolesi luetteloa vierittämällä. Hyväksy valintasi.
8. Aseta ikäsi liikusäädintä käyttämällä. Hyväksy valinta.
9. Aseta pituus. Hyväksy valinta.
10. Aseta paino. Hyväksy valinta.
11. Aseta maksimisykkeesi. Mittari laskee käyttäjätietojesi perusteella maksimisykearvion kaavalla 220 - ikä. Jos tiedät maksimisykkeesi tarkasti, voit tarkentaa mittarin maksimisykearviota.
12. Aseta anaerobinen kynnysyke. Mittari laskee kynnysykearvion maksimisykearvon perusteella (80 % maksimisykkeestä). Jos tiedät anaerobisen kynnysykkeesi tarkasti, voit tarkentaa mittarin arviota.
13. Aseta aerobinen kynnysyke. Mittari laskee kynnysykearvion maksimisykearvon perusteella (60 % maksimisykkeestä). Jos tiedät aerobisen kynnysykkeesi tarkasti, voit tarkentaa mittarin arviota.

**! TÄRKEÄÄ!!** Mittarilla voi samanaikaisesti olla 20 käyttäjätunnusta.

## VALITSE/VAIHDA KÄYTTÄJÄ

Kun olet luonut käyttäjätietosi, voit jatkossa hyödyntää niitä aloittamalla harjoituksesi valitsemalla VALITSE/VAIHDA KÄYTTÄJÄ ja hyväksymällä oman käyttäjätunnuksesi valintapalkkia painamalla.

## MUOKKAA KÄYTTÄJÄÄ

Valitsemalla MUOKKAA KÄYTTÄJÄÄ voit muokata käyttäjätietojasi.

## POISTA KÄYTTÄJÄ

Valitsemalla POISTA KÄYTTÄJÄ voit poistaa valittuna olevan käyttäjän.

## ASETUKSET

Valitsemalla ASETUKSET pääset päivittämään mittarin ohjelmaversioon, säätämään näytön kontrastia, katsomaan pyörän totaaliarvoja tai valitsemaan näppäinäänät päälle/pois.

## KÄYTTÄJÄ LOKI

Valitsemalla KÄYTTÄJÄLOKI pääset selaamaan valittuna olevan käyttäjän harjoittelutietoja. Voit katsoa

joko viimeisimmän harjoituksen tiedot tai yhteenvedon käyttäjän kaikista harjoitteista. Voit poistua harjoittelutiedoista painamalla PALAA/LOPETA.

## HARJOITUS-VALIKKO

HARJOITUS-valikkoon pääset painamalla HARJOITUS-painiketta. HARJOITUS-valikosta voit valita luetteloa vierittämällä jonkin seuraavista harjoituksista. Paina sitten valintapalkkia.

## PIKA-ALOITUS

Pika-aloituksen avulla pääset heti MANUAALINEN-harjoitukseen ilman asetuksia.

1. Valitse PIKA-ALOITUS. Hyväksy valinta valintapalkkia painamalla ja käynnistä harjoitus polkemalla.
2. Oikealla olevalla liikusäätimellä voit lisätä tai vähentää vastusta (1-58 Nm).
3. Lopeta harjoitus painamalla PALAA/LOPETA-painiketta, jolloin voit lopettaa harjoituksen valitsemalla POISTU, tallentaa suorituksen mittarin muistiin valitsemalla TALLENNA JA POISTU tai jatkaa harjoitusta valitsemalla JATKA.

## MANUAL

Valitsemalla MANUAALINEN-toiminnon voit harjoittelun aikana säätää vastusta suuremmaksi tai pienemmäksi liikusäätimellä.

1. Valitse MANUAALINEN
2. Valitse liikusäätimellä haluamasi harjoituksen tavoitearvo: kesto aikana, matkana tai energiankulutusarvona. Hyväksy valintasi valintapainikkeella.
3. Aseta liikusäätimellä harjoituksen tavoitearvo: aseta aika (10-180 minuuttia), matka (3-100 km) tai energiankulutus (50-2 000 kcal). Hyväksy valintasi valintapainikkeella.
4. Käynnistä harjoitus polkemalla. Liikusäätimellä voit lisätä tai vähentää vastusta (1-58 Nm). Harjoituksen aikana voit vaihtaa harjoitusnäkyvän vastus- tai sykepohjaiseksi näytön alalaidan painikkeella. Sykenäyttö edellyttää sykemittausta.
5. Harjoituksen tavoitearvon täytyttyä mittari antaa äänimerkin. Voit kuitenkin yhä jatkaa ohjelmaa.
6. Lopeta harjoitus painamalla PALAA/LOPETA-painiketta, jolloin voit lopettaa harjoituksen valitsemalla POISTU, tallentaa suorituksen mittarin muistiin valitsemalla TALLENNA JA POISTU tai jatkaa harjoitusta valitsemalla JATKA.

## TAVOITESYKE

Valitsemalla TAVOITESYKE-ohjelman voit asettaa mittariin haluamasi sykearvon, jolloin laite ohjaa kuormitusta siten, että syke säilyy halutulla tasolla. Sykkeen noustessa kuorma kevenee - ja päinvastoin. Asetettua sykearvoa on mahdollista muuttaa harjoittelun aikana. Ohjelman käyttö edellyttää sykkeenmittausta harjoittelun aikana.

1. Valitse TAVOITESYKE.
2. Aseta liikusäätimellä harjoituksen syketaso (80-220). Hyväksy valintasi.

3. Valitse liikusäätimellä haluamasi harjoituksen tavoitearvo: kesto aikana, matkana tai energiankulutusarvona. Hyväksy valintasi valintapainikkeella.
4. Aseta liikusäätimellä harjoituksen tavoitearvo: aseta aika (10-180 minuuttia), matka (3-100 km) tai energiankulutus (200-8 000 kJ). Hyväksy valintasi näytön alalaidan painikkeella.
5. Käynnistä harjoitus polkemalla. Liikusäätimellä voit muuttaa syketasoa (80-220). Harjoituksen aikana voit vaihtaa harjoitusnäkyvän teho- tai sykepohjaiseksi näytön alalaidan painikkeella.
6. Harjoituksen tavoitearvon täytyttyä mittari antaa äänimerkin. Voit kuitenkin yhä jatkaa ohjelmaa.
7. Lopeta harjoitus painamalla PALAA/LOPETA-painiketta, jolloin voit lopettaa harjoituksen valitsemalla POISTU, tallentaa suorituksen mittarin muistiin valitsemalla TALLENNA JA POISTU tai jatkaa harjoitusta valitsemalla JATKA.

## TAVOITETEHO

Valitsemalla TAVOITETEHO-ohjelman voit asettaa mittariin haluamasi tehoarvon watteina, ja laite ohjaa kuormitusta poljinkierroksista riippumatta. Asetettua tehoarvoa on mahdollista muuttaa harjoittelun aikana.

1. Valitse TAVOITETEHO
2. Aseta liikusäätimellä harjoituksen tehotaso (20-600 W). Hyväksy valintasi valintapainikkeella.
3. Valitse haluamasi harjoituksen tavoitearvo: kesto aikana, matkana tai energiankulutusarvona. Hyväksy valintasi.
4. Aseta harjoituksen tavoitearvo: aseta aika (10-180 minuuttia), matka (3-100 km) tai energiankulutus (200-8 000 kJ). Hyväksy valintasi.
5. Käynnistä harjoitus polkemalla. Liikusäätimellä voit lisätä tai vähentää vastusta (20-600 W). Harjoituksen aikana voit vaihtaa harjoitusnäkyvän teho- tai sykepohjaiseksi.
6. Harjoituksen tavoitearvon täytyttyä mittari antaa äänimerkin. Voit kuitenkin yhä jatkaa ohjelmaa.
7. Lopeta harjoitus painamalla PALAA/LOPETA-painiketta, jolloin voit lopettaa harjoituksen valitsemalla POISTU, tallentaa suorituksen mittarin muistiin valitsemalla TALLENNA JA POISTU tai jatkaa harjoitusta valitsemalla JATKA.

## VALMISOHJELMAT

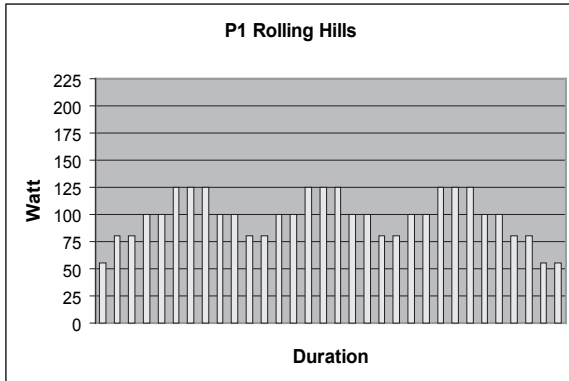
Toiminto sisältää valmiita harjoitusprofileja. Valmisprofileissa vastustaso vaihtelee ennalta määrättyllä tavalla. Asetettua vastustasoa on mahdollista muuttaa harjoittelun aikana.

1. Valitse VALMISOHJELMAT
2. Valitse haluamasi ohjelma (1-10) luettelosta ja paina valintapainiketta. Profiilit P1-P5 ovat vakioteho-ohjelmia, P6-P10 ovat vakiosykeohjelmia, jotka edellyttävät sykemittausta. Hyväksy valintasi valintapyörällä.
3. Aseta haluamasi harjoituksen tavoitearvo: kesto aikana tai matkana. Hyväksy valintasi.
4. Aseta harjoituksen tavoitearvo: aseta aika (10-180 minuuttia) tai matka (3-100 km). Hyväksy valintasi.
5. Käynnistä ohjelma polkemalla. Liikusäätimellä voit lisätä tai vähentää vastusta. Harjoituksen aikana voit vaihtaa harjoitusnäkyvän teho- tai sykepohjaiseksi. Sykenäyttö edellyttää sykemittausta.

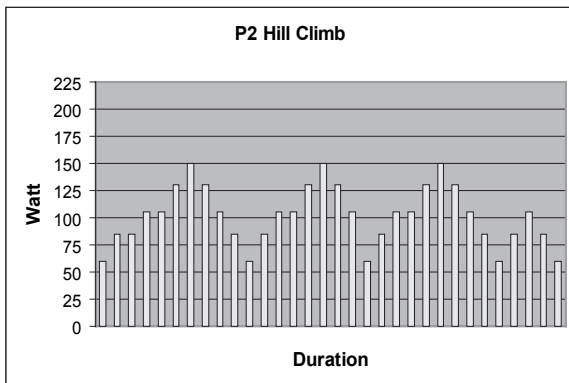
6. Harjoituksen tavoitearvon täytyttyä mittari antaa äänimerkin. Voit kuitenkin yhä jatkaa ohjelmaa.  
 7. Lopeta harjoitus painamalla PALAA/LOPETA-painiketta, jolloin voit lopettaa harjoituksen valitsemalla POISTU, tallentaa suorituksen mittarin muistiin valitsemalla TALLENNA JA POISTU tai jatkaa harjoitusta valitsemalla JATKA.

#### OHJELMIEN PROFILITIEDOT

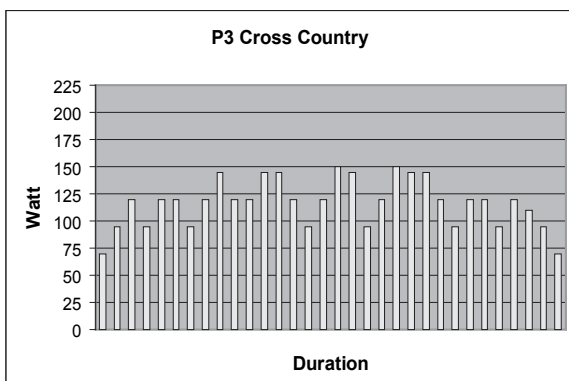
**P1 ROLLING HILLS.** Kolmihuippuinen tehoprofiili hapenottokyvyn parantamiseen. Huiput ovat melko pitkäkestoisia mutta matalia, joten profiili sopii aloittelijoille. Valmisasetuksilla keskimääräinen teho on 98 W, huipputeho 125 W.



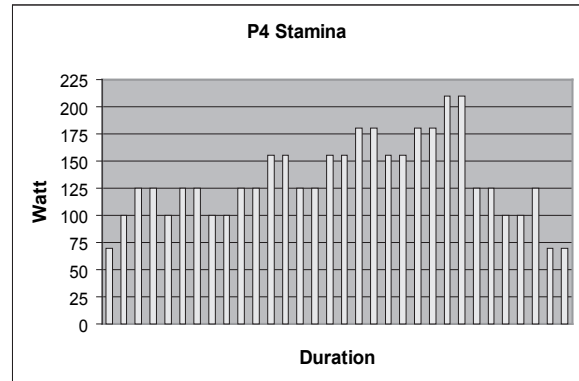
**P2 HILL CLIMB.** Kolmihuippuinen tehoprofiili hapenottokyvyn parantamiseen. Huiput ovat melko lyhytkestoisia, joten profiili sopii aloittelijoille. Valmisasetuksilla keskimääräinen teho on 102 W, huipputeho 150 W.



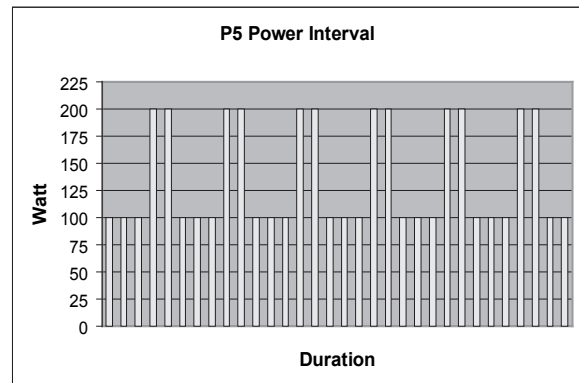
**P3 CROSS COUNTRY.** Monihuippuinen tehoprofiili nopeusvoiman parantamiseen. Tehotasojen vaihtelut ovat epäsäännöllisiä ja huiput melko lyhytkestoisia, profiili sopii kaikille. Valmisasetuksilla keskimääräinen teho on 117 W, huipputeho 150 W.



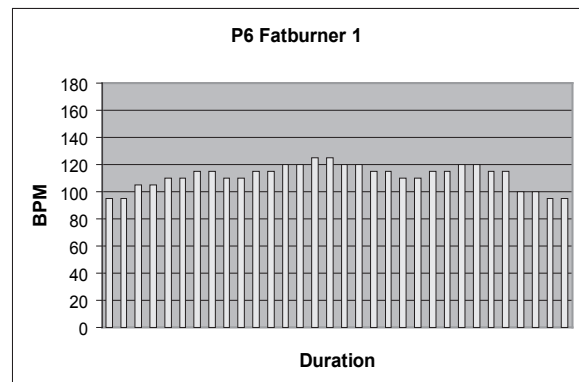
**P4 STAMINA.** Ylämäkitechoprofiili kestävyuden parantamiseen. Melko pitkäkestoiset huiput ovat profiilin loppupuolelle asti aina edeltäjiään korkeampia. Profiili sopii etenkin hyväkuntoisille. Valmisasetuksilla keskimääräinen teho on 133 W, huipputeho 210 W.



**P5 POWER INTERVAL.** Säännöllisen muotoinen tehointervalliprofiili, jossa huippujen ja perustehotason ero on selkeä. Valmisasetuksilla keskimääräinen teho on 138 W, huipputeho 200 W. Huomaa, että tässä profiilissa voit skaalata erikseen huippuja ja perusvastusta.

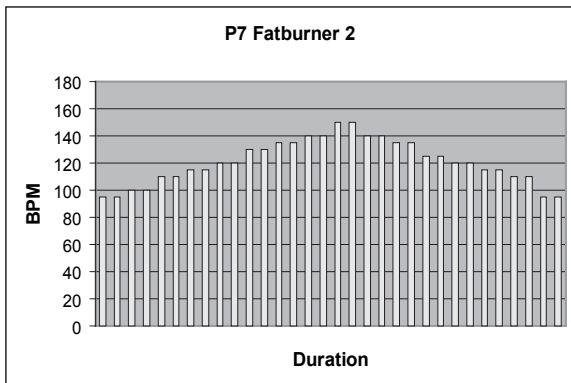


**P6 FATBURNER 1.** Kolmihuippuinen sykeprofiili hapenottokyvyn parantamiseen. Huiput ovat melko pitkäkestoisia mutta matalia, joten profiili sopii myös aloittelijoille. Valmisasetuksilla keskimääräinen syke on 112, huippusyke 125.

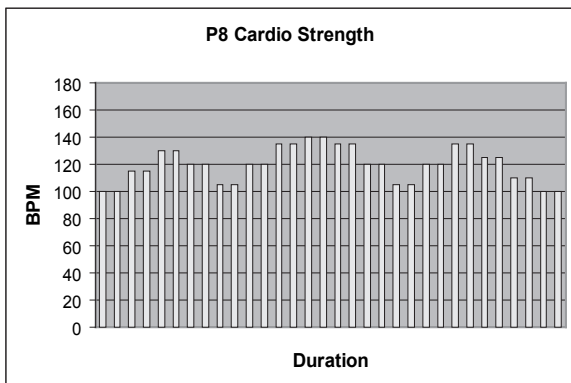




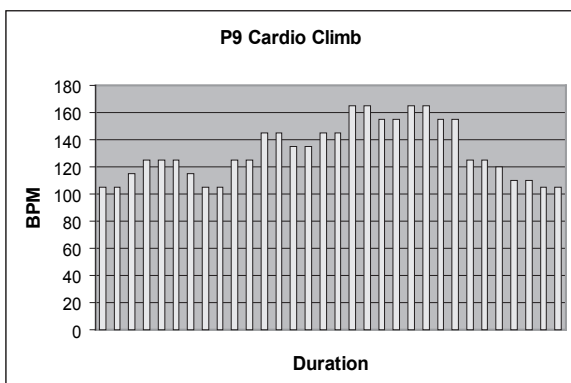
**P7 FATBURNER 2.** Ylämäkisykeprofiili kestävyden parantamiseen. Syke nousee tasaisesti profiilin puoleenväliin ja lähtee tämän jälkeen tasaiseen laskuun. Profiili sopii myös aloittelijoille. Valmisasetuksilla keskimääräinen syke on 121, huippusyke 150.



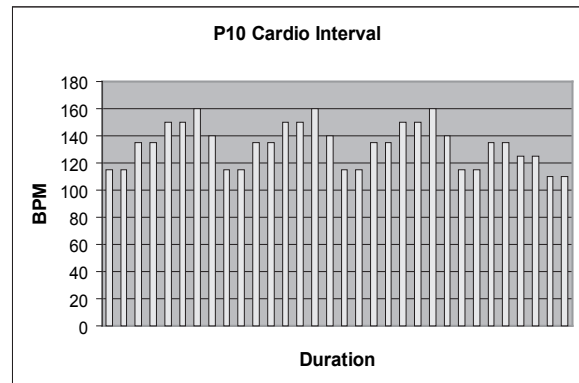
**P8 CARDIO STRENGTH.** Kolmihiippuinen sykeprofiili kestävyden parantamiseen. Huiput ovat pitkäkestoisia, mutta syketaso on melko tasainen läpi profiilin. Profiili sopii kaikille. Valmisasetuksilla keskimääräinen syke on 120, huippusyke 140.



**P9 CARDIO CLIMB.** Ylämäkisykeprofiili kestävyden parantamiseen. Huiput ovat profiilin loppupuolelle asti aina edeltäjiään korkeampia. Profiili sopii etenkin hyväkuntoisille. Valmisasetuksilla keskimääräinen syke on 131, huippusyke 170.



**P10 CARDIO INTERVAL.** Kolmihiippuinen sykeprofiili hapenottokyvyn parantamiseen. Melko pitkäkestoisia huippuja seuraa tasainen palautusvaihe. Profiili sopii etenkin hyväkuntoisille. Valmisasetuksilla keskimääräinen syke on 133, huippusyke 160.



## T-RIDE

T-RIDE-harjoitus simuloi pyörällä ajoa todellisessa maastossa. Harjoituksen aikana voit vaihtaa vaihteita liukusäätimellä ja seurata korkeuskäyrää.

1. Valitse T-RIDE.
2. Valitse maasto ja hyväksy valintasi.
3. Aseta harjoituksen alkukohta koskettamalla profiilia ja vahvistamalla painamalla painiketta.
4. Aseta harjoituksen loppukohta koskettamalla profiilia ja vahvistamalla painamalla painiketta.
5. Käynnistä harjoitus polkemalla. Liukusäätimellä voit vaihtaa vaihdetta 1-8. Harjoituksen aikana voit vaihtaa harjoitusnäkömön korkeuskäyrä- tai sykepohjaiseksi. Sykenäyttö edellyttää sykemittausta.
6. Poljettuasi reitin loppuun mittari antaa äänimerkin ja harjoitus päättyy.
7. Lopeta harjoitus painamalla PALAA/LOPETA-painiketta, jolloin voit lopettaa harjoituksen valitsemalla POISTU, tallentaa suorituksen mittarin muistiin valitsemalla TALLENNA JA POISTU tai jatkaa harjoitusta valitsemalla JATKA.

## T-ROAD

**! TÄRKEÄÄ:** T-ROAD-harjoituksen suorittaminen on mahdollista vain muistitikun ollessa paikallaan mittarissa. T-ROAD-toiminto on kuten T-RIDE, mutta T-ROAD-harjoituksessa voit seurata etenemistäsi myös videokuvasta. Harjoituksen aikana voit vaihtaa valintapyörää painamalla harjoitusnäkömön korkeusprofiili- tai videopohjaiseksi.

## T-MUSIC

**! TÄRKEÄÄ:** T-MUSIC-harjoituksen suorittaminen on mahdollista vain muistitikun ollessa paikallaan mittarissa. T-MUSIC-harjoitukset ovat sykeohjattuja valmisprofiileja. Harjoituksen aikana musiikin tempo vaihtelee harjoituksen rasittavuuden mukaan. T-MUSIC-harjoituksen kesto on 40 minuuttia. Asetettua

syketasoa ei ole mahdollista muuttaa harjoittelun aikana. Ohjelman käyttö edellyttää sykkeenmittausta harjoittelun aikana.

1. Valitse T-MUSIC
2. Valitse haluamasi ohjelma (1-3) vierittämällä luetteloa. Hyväksy valintasi valintapalkilla.
3. Käynnistä ohjelma polkemalla. Harjoituksen aikana voit vaihtaa valintapyörällä harjoitusnäkyvän teho- tai sykepohjaiseksi näytön alalaidan painikkeella.
4. 40 minuutin täytyttyä mittari antaa äänimerkin ja harjoitus päättyy.
5. Lopeta harjoitus painamalla PALAA/LOPETA-painiketta, jolloin voit lopettaa harjoituksen valitsemalla POISTU, tallentaa suorituksen mittarin muistiin valitsemalla TALLENNA JA POISTU tai jatkaa harjoitusta valitsemalla JATKA.

## OMAT HARJOITUKSET

Mittarin muistiin on mahdollista tallentaa 100 itse tehtyä harjoitusohjelmaa.

## OHJELMIEN TALLENTAMINEN

1. Paina PALAA/LOPETA-painiketta harjoituksen lopettamiseksi.
2. Valitse TALLENNA JA POISTU ja hyväksy valinta.
3. Anna harjoitukselle nimi ja paina Enter-painiketta.



**TÄRKEÄÄ!** Talletettavan ohjelman tulee olla vähintään 10 minuuttia pitkä.



**TÄRKEÄÄ!** Harjoituksen tallentaminen edellyttää käyttäjävälintää.

## TALLENETTUIJEN OHJELMIEN KÄYTTÖ

1. Valitse OMAT HARJOITUKSET.
2. Valitse haluamasi harjoitus listalta.
3. Valitse haluamasi suoritus tapa:  
A) Toista = toista harjoitus samanlaisena kuin se on talletettu  
B) Muokkaa = muokkaa talletetun harjoituksen kestoja ennen sen käyttöönottoa  
C) Kisa = kilpaile talletettua harjoitussuoritusta vastaan.



**TÄRKEÄÄ!** Voit käyttää vain käyttäjämanuaalitoiminnossa luotuja ohjelmaprofiileja. Tällaisissa profiileissa vastus ilmoitetaan vakiokampimomenttina (Nm).

4. Hyväksy valintasi valintapainikkeella.  
A) Toista = aloita harjoitus polkemalla. Liukusäätimellä voit skaalata ohjelman vastustasoa.  
B) Muokkaa = valitse liukusäätimellä harjoituksen kesto aikana (10-180 minuuttia). Aloita harjoitus polkemalla. Liukusäätimellä voit skaalata ohjelman vastustasoa.  
C) Kisa = valitse luettelosta kisatila (aika: kuinka pitkän matkan pystyt polkemaan annetussa ajassa tai matka: kuinka nopeasti pystyt polkemaan annetun matkan) ja hyväksy valintasi valintapainikkeella. Näyttöön tulee tallennettu ohjelmaprofiili: aloita kisa polkemalla. Katkoviivat näytöllä kertovat oletko edellä vai perässä vertailusuoritusta, joka on ohjelman viimeisin tallennettu suoritus. Etäisyytesi edelliseen harjoituskertaan näkyy näytöllä: tallennettu suoritus näkyy vaaleansinisenä pystysuorana katkoviivana ja kilpailusuoritukseksi mustana pystysuorana

katkoviivana.

5. Lopeta harjoitus painamalla PALAA/LOPETA-painiketta, jolloin voit lopettaa harjoituksen valitsemalla POISTU, tallentaa suorituksen mittarin muistiin valitsemalla TALLENNA JA POISTU tai jatkaa harjoitusta valitsemalla JATKA.

## KUNTOTESTI

Mittarin kuntotestinä on moniporrastesti. Testi alkaa kevyellä vastuksella, mutta valitun testimallin mukaisesti vastus kasvaa tasaisesti. Moniporrastesti on turvallinen ja luotettava submaksimaalinen tapa testata fyysistä kuntotasoa. Testiä jatketaan kunnes testattavan henkilön yksilöllinen tavoitesyketaso (85 % maksimisyketasosta) on saavutettu. Testi edellyttää sykevyyden käyttöä: testin aikana mittari seuraa syketason muutoksia ja arvioi sen perusteella testattavan henkilön maksimaalisen hapenottokyvyn. Maksimaalinen hapenottokyky on puolestaan paras tapa arvioida fyysistä kuntotasoa. Testin päätteeksi mittari antaa monipuolisen arvion kuntotasostasi sekä sanallisesti että lukuarvona (ml/kg/min).

## TESTIN VALMISTELU

1. Näyttöön tulee valittu testiporrasmalli. Aloita testi polkemalla. Sykekäyräsi näkyy näytöllä punaisena käyränä, joka päivittyy testin edetessä. Tavoitesyketasosi on merkitty punaisella katkoviivalla.
2. Kun syketasosi saavuttaa tavoitetason, mittari antaa äänimerkin ja näyttöön tulee ilmoitus. Suosittelemme, että päätät testin tälle tasolle, mutta mikäli kuntosi on riittävän hyvä, voit jatkaa testiä edelleen. Mikäli tavoitesyketasosi on asetettu oikein (eli mikäli olet selvittänyt maksimisyketasosi riittävän tarkasti), testin jatkaminen ei paranna enää testin tarkkuutta. Yliarvioitu maksimisyke yliarvioi kuntotasosi, aliarvioitu maksimisyke aliarvioi kuntotasosi.
3. Voit päättää testin tavoitesyketason saavutettua joko PALAA/LOPETA-painiketta tai lopettamalla polkemisen. Mittari siirtyy tällöin testituloksen näyttöön:

- A) aerobinen kunto = arvio kuntotasostasi tehoalueella, jota yleisimmin käytät, ja joka parhaiten osoittaa fyysisen terveystuntosi tilan.
- B) MET-arvo = lukema, joka kertoo kuinka moninkertaiseksi elimistösi hapenottokyky voi kasvaa verrattuna täydelliseen lepotilaan.
- C) ml/kg/min = lukema, joka kertoo kuinka monta millilitraa happea elimistösi hapenottokyky on minuutissa kehosi kutakin painokiloa kohti.
- D) l/min = lukema, joka kertoo kuinka monta litraa happea elimistösi hapenottokyky on minuutissa. Erona edellisiin arvoihin on se, ettei tämä lukema huomioi kehon painoa.
- E) Wmax = arvio maksimisuoritusastasi watteina.
- F) W/kg = maksimisuoritusastasi ja painosi suhdeluku.


4. Poistut testitulosta.

MIEHET / MAKSIMAALINEN HAPENOTTOKY (VO2MAX) 1 = ERITTÄIN HEIKKO - 7 = ERINOMAINEN							
IKÄ	1	2	3	4	5	6	7
18-19	<33	33-38	39-44	45-51	52-57	58-63	>63
20-24	<32	32-37	38-43	44-50	51-56	57-62	>62
25-29	<31	31-35	36-42	43-48	49-53	54-59	>59
30-34	<29	29-34	35-40	41-45	46-51	52-56	>56
35-39	<28	28-32	33-38	39-43	44-48	49-54	>54
40-44	<26	26-31	32-35	36-41	42-46	47-51	>51
45-49	<25	25-29	30-34	35-39	40-43	44-48	>48
50-54	<24	24-27	28-32	33-36	37-41	42-46	>46
55-59	<22	22-26	27-30	31-34	35-39	40-43	>43
60-65	<21	21-24	25-28	29-32	33-36	37-40	>40
60-65	<21	21-24	25-28	29-32	33-36	37-40	>40

NAISET / MAKSIMAALINEN HAPENOTTOKY (VO2MAX) 1 = ERITTÄIN HEIKKO - 7 = ERINOMAINEN							
IKÄ	1	2	3	4	5	6	7
18-19	<28	28-32	33-37	38-42	43-47	48-52	>52
20-24	<27	27-31	32-36	37-41	42-46	47-51	>51
25-29	<26	26-30	31-35	36-40	41-44	45-49	>49
30-34	<25	25-29	30-33	34-37	38-42	43-46	>46
35-39	<24	24-27	28-31	32-35	36-40	41-44	>44
40-44	<22	22-25	26-29	30-33	34-37	38-41	>41
45-49	<21	21-23	24-27	28-31	32-35	36-38	>38
50-54	<19	19-22	23-25	26-29	30-32	33-36	>36
55-59	<18	18-20	21-23	24-27	28-30	31-33	>33
60-65	<16	16-18	19-21	22-24	25-27	28-30	>30
60-65	<16	16-18	19-21	22-24	25-27	28-30	>30

## MUISTITIKKU

Muistitikulla ovat kaikki T-ROAD- ja T-MUSIC-harjoitukset sekä osa T-RIDE-harjoituksista.

 Muistitikulla olevat harjoitukset on mahdollista suorittaa ainoastaan muistitikun ollessa paikallaan mittarin liittimessä.

## INTERNET

### INTERNET-YHTEYDEN LUOMINEN

1. Aseta Wi-Fi painamalla Wi-Fi-painiketta.
2. Valitse joko luettelossa oleva verkko tai valitse manuaalinen asetus uuden verkkoyhteyden luomista varten.

Huomautus: Näyttö ei tue langattomia verkkoja, joiden SSID-tunnus on salattu.

3. Anna verkon nimi.
  4. Valitse suojaustyyppi (katso lisätietoja suojaustyypeistä langattoman tukiaseman tiedoista).
  5. Anna oikea turva-avain (salasana).
- Huomaa, että isot ja pienet kirjaimet huomioidaan.
6. Valitse yhteystila: manuaalinen tai automaattinen yhteys.

Jos yhteydessä on ongelmia, kysy internetpalveluntarjoajalta lisätietoja.

## VAROITUS:

Tarkista internetsopimuksesi. Sopimuksesta riippuen voit joutua maksamaan siirretyn tiedon määrän tai käyttöajan mukaan. Jos valitset automaattisen yhteyden, luodaan jatkuva yhteys, mikä voi aiheuttaa suuren käyttömäärän. Voit valita manuaalisen tilan yhteyden manuaalista valintaa varten. Katkaise Wi-Fi-yhteys kun lopetat harjoittelun, koska yhteys on aktiivinen myös lepoillassa. Tunturi ei ole vastuussa mistään internetyhteyden aiheuttamista kuluista. Toimitamme vain mahdollisuuden yhdistää verkkoon riippumatta kuluista.

## INTERNETIN KÄYTTÖ

Näytön selainta voidaan käyttää vain internetin selaamiseen. Tiedostoja voidaan ladata ja käyttää näytössä rajoitetusti (noin 80 Mb). Vain mediatiedostoja voidaan käyttää.

Huomioi, että tämä selain ei ole yhteensopiva Flash-videoiden kanssa eikä voi toistaa Flash-sisältöä.

## VASTUUVAPAUSLAUSEKE

Huomioi, että internetin käyttö (selaaminen ja lataaminen) sekä ulkoisten laitteiden käyttö (USB/iPod) voi aiheuttaa tiettyjä riskejä näytölle. Tunturi ei ole vastuussa vahingoista, jotka aiheutuvat internetin tai ulkoisten laitteiden käytöstä eikä niiden käytöstä seuraavista viruksista, vakoiluohjelmista tai haittaohjelmista. Käytä aina luotettuja verkkosivustoja ja tarkista ulkoiset laitteen virusten/vakoiluohjelmien/haittaohjelmien varalta ennen kuin käytät niitä näytön kanssa.

## OHJELMISTOPÄIVITYS

Pyrimme jatkuvasti parantamaan laatua. Tarkista säännöllisesti verkkosivustoltamme <http://www.tunturi.com>, onko näytön toimintoja ja suoritusnopeutta parantavia ohjelmistopäivityksiä saatavilla.

# HUOLTO


Laitteen huoltotarve on vähäinen. Tarkista kuitenkin aika ajoin kaikkien kiinnitysruuvien ja -muttereiden kireys.

- Kuivaa käyttöliittymä ja laitteen runko harjoituksen päätyttyä hikivedestä pehmeällä, imukykyisellä kankaalla. Älä käytä liuottimia.

Sähkömagneettijarrun toiminta perustuu magneettiseen vastukseen: vastustaso mitataan elektronisesti ja näytetään teholumemana (watt) käyttöliittymän näytöllä. Mittaustavasta johtuen laitetta ei tarvitse kalibroida, mikäli asennat, huollat ja käytät sitä tämän oppaan ohjeiden mukaisesti.

# KÄYTTÖHÄIRIÖT

Jatkuvasta laaduntarkkailusta huolimatta laitteessa saattaa esiintyä yksittäisistä komponenteista johtuvia yksilövikoja tai toimintahäiriöitä. Koko laitteen toimittaminen korjattavaksi on yleensä tarpeetonta, sillä vika on useimmiten korjattavissa ko. osan vaihdolla.

 **TÄRKEÄÄ!** Mikäli laitteen toiminnassa ilmenee häiriöitä käytön aikana, ota välittömästi yhteys laitteen myyjään. Ilmoita laitteesi malli ja sarjanumero (sarjanumerotarran sijainnin näet tämän käyttöohjeen etukannen sisäpuolelta). Ilmoita lisäksi häiriön luonne, laitteen käyttöympäristö sekä ostopäivämäärä.

Mikäli tarvitset laitteeseesi varaosia, ota yhteys laitteen myyjään. Ilmoita aina laitteen malli, sarjanumero sekä tarvittavan osan varaosnumero. Varaosaluettelon löydät tämän oppaan lopusta. Laitteessa saa käyttää vain varaosalistassa mainittuja osia.

## KULJETUS JA SÄILYTYS

---

Laitetta on helppo kuljettaa pitkin lattiaa kuljetuspyörien varassa työntäen. Siirrä aina laitetta seuraavan ohjeen mukaisesti, sillä väärä siirtotapa voi rasittaa selkää tai aiheuttaa vaaratilanteita.

Irrota laite virtalähteestä aina laitteen siirtämistä!

Asetu laitteen taakse. Aseta jalka laitteen takajalalle, tartu toisella kädellä istuimesta ja toisella käsituesta kiinni. Kallista laite takatukijalassa olevien kuljetuspyörien varaan. Siirrä laite haluamaasi paikkaan kuljetuspyörien varassa. Laske laite lattiaan pitäen kiinni käsituesta ja pysytellen koko ajan laitteen takana. Ota lattian suojaus huomioon myös laitetta siirtäessäsi.

Toimintahäiriöiden välttämiseksi säilytä laitetta mahdollisimman kuivassa ja tasalämpöisessä paikassa pölyltä suojattuna.

## TEKNISET TIEDOT


---

Pituus	99 cm
Leveys	70 cm
Korkeus	116 cm
Paino	46 kg

Tämä tuote täyttää sähkömagneettista yhteensopivuutta koskevan EU:n EMC-direktiivin (89/336/EEC) sekä pienjännitedirektiivin (73/23/EEC) vaatimukset. Tuote on varustettu sen mukaisesti CE-merkinnällä.

Tämä tuote täyttää CEN-tarkkuus- ja turvanormien vaatimukset (Luokka SA, EN-957, osat 1 ja 5).

Oikeudet muutoksiin pidätetään.

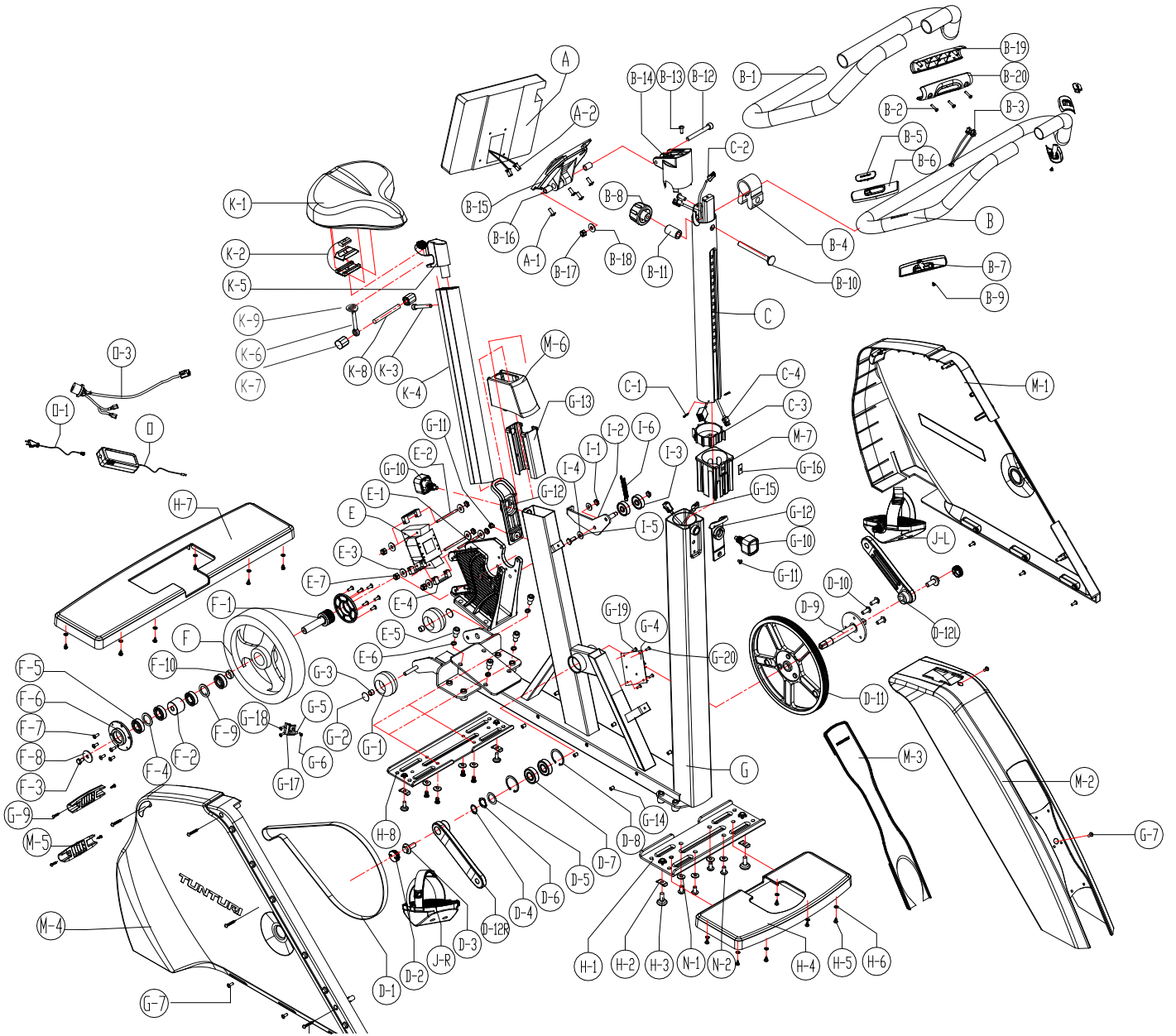
 **TÄRKEÄÄ!!** Ohjekirjan tietoja kuntolaitteen asennuksessa, käytössä tai huollossa on syytä noudattaa erittäin huolellisesti. Takuu ei korvaa vahinkoja, jotka ovat aiheutuneet tässä ohjekirjassa mainittujen asennus-, säätö- tai huolto-ohjeiden laiminlyönneistä. Mikäli laitteelle tehdään muita kuin Accell Fitness:n neuvomia ja nimenomaisesti hyväksymiä toimenpiteitä, laitetta ei saa käyttää!

**TOIVOTAMME SINULLE MIELLYTTÄVIÄ HARJOITUSHETKIÄ TUNTURIHARJOITUSKUMPPANISI KANSSA.**



# E90 EXPLODED VIEW

12TUE90x00



## PARTS LIST

A	MONITOR	1	G	MAIN FRAME	1
O	TRANSFORMER 26V, 3,47A	1	G-1	TRANSPORTATION WHEEL	2
O-1	AC CORD	1	G-2	SNAP LOCKING	2
O-3	MONITOR CABLE, LOWER	1	G-3	SLEEVE	2
C-4	MONITOR CABLE, UPPER	1	G-4	CONTROL BOARD	1
A-1	SCREW, M4 x 12L	4	G-5	SENSOR + WIRE	1
A-2	CONNECTOR FOR HAND PULSE	2	G-6	SCREW M4x10L	1
B	HADLEBAR SET	1	G-7	SCREW M5x14L	8
B-1	FOAM GRIP	2	G-8	SCREW M4x50L	3
B-2	SCREW, M3x20L	3	G-9	SCREW M4x14L	4
B-3	HAND PULSE WIRE	1	G-10	SEAT TUBE LOCKING KNOB	2
B-4	HANDLE BAR TIGHTENER	1	G-11	SCREW M5x8L	2
B-5	HAND PULSE SENSOR (UP)	2	G-12	RELEASE SWITCH	2
B-6	HAND PULSE	4	G-13	SEAT TUBE SLEEVE (PAIR)	1
B-7	HAND PULSE SENSOR (DOWN)	2	G-14	SCREW THREAD	6
B-8	LOCKING KNOB	1	G-15	CABLE WIRE (LOWER)	1
B-9	SCREW, M3.5x12L	2	G-16	LOCKING PLATE	
B-10	CARRIAGE BOLT, M8xP1.25x75L	1	G-17	MAGNET	1
B-11	BUSHING	1	G-18	SCREW M4X12L	2
B-12	SCREW M6x46 DIN 912	1	G-19	ISOLATED COLUMN	3
B-13	SCREW M5x14 DIN 7985	2	G-20	SCREW M4x20L	1
B-14	MONITOR SOCKET SEAT	1	H-1	FRONT FOOT PLATE	1
B-15	MONITOR SOCKET	1	H-2	WASHER FOR ADJUSTING CUSHION	4
B-16	BUSHING	2	H-3	ADJUSTING CUSHION	4
B-17	NYLON NUT M6 DIN 985	1	H-4	FRONT FOOT COVER 1	
B-18	FLAT WASHER M6 DIN 125	1	H-5	SCREW M4x14L	4
B-19	CONNECTING PART, PAIR	1	H-6	SCREW	4
B-20	CONNECTING PART	1	H-7	REAR FOOT COVER	1
C	HANDLE BAR POST	1	H-8	FRONT FOOT PLATE	1
C-1	SCREW, M3x8L	2	I	BELT TIGHTENER SET (incl. 79-87)	1
C-2	METER CABLE (UPPER)	1	I-1	NYLON NUT M8 DIN 985	2
C-3	HANDLEBAR TUBE END CAP	1	I-2	BELT TIGHTENER FRAME	1
D-1	BELT	1	I-3	PULLEY FOR BELT TIGHTENER	1
D-2	SCREW-PLUG	2	I-4	FLAT WASHER	2
D-3	CRANK SCREW M8xP1.0x20L	2	I-5	SCREW M8xP1.25x25L	1
D-4	LOCKING RING	1	I-6	SPRING	1
D-5	WASHER	1	J	PEDAL, PAIR	1
D-6	CURVED WASHER	1		PEDAL STRAP, PAIR	2
D-7	BEARING 6203 2Z	2	K-1	SEAT	1
D-8	LOCKING RING	2		SEAT LOWER COVER	1
D-9	DRIVE PULLEY AXLE	1	K-2	SEAT FIXED CLAMP, SET	1
D-10	SCREW	3	K-5	SEAT CLAMP	1
D-11	DRIVE PULLEY	1	K-3	LOCKING SCREW	1
D-12	CRANK (R)	1	K-4	SEAT TUBE	1
	CRANK (L)	1	K-6	SCREW M8 x 60L	1
E	EL. MAGNET+WIRE	1	K-7	END PLUG	2
E-1	EMS FLYWHEEL HOLDER	1	K-8	LOCKING BAR	1
E-2	SCREW M5xP0,8x80L (DIN 835)	3	K-9	WASHER	1
E-3	FLAT WASHER M5 DIN 125A	6	M-1	SIDE COVER, LH	1
E-4	FIXING PIECE	3	M-2	FRONT COVER	1
E-5	SCREW M10xP1.5x20 DIN 912	4	M-3	FRONT PLATE	1
E-6	SPRING WASHER M10 DIN 127	4	M-4	SIDE COVER, RH	1
E-7	SCREW NUT M5 DIN 934	6	M-5	SIDE COVER END PLUG	2
F	FLYWHEEL SET	1	M-6	SEAT TUBE COVER	1
F-1	PULLEY AXLE	1	M-7	HANDLEBAR POST SLEEVE	1
F-2	ONE-WAY BEARING SET	1	N-1	FLAT WASHER	8
F-3	SCREW	1	N-2	SCREW	8
F-4	WASHER	2			
F-5	BEARING 6003RS	4			
F-6	BEARING HOUSE	2			
F-7	SCREW KB 40x14 WN 1412	10			
F-8	FLAT WASHER	1			
F-9	FLAT WASHER	1			
F-10	BUSHING	1			

**TUNTURI**<sup>®</sup>

**Benelux**  
Accell Fitness Benelux  
PO Box 60001  
1320 AA Almere  
The Netherlands  
Tel: +31 36 5460050  
Fax: + 31 36 5460055

**[www.accellfitness.com](http://www.accellfitness.com)**  
**[www.tunturi.com](http://www.tunturi.com)**